

# INSTALLATION INSTRUCTIONS

Item # 6271 (Rev. 06/01/0012)

## READ AND SAVE THESE INSTRUCTIONS

**WARNING! SHUT POWER OFF AT FUSE OR CIRCUIT BREAKER.**

**AVERTISSEMENT! COUPER LE COURANT AU NIVEAU DES FUSIBLES OU DU DISJONCTEUR.**

### MOUNTING THE FIXTURE (Fig. 1 & 2)

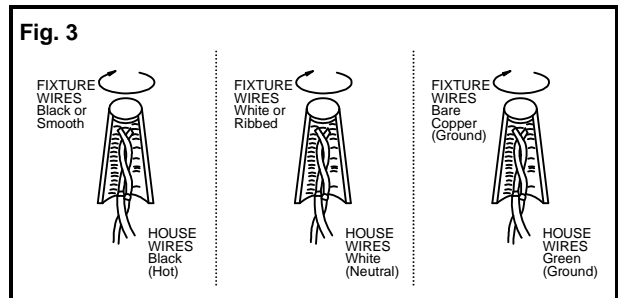
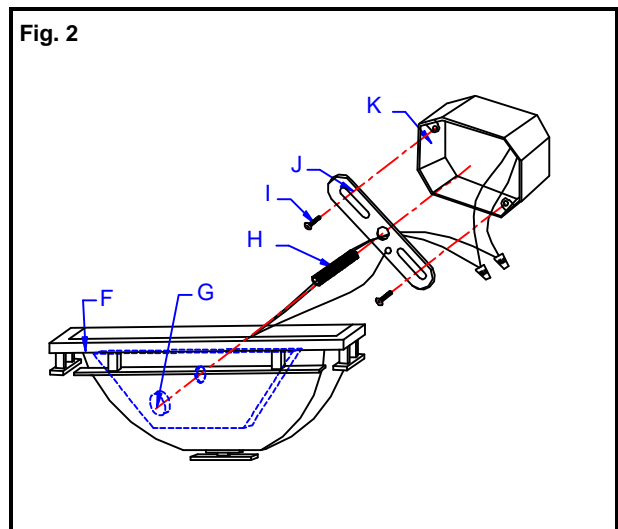
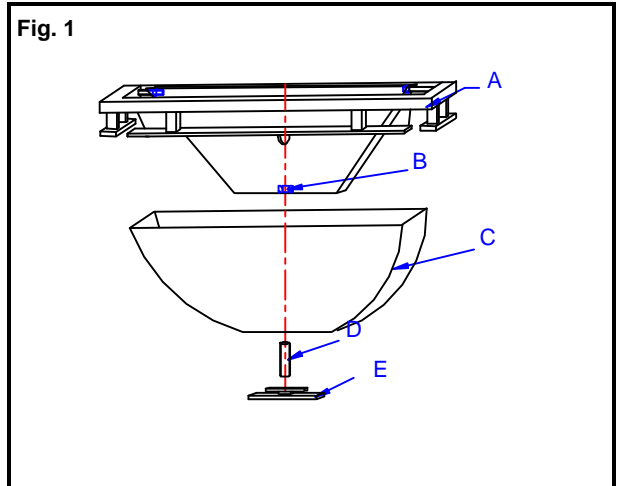
1. Shut off power at the circuit breaker and remove old fixture from ceiling, including the crossbar.
2. Carefully unpack your new fixture and lay out all the parts on a clear area. Take care not to lose any small parts necessary for installation.
3. Thread Stud (D) into Finial (E).
4. Insert Glass Shade (C) into Light Cluster Assembly (A).
5. While holding Glass Shade, insert Finial Assembly (D+E) into Coupling (B) through the center hole of Glass Shade, and then screw them with Coupling (B). So, the cluster assembly (A+B+C+D+E) is called Fixture Body (F) as shown in Fig. 2
6. Secure Crossbar (J) using two Screws (I) to the Outlet Box (K). The side of the Crossbar marked "GND" must face out.
7. Screw Stud (H) into the screw hole of Crossbar (J).
8. Place Fixture Body (F) into Stud (H) and secure it tightly using Cap Nut (G) through the hole of back plate.

### CONNECTING THE WIRES (Fig. 3)

9. Connect the electrical wires as shown in Fig. 3, making sure that all wire connectors are secured. If your outlet has a ground wire (green or bare copper), connect the fixture's Ground Wire to it. Otherwise, connect the fixture's Ground Wire directly to the crossbar using the Green Screw provided.
10. Install the light bulb in accordance with the fixture's specifications. **(DO NOT EXCEED THE MAXIMUM WATTAGE RATING!) (NE PAS DEPASSER LA PUISSANCE NOMINALE MAXIMALE!)**

Your installation is now complete. Return power to the outlet box and test the fixture.

**Note: Illustration (Fig. 1) on this manual is for installation purposes only. It may or may not be identical to the fixture purchased.**



MIN 75°C SUPPLY CONDUCTORS

