

INSTALLATION INSTRUCTIONS

01/05/2005

WARNING! SHUT POWER OFF AT FUSE OR CIRCUIT BREAKER.

MOUNTING THE BACKPLATE (Fig.1)

1. Carefully unpack your new fixture and lay out all the parts on a clear area. Take care not to lose any small parts necessary for installation.
2. Shut off the power at the circuit breaker and remove old fixture, including the mounting hardware.
3. Attach Crossbar (B) to the Outlet Box (A) using the two Screws (C). The side of the Crossbar marked "GND" must face out.
4. Thread Nipple (D) part way into the center hole of the Crossbar.

CONNECTING THE WIRES (Fig. 2)

5. At this point, connect the electrical wires as shown in (Fig.2), making sure that all wire connectors are secured. If your outlet has a ground wire (green or bare copper) connect fixture's Ground Wire to it. Otherwise, connect fixture's Ground Wire directly to the Crossbar using the Green Screw provided. After wires are connected, tuck them carefully into the Outlet Box.

MOUNTING FIXTURE AND SHADE (Fig.1)

6. Place Fixture Body (F) over the Nipple (D) and secure it against the wall using Knurled Cap (G).
7. Make sure the holes in Glass Shade (H) line up with the hole on the side of the fixture body. Secure them by using Screw (E) as shown in Fig.1.
8. Install light bulbs in accordance with fixture specifications, **(DO NOT EXCEED THE MAXIMUM WATTAGE RATING!!)**

Your installation is now complete. Return power to the junction box and test the fixture.

Note: Illustration (Fig. 1) on this manual is for installation purposes only. It may or may not be identical to the fixture purchased.

Fig. 1

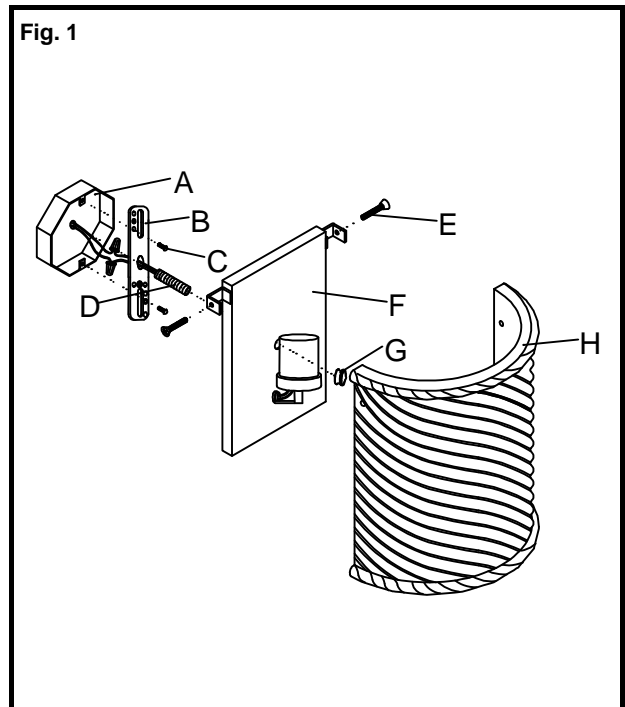


Fig. 2

