

INSTALLATION INSTRUCTIONS

For Model #663-PL

READ AND SAVE THESE INSTRUCTIONS

WARNING! SHUT POWER OFF AT FUSE OR CIRCUIT BREAKER.

AVERTISSEMENT! COUPER LE COURANT AU NIVEAU DES FUSIBLES OU DU DISJONCTEUR.

NOTE

Turn off the main power at the circuit breaker before installing the fixture, in order to prevent possible shock.

GENERAL

All electrical connections must be in accordance with local and national electrical code (N.E.C) standards. If you are unfamiliar with proper electrical wiring connections obtain the services of a qualified electrician.

Carefully unpack your new fixture and lay out all the parts in a clear area. Take care not to lose any small parts necessary for installation.

ASSEMBLY AND INSTALLATION

1. Turn off the power.
2. Remove the NUTS (11) from one of the END CAP (10). Then take the END CAP (10) out and pull the ACRYLIC LENS (14) out from the other end of END CAP (10).
3. Pull the supply wires and house ground wire out from the OUTLET BOX (1).
4. Loosen the 2 COPPER NUTS (9) on the FIXTURE BODY (7). Then take the BACK PANEL (3) out from the FIXTURE BODY (7).
5. Position the BACK PANEL (3) over the OUTLET BOX (1). Mark the location of the two keyhole slots located on the BACK PANEL (3). Be sure to mark only the narrow part of the keyhole slots. Remove the BACK PANEL (3) from the ceiling. Drill the two holes using the appropriately sized drill bit. Insert the provided Ceiling ANCHORS (2) into the holes.
6. Put all the fixture wires through BACK PANEL (3).
7. Make the wiring connections: connect the white supply wire to the white fixture wire; connect the black supply wire to the black fixture wire; connect the house ground wire to the fixture ground wire using wire connector (PROVIDED). Carefully tuck all wires back into the OUTLET BOX (1). **(See Fig.2)**
8. Locate the BACK PANEL (3) over the OUTLET BOX (1); put the MOUNTING SCREWS (5) (SIZE: #8-32*0.75"L) through the slots on the BACK PANEL (3). Then secure the MOUNTING SCREWS (5) (Size: #8-32*0.75"L) to the OUTLET BOX (1) tightly. Secure the ANCHOR SCREWS (4) to the ANCHORS (2).
9. Put the FIXTURE BODY (7) over the BACK PANEL (3) through the SCREWS (6) and secure it by 2 COPPER NUTS (9).
10. Now you are ready to install the LAMP (13). Do not exceed recommended maximum wattage. (NE PAS DEPASSER LA PUISSANCE NOMINALE MAXIMALE)
11. Insert the ACRYLIC LENS (14) to one end of the END CAP (10). Then put the other end cap through the SCREWS (8) and secured by the NUTS (11).
12. The color correlated Temperature (CCT) for replacing the enclosed lamp is (2700K).

INSTALLATION IS NOW COMPLETED

The ballast in each of these models can be replaced by a qualified electrician without cutting of wires and without damage to the housing, trim, decorative elements or carpentry to which the fixture is attached. See installation steps for more detail.

FIG 1.

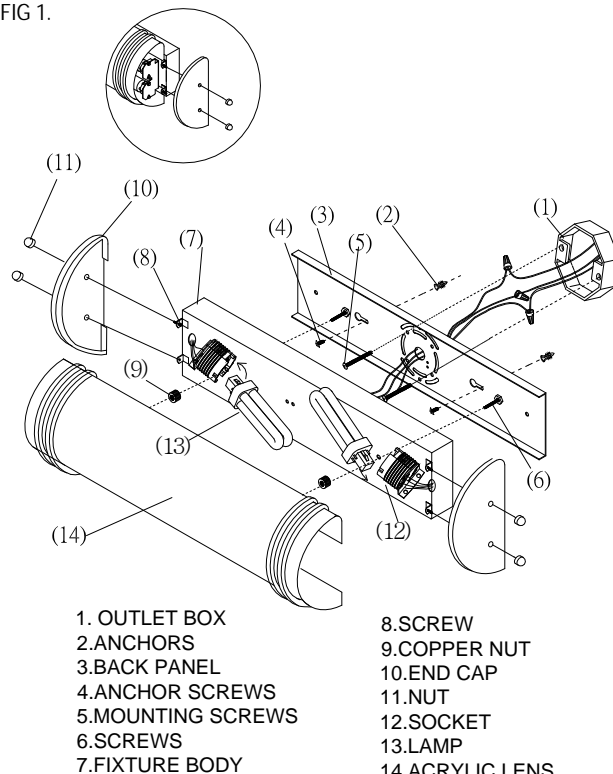
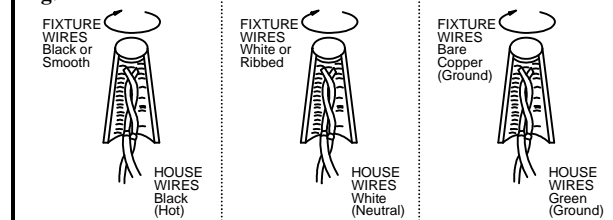


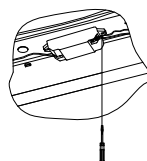
Fig. 2



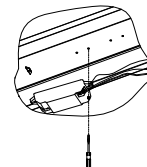
LIMITED 3 YEAR WARRANTY

This Fixture is covered by a Limited 3 year Warranty from the Manufacturer, effective from the date of purchase. This fixture is warranted against defects in the quality of the housing, trims, diffuser, shades, and electrical components. Fixture finishes and/or lamps (bulbs) are expressly excluded from this warranty; refer to bulb manufacturer for lamp warranty.

Contains Mercury (Hg) Dispose of according to Local, State and Federal Law. (www.epa.gov/bulbrecycling)



Use screw driver to loosen the ballast screw and take it out of fixture pan.



Insert the Ballast and then secure it by tightening two screws on each side.

