

# INSTALLATION INSTRUCTIONS

For Model #1020-PL

READ AND SAVE THESE INSTRUCTIONS

**WARNING! SHUT POWER OFF AT FUSE OR CIRCUIT BREAKER.**

**AVERTISSEMENT! COUPER LE COURANT AU NIVEAU DES FUSIBLES OU DU DISJONCTEUR.**

## CAUTION

Turn off the main power at the circuit breaker before installing the fixture, in order to prevent possible shock.

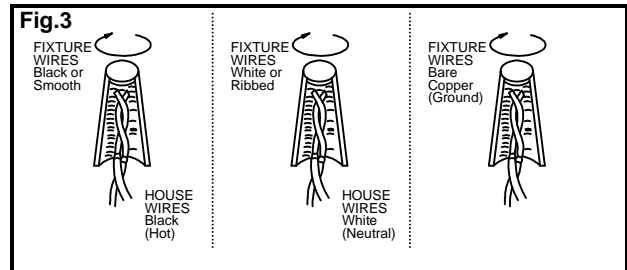
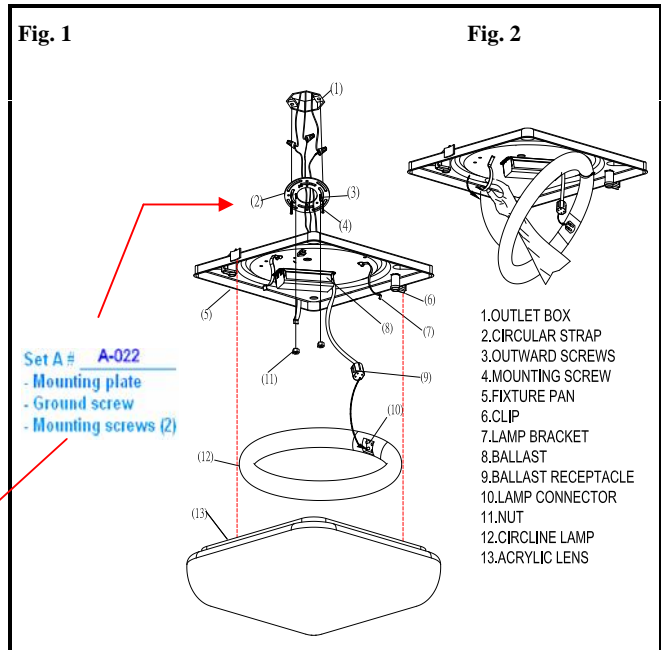
## GENERAL

All electrical connections must be in accordance with local and national electrical code (N.E.C) standards. If you are unfamiliar with proper electrical wiring connections obtain the services of a qualified electrician.

Carefully unpack your new fixture and lay out all the parts in a clear area. Take care not to lose any small parts necessary for installation.

## ASSEMBLY AND INSTALLATION

1. Turn off the power.
2. Take the Acrylic Lens (13) off of the Fixture Pan (5) by turning the two Clips (6) outward. Take 22W circline lamp out of the Cardboard.
3. Pull the supply wires and the house ground wire out from the Outlet Box (1).
4. Install the Circular Strap (2) to the Outlet Box (1) by using two Mounting Screws (4). (Size: #8-32\*0.75"L) (Note: The side of the circular strap marked "GND" must face out).
5. Make the wiring connections: connect the white supply wire to the white fixture wire; connect the black supply wire to the black fixture wire; connect the house ground wire to the fixture ground wire using wire connectors. **(See Fig.3.)**
6. Carefully tuck all wires back into the Outlet Box (1). Locate the Fixture Pan (5) over the Circular Strap (2) through the 2 Outward Screws (3) and secure it by tightening two Nuts (11).
7. Now you are ready to install the Lamp. Attach the Ballast Receptacle (9) to the 22W Lamp Connector (10). Attach the 22W Circline Lamp (12) to the Fixture Pan (5) by pulling a Lamp Bracket (7) backward and inserting the 22W Circline Lamp (12). Pull back the remaining Lamp Brackets (7) and insert the 22W Circline Lamp (12). **(See Fig.2)**
8. Put the Acrylic Lens (13) over the Fixture Pan (5) and secure it by turning the two Clips (6) inward.
9. The color correlated Temperature (CCT) for replacing the enclosed lamp is (2700K).



Contains Mercury (Hg) Dispose of according to Local, State and Federal Law. ([www.epa.gov/bulbrecycling](http://www.epa.gov/bulbrecycling))



Use screw driver to loosen the ballast screw and take it out of fixture pan.



Insert the Ballast and then secure it by tightening two screws on each side.

## INSTALLATION IS NOW COMPLETED

The ballast in each of these models can be replaced by a qualified electrician without cutting of wires and without damage to the housing, trim, decorative elements or carpentry to which the fixture is attached. See installation steps for more detail.