

INSTALLATION INSTRUCTIONS

For Model #1021-PL

READ AND SAVE THESE INSTRUCTIONS

WARNING! SHUT POWER OFF AT FUSE OR CIRCUIT BREAKER.

AVERTISSEMENT! COUPER LE COURANT AU NIVEAU DES FUSIBLES OU DU DISJONCTEUR.

CAUTION

Turn off the main power at the circuit breaker before installing the fixture, in order to prevent possible shock.

GENERAL

All electrical connections must be in accordance with local and national electrical code (N.E.C) standards. If you are unfamiliar with proper electrical wiring connections obtain the services of a qualified electrician.

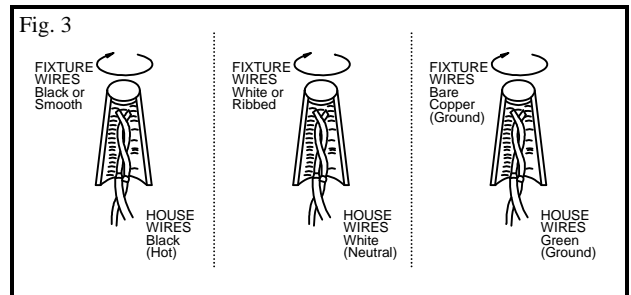
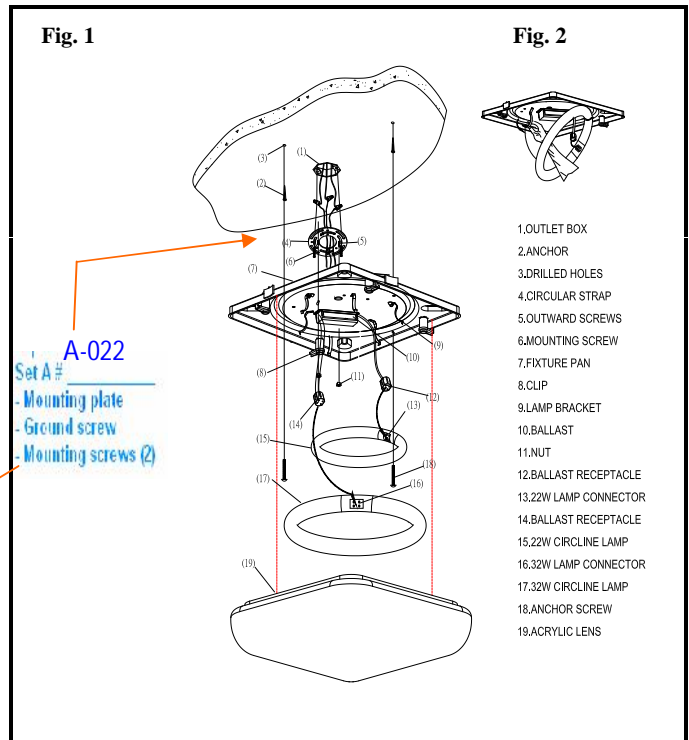
Carefully unpack your new fixture and lay out all the parts in a clear area. Take care not to lose any small parts necessary for installation.

ASSEMBLY AND INSTALLATION

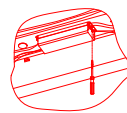
1. Turn off the power.
2. Take the Acrylic Lens (19) off of the Fixture Pan (7) by turning the four Clips (8) outward. Take 22W and 32W circline lamps out of the Cardboard. Please note the 22W lamp is packed inside of 32W cardboard.
3. Pull the supply wires and the house ground wire out from the Outlet Box (1).
4. Install the Circular Strap (4) to the Outlet Box (1) by using two Mounting Screws (6). (Size: #8-32*0.75"L) (Note: The side of the Circular Strap marked "GND" must face out)
5. Position your Fixture over the Outlet Box (1). Mark the location of the two keyhole slots located on the Fixture Pan (7) to the ceiling. Be sure to mark only the narrow part of the Keyhole Slot. Remove the Fixture Pan (7) from the ceiling. Drill the two Holes (3) using an appropriately sized drill bit. Insert the provided ceiling Anchors (2) into the holes.
6. Make the wiring connections: connect the white supply wire to the white fixture wires; connect the black supply wire to the black fixture wires; connect the house ground wire to the fixture ground wire using wire connectors. **(See Fig.3.)**
7. Carefully tuck all wires back into the Outlet Box (1). Locate the Fixture Pan (7) over the Circular Strap (4) through the 2 Outward Screws (5) and secure it by tightening two Nuts (11).
8. Feed the two Anchor Screws (18) through the two keyholes slot on the fixture body. Tighten the Anchor Screws (18) into the Anchors (2).
9. Now you are ready to install the Lamps. (Note: The ballast is designated for use with 22W and 32W circline lamps.) Attach one of the Ballast Receptacle (12) to the 22W Lamp Connector (13). Attach the 22W Circline Lamp (15) to the Fixture Pan (7) by pulling a Lamp Bracket (9) backward and inserting the 22W Circline Lamp (15). Pull back the remaining Lamp Brackets (9) and insert the 22W Circline Lamp (15). **(See Fig.2.)**
10. Attach the 32W Circline Lamp (17) to the fixture by repeating Step 9 using the other Ballast Receptacle (14).
11. Put the Acrylic Lens (19) over the Fixture Pan (7) and secure it by turning the four Clips (8) inward.
12. The color correlated Temperature (CCT) for replacing the enclosed lamp is (2700K).

INSTALLATION IS NOW COMPLETED

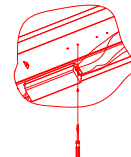
The ballast in each of these models can be replaced by a qualified electrician without cutting of wires and without damage to the housing, trim, decorative elements or carpentry to which the fixture is attached. See installation steps for more detail.



Contains Mercury (Hg) Dispose of according to Local, State and Federal Law. www.epa.gov/bulbrecycling



Use screw driver to loosen the ballast screw and take it out of fixture pan.



Insert the Ballast and then secure it by tightening two screws on each side.

