

INSTALLATION INSTRUCTION FOR 4368

**WARNING! SHUT POWER OFF AT FUSE OR CIRCUIT BREAKER .
AVERTISSEMENT! COUPER LE COURANT AU NIVEAU DES FUSIBLES OU DU DISJONCTEUR.**

READ AND SAVE THESE INSTRUCTIONS

ASSEMBLING THE FIXTURE (Fig. 2)

1. Carefully remove the fixture from the carton and check that all parts are included as shown in the illustration.
2. Thread the rod (K) onto the nipple (L).
3. Place the glass (R) into the fixture iron frame (S).

HANGING THE FIXTURE (Fig. 1)

4. Shut off the power at the circuit breaker and remove old fixture from ceiling, including the mounting bar.
5. Thread the nipple (E) into the screw collar (H) until snug.
6. Thread hex nut (D) onto nipple (E). Place lock washer (C) over end of nipple (E) protruding through mounting bar (A) and until tight.
7. Thread other end of nipple (E) with loop attached into mounting bar (A) until snug.
8. Take this mounting bar (A) assembly and mount to ceiling junction box with junction box screws (B). Tighten screws securely with screwdriver.
9. Using proper chain pliers open one link of chain (I) and connect it to the fixture loop (J).
10. By measuring, determine connect number of links needed for proper hanging height.
11. Lace the fixture wires through the chain links, Slip screw collar ring (G) over the chain, then do the same with the canopy (F).
12. Open one link of the other end of the chain (I) and connect it to the ceiling loop (H). (FIG.2)
13. Feed the fixture wires through the ceiling loop (H) and nipple (E) and pull until taut.

CONNECTING THE WIRES (Fig. 3)

14. At this point, connect the electrical wires as shown in (Fig. 3) making sure all wire nuts are secured. You may have to wrap the connections with electrical tape. If your outlet has a ground wire (green or bare copper) connect fixture's ground wire to it. Otherwise connect fixture's ground wire directly to the mounting bar (A) using the green screw provided.
15. Tuck these wire connections neatly into the ceiling junction box and then raise the canopy (F) all the way to the ceiling. Raise the screw collar ring (G) and thread onto fixture loop (H) protruding through canopy (F). (Fig.1)
16. Install the light bulbs in accordance with the fixture's specification:

**(DO NOT EXCEED THE MAXIMUM WATTAGE RATING!)
(NE PAS DEPASSER LA PUISSANCE NOMINALE MAXIMALE!)**

17. Carefully raise fixture iron frame (S) with glass (R) installed, up and over the inner fixture body. The loop (P) of arm (O) will engage hook (Q) of the fixture iron frame (S). Then attach upper end of The arm (O) to hub (M) with the screws (N).

Repeat for all three arms.

18. Return power to the junction box and test the fixture.
Your installation is now complete.

Fig.2

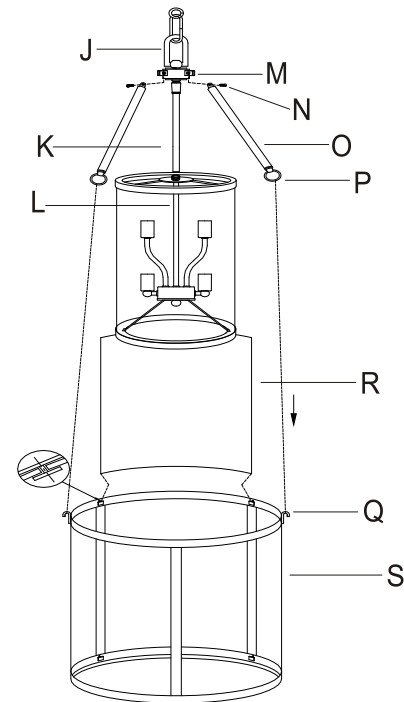


Fig.1

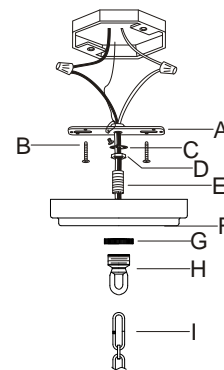
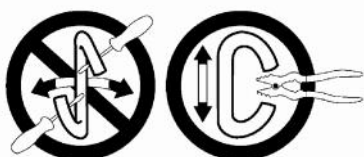
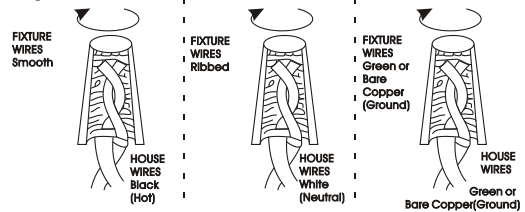


Fig.3



Notice: It is important to use proper chain pliers (not included) To OPEN and CLOSE the chain included with this fixture. Do not open them with other tools that may twist or stress the chain links. It is important to use proper chain pliers like the ones shown in the diagram.

