

# Swing Head (LED)

HD503\_LEDJS I.1



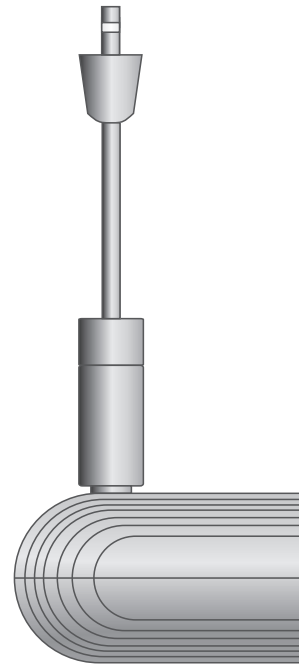
## GENERAL PRODUCT INFORMATION:



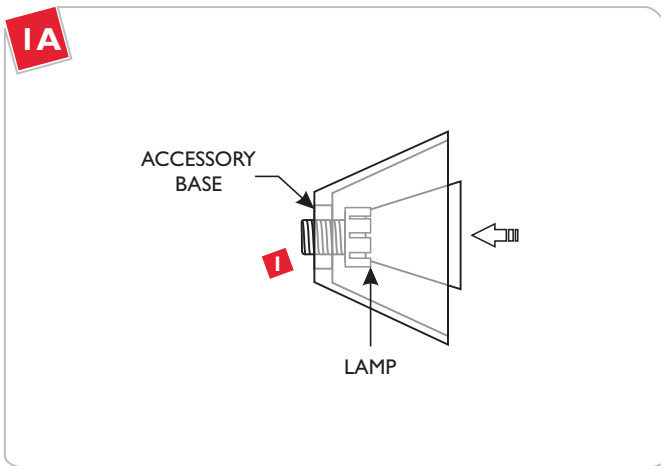
This product is suitable for indoor dry locations only.

### CAUTION - RISK OF FIRE

This product requires installation by a qualified electrician. Before installing be sure to read all instructions and **TURN THE POWER TO THE ELECTRICAL BOX OFF.**

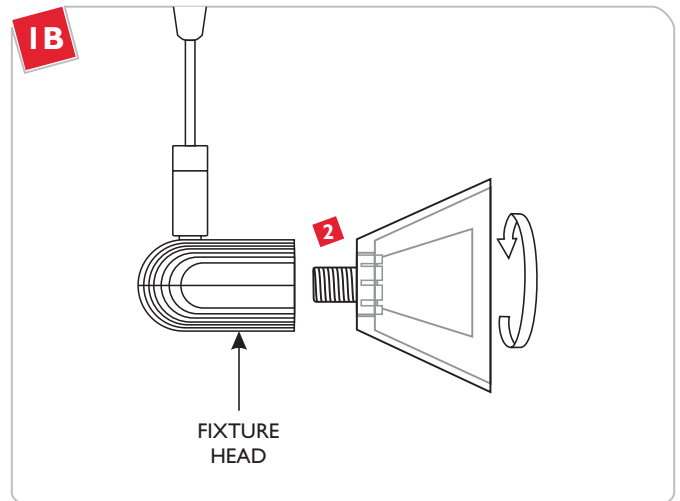


## Replacing the Lamp



**CAUTION:** To reduce the risk of a burn or electric shock during relamping, disconnect the power to the fixture.

1 Push the lamp into the accessory base.



The lamp is rated to draw 5.8 watts at 12 volts.

2 Screw the lamp into the fixture head.

**SAVE THESE INSTRUCTIONS!**



7400 Linder Ave, Skokie, IL 60077  
800.323.3226 - 847.626.6300

**[www.lblighting.com](http://www.lblighting.com)**

© 2008 LBL Lighting. All rights reserved. The "LBL Lighting" graphic is a registered trademark of LBL Lighting. LBL Lighting reserves the right to change specifications for product improvements without notification.

A Generation Brands Company