

INSTALLATION INSTRUCTIONS

Item#P963-077 (New. 11/22/2012)

READ AND SAVE THESE INSTRUCTIONS

WARNING! SHUT POWER OFF AT FUSE OR CIRCUIT BREAKER.
AVERTISSEMENT! COUPER LE COURANT AU NIVEAU DES FUSIBLES OU DU DISJONCTEUR.

ASSEMBLING THE FIXTURE (Fig. 1)

1. Shut off power at the circuit breaker and remove the old fixture including the mounting hardware.
2. Carefully unpack your new fixture and lay out all parts on a clear area. Take care not to lose any small parts necessary for installation.
3. Determine the desired hanging height and if necessary, cut the cord leaving an additional 5" to allow for electrical connection.
4. Install the strain relief bushing (F) by removing screw (J) from bushing (I) and pushing the cord through the center of bushing (I) and strain relief (N) until about 5" of the cord is exposed.
5. Secure the cord into strain relief (N) and bushing (I) by tightening screw (J). The fixture may now hang from the strain relief (N).
6. Carefully cut and remove approximately 4" of the outer sheathing from the cord and strip 1/2" of the wire ends bare to expose the copper strands.
7. Position the mounting plate (B) on the ceiling, and mark the location of the three drywall anchors (D). Pre-drill the holes for the drywall anchors (D) and insert the drywall anchors (D) into the wall.
8. Attach the mounting plate (B) to the outlet box (A) with mounting screws (C) (Size: #8-32N*L0.5"). The side of the mounting plate marked "GND" must face out.
9. Place the woodscrews (E) through the mounting plate and into the drywall anchors (D) to secure the Mounting Plate (B) to the ceiling.

CONNECTING THE WIRES (Fig. 2)

10. At this point, connect the electrical wires as shown in Fig. 2, making sure that all wire connectors are secured. If your outlet has a ground wire (green or bare copper), connect the fixture's ground wire to it. Otherwise, connect the fixture's ground wire directly to the Mounting Plate (B) using the green screw provided.

COMPLETING THE INSTALLATION (Fig. 1)

11. Place canopy (G) over mounting plate (B) and secure with screws (H).
12. Align the holes on the metal Frame (L) and Glass shade (M) to socket Cup (N), then secure them with studs (K).
13. Install the light bulbs (not included) in accordance with the fixture specifications. **(DO NOT EXCEED THE MAXIMUM WATTAGE RATING!) (NE PAS DEPASSER LA PUISSANCE NOMINALE MAXIMALE!)**

Your installation is now complete. Return power to the outlet box and test the fixture.

Note: Illustration (Fig.1) on this manual is for installation purposes only. It may or may not be identical to the fixture purchased.

Fig. 1

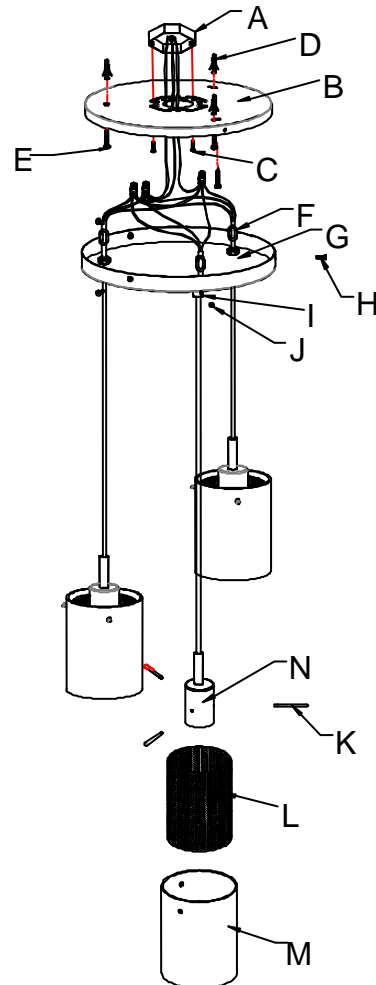
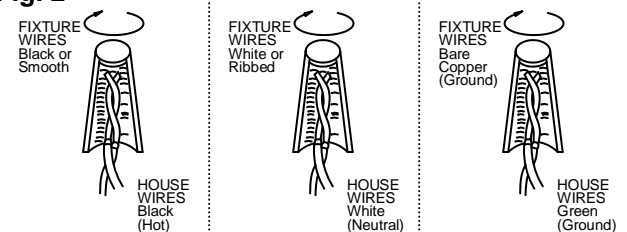


Fig. 2



IMPORTANT: FIXTURE SHOULD BE INSTALLED BY A QUALIFIED ELECTRICIAN TO ENSURE PROPER WIRING AND INSTALLATION.

