

INSTALLATION INSTRUCTION CM-8

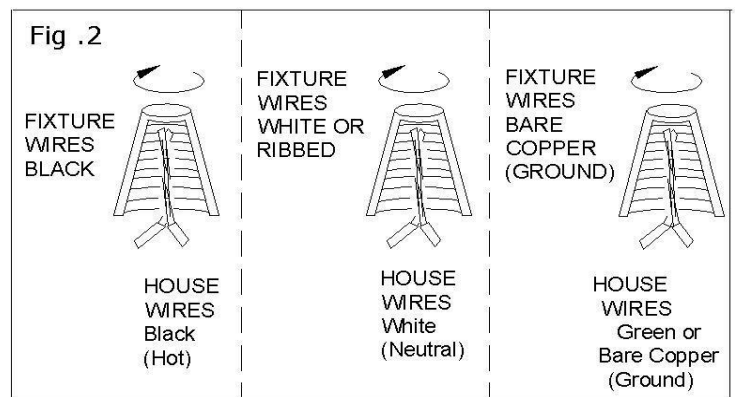
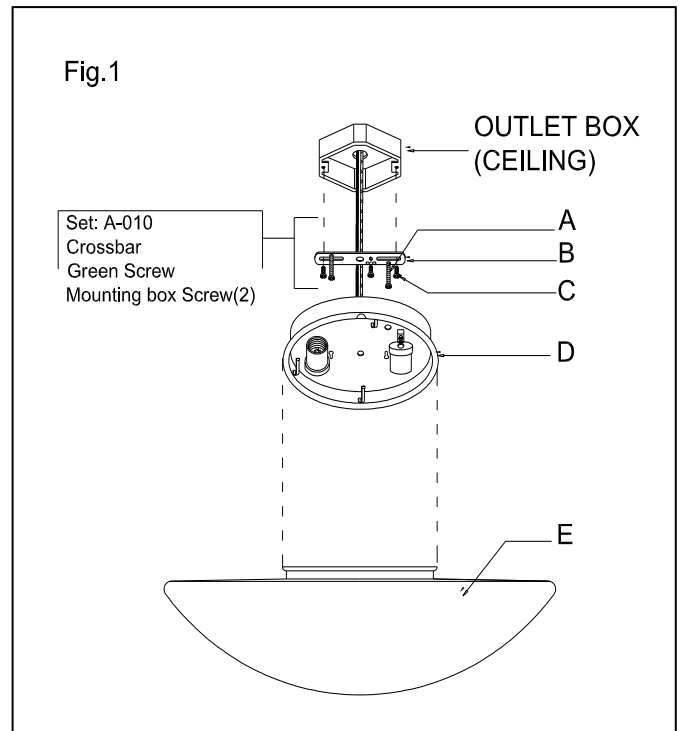
For Flush Mount Ceiling Fixtures

WARNING! SHUT POWER OFF AT FUSE OR CIRCUIT BREAKER BEFORE INSTALLATION

AVERTISSEMENT! COUPER LE COURANT AU NIVEAU DES FUSIBLES OU DU DISJONCTEUR

MOUNTING THE FIXTURE

1. Shut off the power at the circuit breaker box (avertissement! couper le courant au niveau des fusibles ou du disjoncteur) and remove the old fixture, including the mounting hardware..
 2. Carefully unpack your new fixture and lay out all the parts on a clear area. Take care not to lose any small parts necessary for installation.
 3. Thread the two Mounting Screws (A) about 1/4" into the pre-drilled holes in the Crossbar (B)(part#A-010) spaced the same distance apart as the holes in the fixture (D).
 4. Attach the Crossbar (B) to the Outlet Box using the two Screws (C)(size:8-32*1/2"L) from the Outlet Box. The side of the Crossbar marked "GND" must face out.
 5. Hold the fixture (D) towards the crossbar and then secure the fixture to the crossbar with the two screw (A) provided. (see Fig.1) connect the electrical wires as follows. Connect the black wire from the fixture to the black house (hot) wire; Connect the white wire From the fixture to the white house (neutral) wire. Make sure all wire nuts are secured. You may wrap the connections with electrical tape. If your outlet has a ground wire (green or bare copper), connect fixture's ground wire to it. Otherwise connect fixture's ground wire directly to the crossbar using the green screw provided. Tuck the wire connections neatly into the ceiling junction box as you hold the fixture (D) assembly toward the ceiling. (See Fig.2)
 6. Finish mounting the fixture (D) by placing it over both Mounting Screws (A) so that it protrude through the "Keyholes" in the bottom of the fixture (D). Rotate the fixture (D) until the screws are in the slots of the "Keyholes" and tighten it with a screwdriver.
 7. Install the light bulbs in accordance with the fixture's specifications. **DO NOT EXCEED THE MAXIMUM WATTAGE RATING!** (NE PAS DEPASSER LA PUISSANCE NOMINALE MAXIMALE!)
 8. Mount the glass shade (E) into the fixture (D) by push in the glass shade (E).
- Your installation is now complete. Return power to the junction box and test the fixture.



MIN 75°C SUPPLY CONDUCTORS

