

Installation Instructions

For Portable Lamp
Model # P4354-603

WARNING

- Risk of shock, do not plug in the unit before assembly.
- Do not exceed the maximum wattage rating. (NE PAS DEPASSER LA PUISSANCE NOMINALE MAXIMALE!)

- Before you begin assembly of your new fixture, please follow the instruction manual step by step.

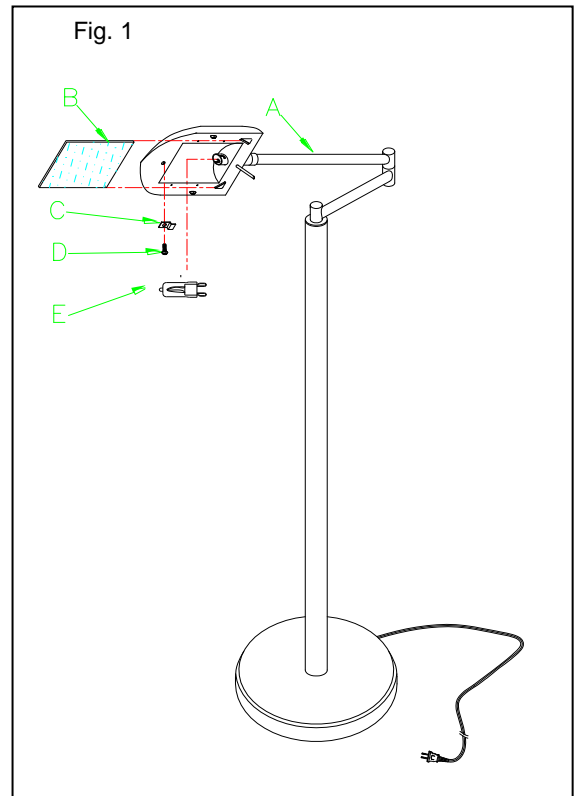
ASSEMBLY

1. Place all parts on a smooth, flat surface to protect the finish until ready to install.
2. Install the light bulb (E) (G9 40W XENON BULB included) in accordance with the lamp's specifications. **(DO NOT EXCEED THE MAXIMUM WATTAGE RATING) (NE PAS DEPASSER LA PUISSANCE NOMINALE MAXIMALE!)**
3. Align protective glass (B) under the tabs on the reflector and secure with clip (C) and screw (D) (Size: #5-32N*L0.3") .

SAVE THESE INSTRUCTIONS

(Date: MAR.28,2013)

MADE IN CHINA



INSTRUCTIONS PERTAINING TO A RISK OF FIRE, ELECTRIC SHOCK, EXPOSURE TO EXCESSIVE UV RADIATION, OR INJURY TO PERSONS

IMPORTANT SAFETY INSTRUCTIONS

Lighted lamp is HOT!

WARNING – To reduce the risk of FIRE, ELECTRIC SHOCK, EXPOSURE TO EXCESSIVE UV RADIATION, OR INJURY TO PERSONS:

WARNING: In handling of Xenon bulb, care should be taken not to touch it with your bare hands. Oil residue from fingertips will shorten the life of the xenon bulb. If you accidentally come in contact, wipe thoroughly with a clean, lint-free, cotton cloth. Allow the bulb to cool for 10 minutes before changing the bulb.

1. Turn off/unplug and allow to cool before replacing bulb (lamp).
2. Bulb (lamp) gets HOT quickly! Only contact switch/plug when turning on.
3. Do not touch hot lens, guard, or enclosure.
4. Do not remain in light if skin feels warm.
5. Do not look directly at lighted lamp.
6. Keep lamp away from materials that may burn.
7. Use only with a 40 watt or smaller bulb (lamp).
8. Do not touch the bulb (lamp) at any time. Use a soft cloth. Oil from skin may damage bulb (lamp).
9. Do not operate the portable luminaire with a missing or damaged guard, lamp containment barrier, or UV filter

IMPORTANT SAFETY INSTRUCTIONS

This portable lamp has a polarized plug (one blade is wider than the other) as a safety feature to reduce the risk of electric shock. This plug will fit in a polarized outlet only one way. If the plug does not fit fully in the outlet, reverse the plug. If it still does not fit, contact a qualified electrician. Never use with an extension cord unless plug can be fully inserted. Do not alter the plug.