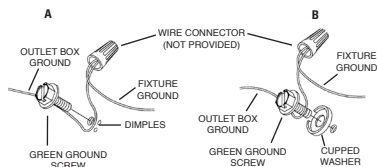


### CHAIN DROP

- 1) Screw center stem onto coupling on top of fixture body.
- 2) Screw threaded pipe at end of rod into ball on top of arm.
- 3) Repeat for remaining rod.
- 4) Pass wire from center stem through top trim.
- 5) Set top trim on top of center stem.
- 6) Insert tops of rods into balls on side of top trim. Thread screws into holes on top of balls. Tighten screws to secure rods in place.
- 7) Screw top stem onto top of fixture.
- 8) Screw loop onto threaded pipe.
- 9) Pass threaded pipe on top loop through hole in canopy.
- 10) Slip lockwasher over threaded pipe and screw hexnut onto end of threaded pipe.
- 11) Turn off power.
- 12) Find the appropriate threaded holes on mounting strap. Assemble mounting screws into threaded holes.
- 13) Attach mounting strap to outlet box. (Screws not provided) Mounting strap can be adjusted to suit position of fixture.
- 14) Grounding instructions: (See Illus. A or B).
  - A) On fixtures where mounting strap is provided with a hole and two raise dimples. Wrap ground wire from outlet box around green ground screw, and thread into hole.
  - B) On fixtures where a cupped washer is provided. Put ground wire from outlet box under cupped washer and green ground screw and thread screw into hole in mounting strap.

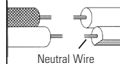
If fixture is provided with ground wire. Connect fixture ground wire to outlet box ground wire with wire connector, (not provided) after following the above steps. Never connect ground wire to black or white power supply wires.



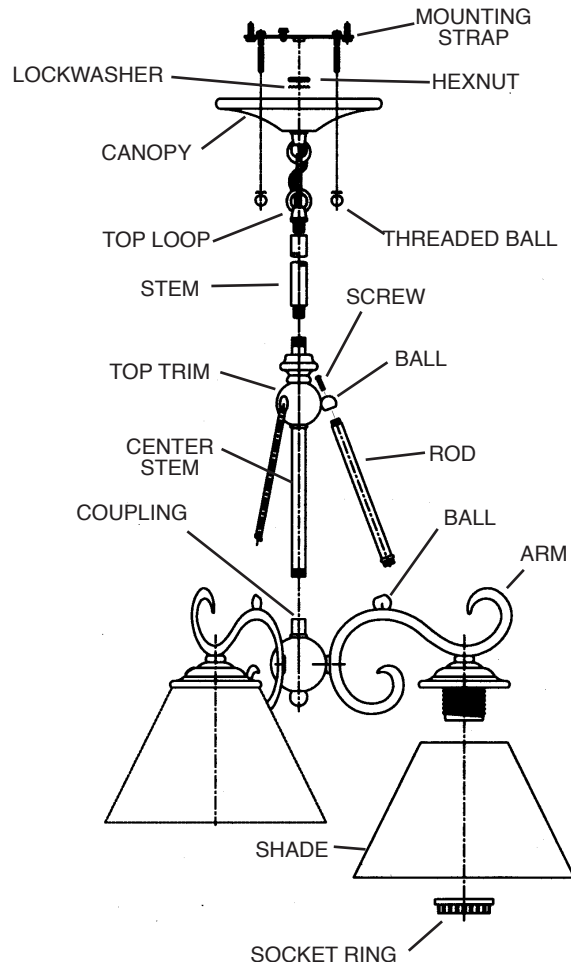
- 15) Make wire connections (connectors not provided.) Reference chart below for correct connections and wire accordingly.

Connect Black or Red Supply Wire to:	Connect White Supply Wire to:
Black	White
*Parallel cord (round & smooth)	*Parallel cord (square & ridged)
Clear, Brown, Gold or Black without tracer	Clear, Brown, Gold or Black with tracer
Insulated wire (other than green) with copper conductor	Insulated wire (other than green) with silver conductor

\*Note: When parallel wires (SPT I & SPT II) are used. The neutral wire is square shaped or ridged and the other wire will be round in shape or smooth (see illus.)



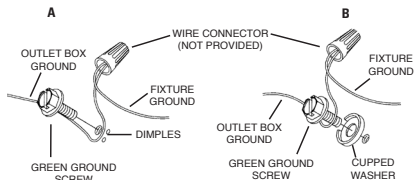
- 16) Push fixture to ceiling, carefully passing mounting screws through holes.
- 17) Secure fixture to ceiling with threaded balls.
- 18) Slip shades over sockets and screw socket rings onto sockets.



### SEMI-FLUSH MOUNT

- 1) Screw center stem onto coupling on top of fixture body.
- 2) Screw threaded pipe at end of rod into ball on top of arm.
- 3) Repeat for remaining rod.
- 4) Pass wire from center stem through top trim.
- 5) Set top trim on top of center stem.
- 6) Insert tops of rods into balls on side of top trim. Thread screws into holes on top of balls. Tighten screws to secure rods in place.
- 7) Pass hole in canopy over threaded pipe on top of center stem.
- 8) Slip lockwasher over threaded pipe and screw hexnut onto end of threaded pipe.
- 9) Turn off power.
- 10) Assemble mounting screws into threaded holes in mounting strap.
- 11) Attach mounting strap to outlet box. (Screws not provided).
- 12) Grounding instructions: (See Illus. A or B).
  - A) On fixtures where mounting strap is provided with a hole and two raise dimples. Wrap ground wire from outlet box around green ground screw, and thread into hole.
  - B) On fixtures where a cupped washer is provided. Put ground wire from outlet box under cupped washer and green ground screw and thread screw into hole in mounting strap.

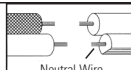
If fixture is provided with ground wire. Connect fixture ground wire to outlet box ground wire with wire connector, (not provided) after following the above steps. Never connect ground wire to black or white power supply wires.



- 13) Make wire connections (connectors not provided.) Reference chart below for correct connections and wire accordingly.

Connect Black or Red Supply Wire to:	Connect White Supply Wire to:
Black	White
*Parallel cord (round & smooth)	*Parallel cord (square & ridged)
Clear, Brown, Gold or Black without tracer	Clear, Brown, Gold or Black with tracer
Insulated wire (other than green) with copper conductor	Insulated wire (other than green) with silver conductor

\*Note: When parallel wires (SPT I & SPT II) are used. The neutral wire is square shaped or ridged and the other wire will be round in shape or smooth (see illus.)



- 14) Push fixture to ceiling, carefully passing mounting screws through holes.
- 15) Secure fixture to ceiling with threaded balls.
- 16) Slip shades over sockets and screw socket rings onto sockets.

