

# 4-Light Straight Arm Light Kit

Owner's Guide and Installation Manual  
Manual De Propietario



English

Español

Form# 43558-01  
20090518  
©2009 Hunter Fan Co.

*SINCE 1886*  
**Hunter**<sup>®</sup>

## Welcome

Your new Hunter® light kit is an addition to your home or office that will provide comfort and performance for many years. This installation and operation manual gives you complete instructions for installing and operating your light kit.

We are proud of our work. We appreciate the opportunity to supply you with the best products available anywhere in the world.

Before installing your light kit, for your records and warranty assistance, record information from the carton and Hunter nameplate label.

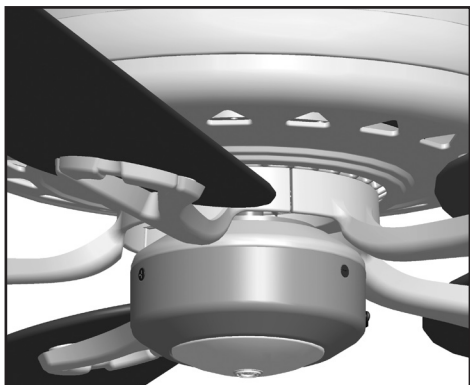
### Cautions and Warnings

- **READ THIS ENTIRE MANUAL CAREFULLY BEFORE BEGINNING INSTALLATION. SAVE THESE INSTRUCTIONS.**
- Use only Hunter replacement parts.
- To reduce the risk of personal injury, install this light fixture only on Hunter® fan types A through Z. **Note:** The fan type can be found on the ceiling fan package or on the nameplate label located on top of the motor housing of the ceiling fan.
- To avoid possible electrical shock, before installing light fixtures, disconnect the power by turning off the circuit breakers both to the outlet box and to its associated wall switch location. If you cannot lock the circuit breakers in the off position, securely fasten a prominent warning device, such as a tag, to the service panel.
- Connect house wiring to the fan before attaching the light fixture to the fan.
- All wiring must be in accordance with national and local electrical codes and ANSI/NFPA 70. If you are unfamiliar with wiring, use a qualified electrician.

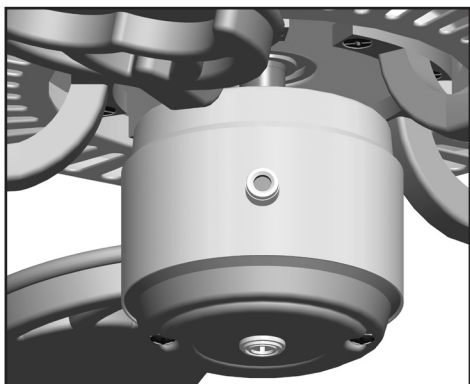
### Table Of Contents

Installing the Light Kit on Fans With Removable Switch Housing.....	4
Installing the Light Kit on Fans With Non-Removable Switch Housing... ..	6
Installing the Light Kit on the Hunter Original .....	8
Installing Bulbs, Chain, and Shades.....	9
Troubleshooting.....	10

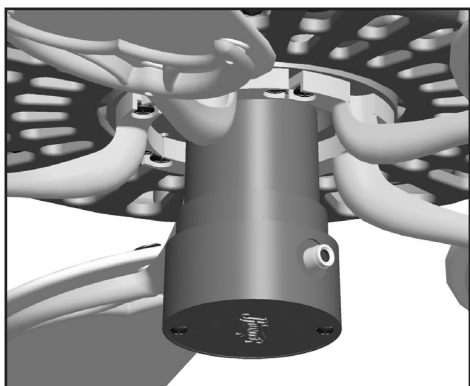
## Installation Methods of Hunter® Ceiling Fans Type A-Z



Removable Switch Housing



Non-removable Switch Housing

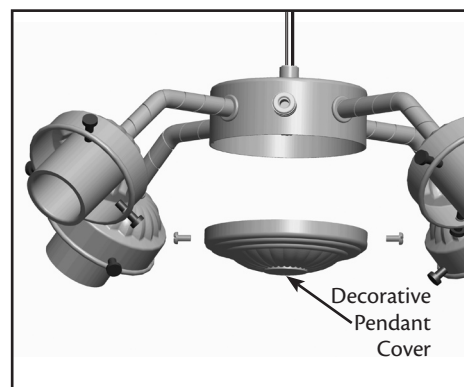


The Hunter Original

Your *Hunter*® light kit can be installed in one of three ways, depending on the type of switch housing. The steps in this manual include instructions for all three installation methods: Fans with removable switch housings, fans with non-removable switch housings, and Hunter Originals.

### Preparing the Light Kit.

1. Disconnect power by turning off the circuit breakers both to the outlet box and to its associated wall switch location.
2. Remove the decorative pendant cover from the bottom of the light kit by unscrewing the two screws and snapping the cover off. Retain screws and cover.
3. The light shades are not included. Purchase four shades or globes to fit.



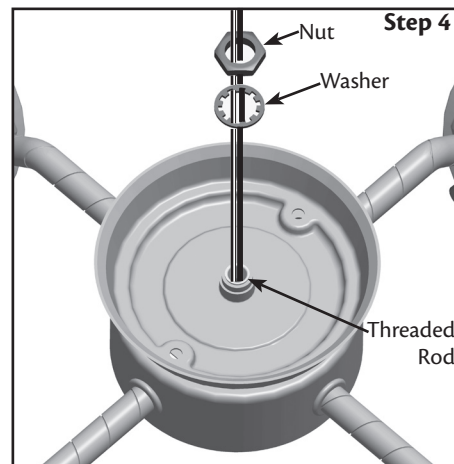
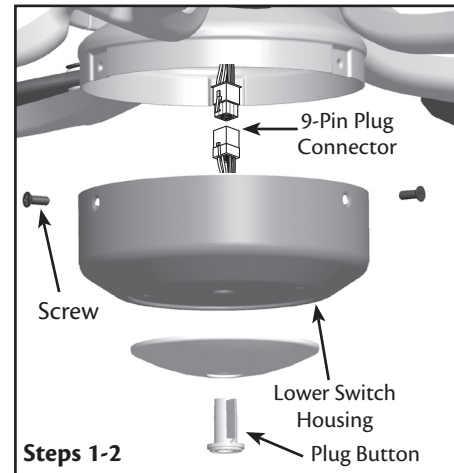
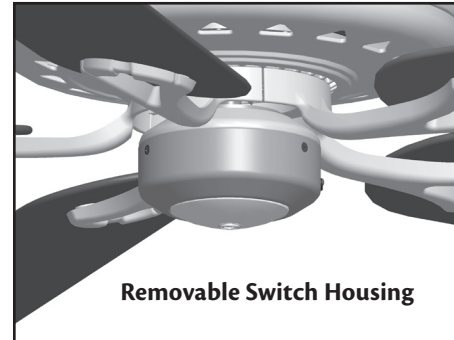
## Installing the Light Kit on Fans With Removable Switch Housings

1. Unscrew the three screws from the upper switch housing. Disconnect the 9-pin plug connectors. Remove the lower switch housing.
2. Push the plug button from inside the lower switch housing to remove the plug button and switch housing cap. Unscrew the two attachment screws on the bottom of the switch housing.

**NOTE:** Save the plug button and switch housing cap should you choose to remove the light fixture in the future.

3. Feed the two wires from the light kit up through the center hole in the lower switch housing. Align the keyholes of the light kit and the screw holes of the lower switch housing.
4. Install the nut and washer onto the threaded rod from the light kit.

**WARNING:** Improper installation could cause the light fixture to fall.



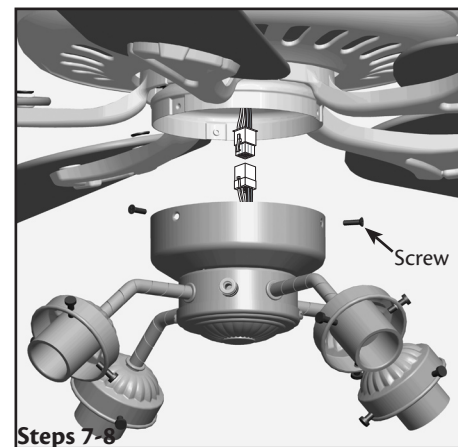
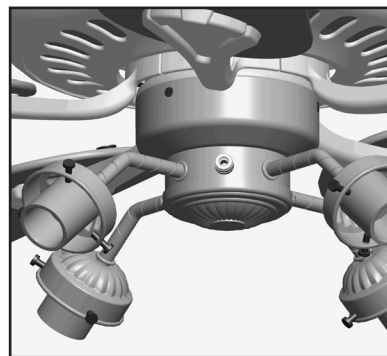
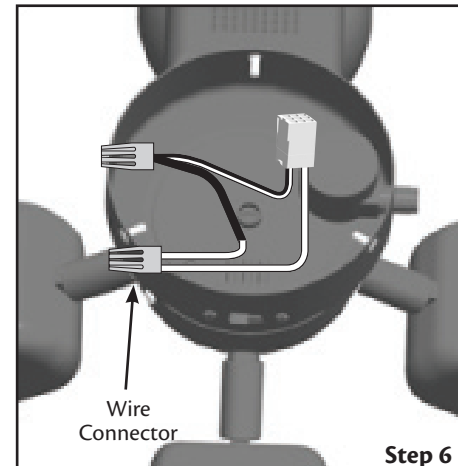
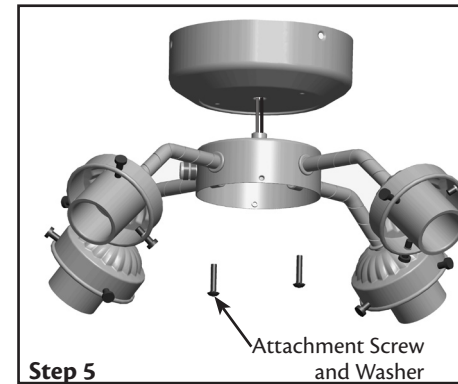
## Installing the Light Kit on Fans With Removable Switch Housings (Continued)

5. Finish attaching the light kit to the lower switch housing. Use the two attachment screws removed from the lower switch housing and the lock washers on the red tag. Partially install the screws into the light kit and the housing. Rotate the housing counterclockwise until the screws are locked into the narrow ends of the keyhole slots. Securely tighten the two screws.
6. Remove the wire connectors from the two wires in the switch housing labeled "Connect Light Here" or "For Light Use."

To connect the wires, hold the bare metal leads together and place a wire connector over them, then twist the wire connector clockwise until tight. Connect the black/white striped wire from the switch housing to the black wire from the light kit. Connect the white wire from the switch housing to the white wire from the light kit. Secure all wire connections using wire connectors.

**⚠ CAUTION:** Be sure no bare metal wires or wire strands are visible after making the connections.

7. Reconnect the 9-pin plug connector.
8. Install screws to reattach the lower switch housing to the upper switch housing. Reattach the decorative pendant cover to the light kit.
9. Go to the instructions for Installing the Bulbs, Chains, and Shades.

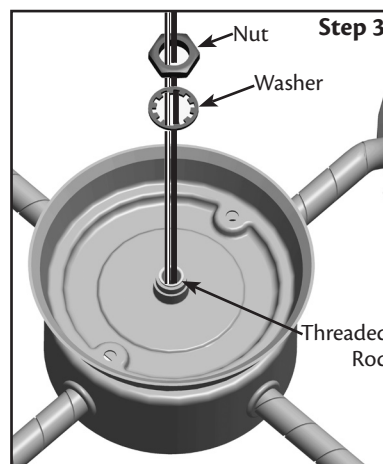
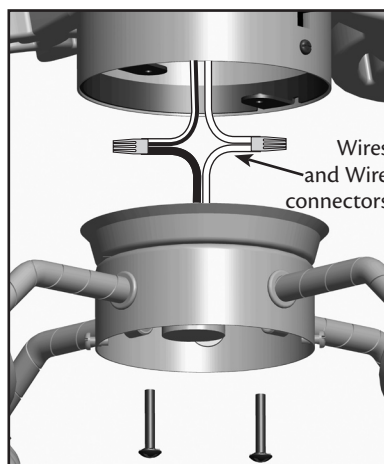
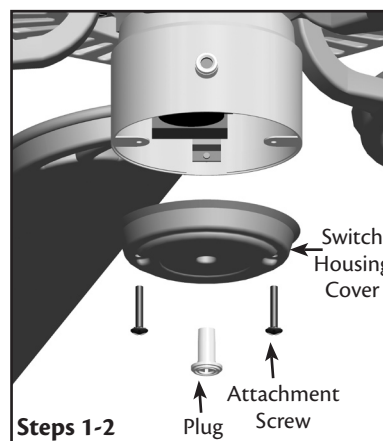
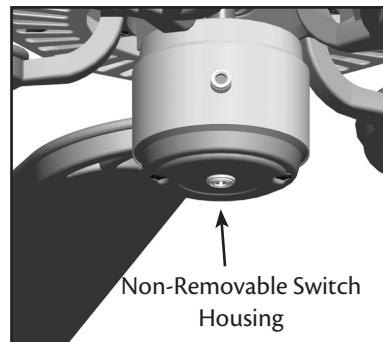


## Installing the Light Kit on Fans With Non-Removable Switch Housing

1. Uninstall the two attachment screws from the switch housing cover.
2. Remove the plug or screw from the center of the switch housing cover.  
**NOTE:** Save the plug button and switch housing cap should you choose to remove the light fixture in the future.
3. Thread the switch housing cover onto the wires from the light kit. Align the large ends of the keyholes in the light kit with the screw holes in the switch housing cover. Install the nut and washer onto the threaded rod from the light kit to secure the switch housing cover.
4. You have already removed the decorative pendant cover from the bottom of the light kit.

Finish attaching the light kit to the switch housing cover using the two attachment screws removed from the lower switch housing and the lock washers on the red tag. Partially install the screws into the light kit and the housing. Rotate the housing counterclockwise until the screws are locked into the narrow ends of the keyhole slots. Securely tighten the two screws.

**⚠ WARNING:** Improper installation could cause the light fixture to fall, or result in electrical shock or personal injury.



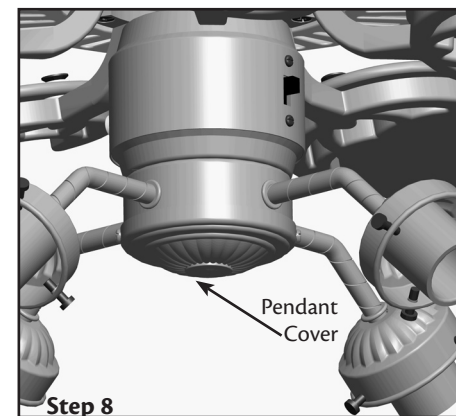
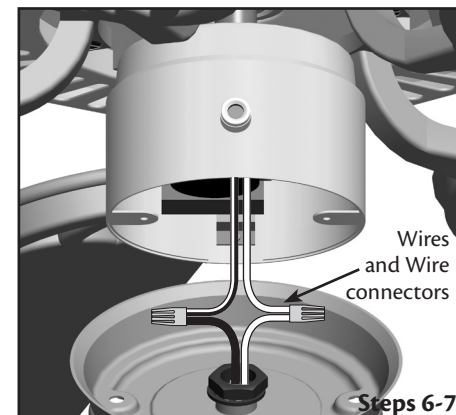
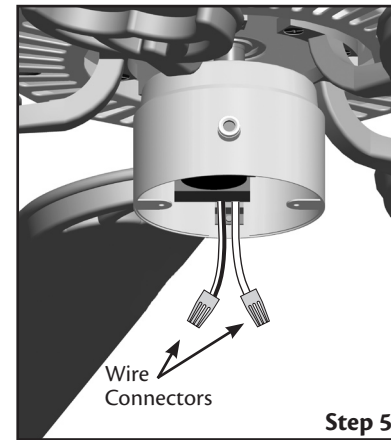
## Installing the Light Kit on Fans With Non-Removable Switch Housing Cont.

- Remove the wire connectors from the two wires in the switch housing labeled "Connect Light Here" or "For Light Use." One wire is white and the other wire is black/white striped. To connect the wires, hold the bare metal leads together and place a wire connector over them, then twist the wire connector clockwise until tight.

Connect the black/white striped wire from the switch housing to the black wire from the light kit. Connect the white wire from the switch housing to the white wire from the light kit. Secure all wire connections using wire connectors.

**CAUTION:** Be sure no bare metal wires or wire strands are visible after making the connections.

- Align the locator posts in the switch housing cover with the screw holes in the switch housing.
- Align the threaded screw holes in the switch housing cover with the threaded holes in the switch housing and install two screws.
- Reattach the pendant cover to the light kit using the screws you removed earlier.
- Go to the instructions for Installing the Bulbs, Chains, and Shades.



## Installing the Light Kit on the Hunter Original

1. Uninstall the two screws from the switch housing.
2. Remove the wire connectors from the two wires in the switch housing labeled "Connect Light Here" or "For Light Use." One wire is white and the other wire is black/white striped.

Connect the black/white striped wire from the switch housing to the black wire from the light kit. Connect the white wire from the switch housing to the white wire from the light kit. Secure all wire connections using wire connectors.

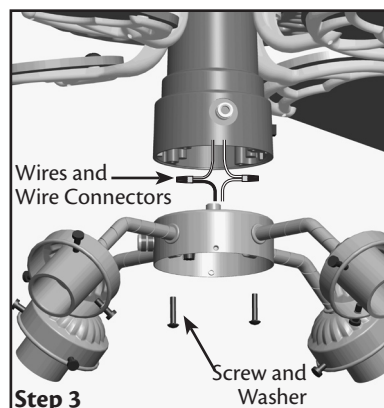
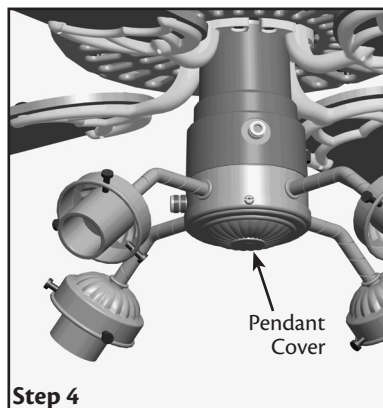
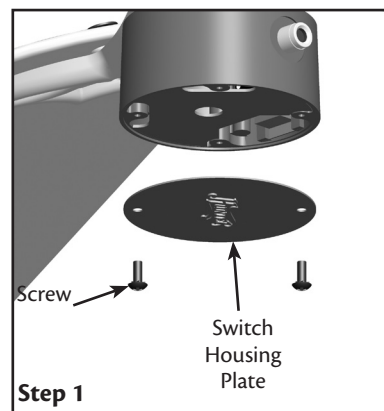
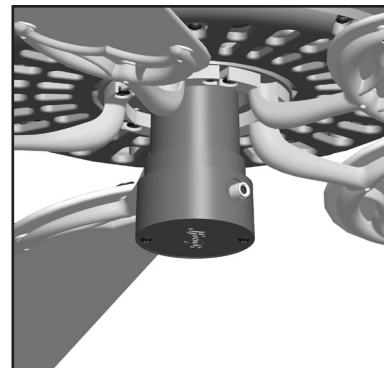
To connect the wires, hold the bare metal leads together and place a wire connector over them, then twist the wire connector clockwise until tight.

**⚠ CAUTION:** Be sure no bare metal wires or wire strands are visible after making the connections.

3. Finish attaching the light kit to the switch housing. Use the two screws removed from the switch housing and the lock washers on the red tag. Partially install the screws into the light kit and the housing. Rotate the light fixture clockwise until the screws are locked into the narrow ends of the keyhole slots. Securely tighten the two screws.

**⚠ WARNING:** Improper installation could cause the light fixture to fall, or result in electrical shock or personal injury.

4. Reattach the decorative pendant cover to the light kit using the screws you removed earlier.
5. Go to the instructions for Installing the Bulbs, Chains, and Shades.



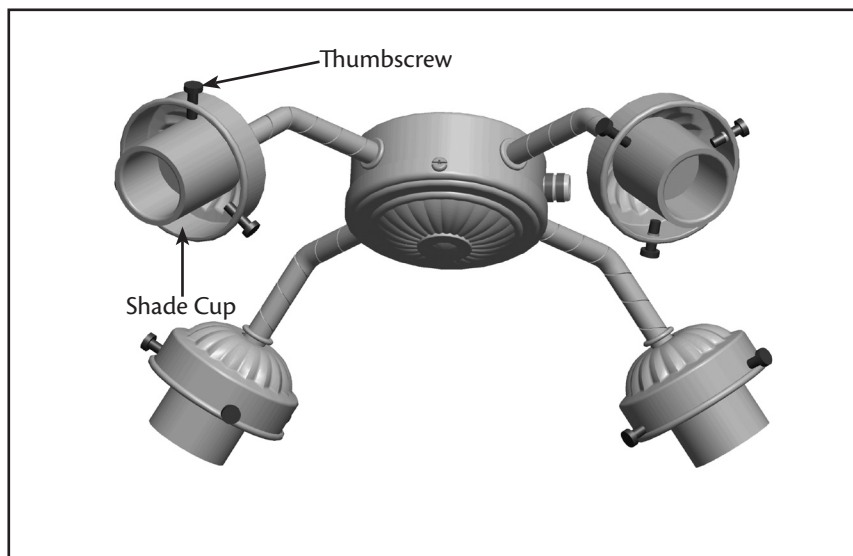


## Installing Bulbs, Chain, and Shades

1. Install four purchased shades or globes for the light fixture. For each light, loosen the three thumbscrews in the shade cup. Place the shade into the shade cup and tighten the thumbscrews.
2. Install the included CFL light bulbs.
3. The installation is complete and you can restore power to the ceiling fan.



CFL bulb  
(included)



## Troubleshooting

### Light does not come on.

1. Make sure bulbs are installed properly.
2. Make sure breakers or fuses are on.
3. Verify that the light power lead is connected at the ceiling. Refer to your ceiling fan manual for locating assembly and wiring.

If you need parts or service assistance, please call 888-830-1326 or visit us at our Web site at <http://www.hunterfan.com>.

Hunter Fan Company  
7130 Goodlett Farms Pkwy. # 400  
Memphis, Tennessee 38016

This Light Fixture Weighs 4 lbs.

Printed in China