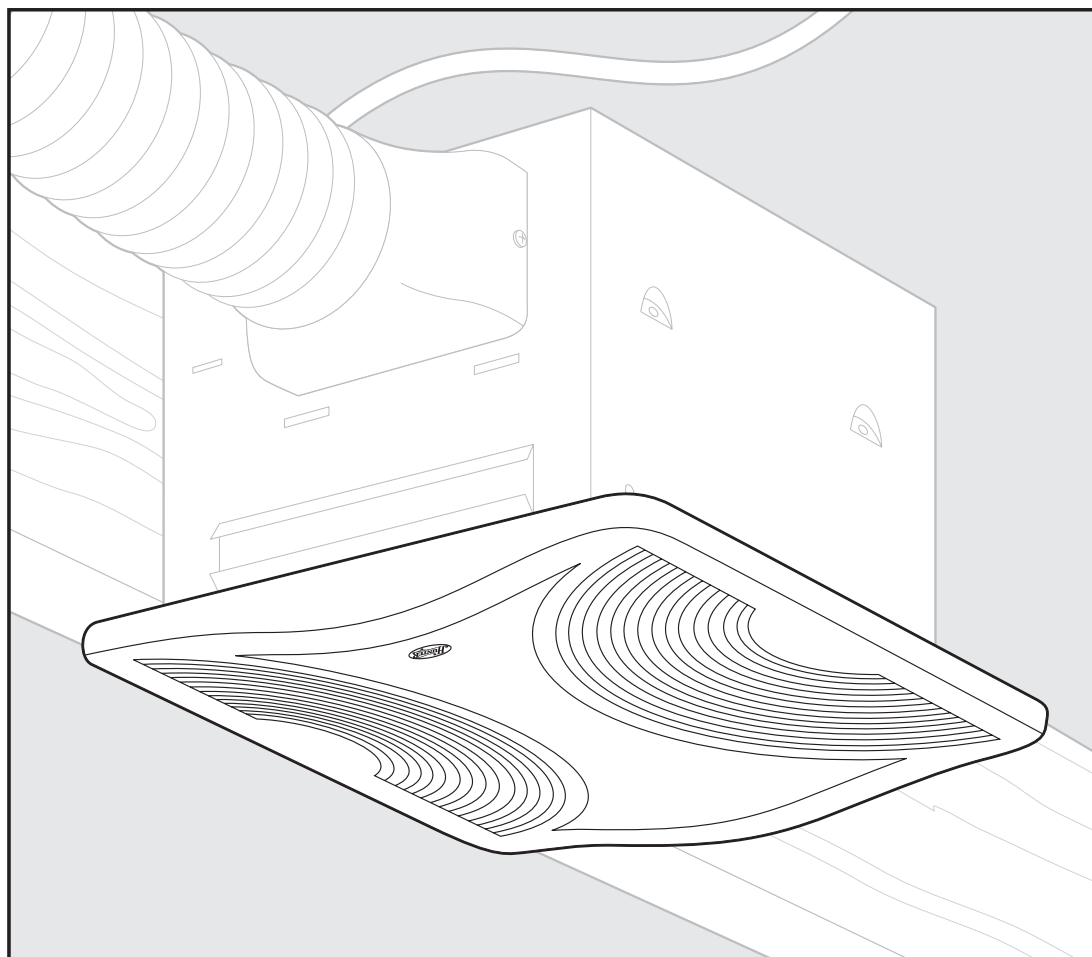


# Hunter<sup>®</sup>

SINCE 1886

I n s t a l l a t i o n   G u i d e



ENGLISH  
See page 2

ESPAÑOL  
Vea la página 19

Energy Star Bath Fan Models 82030, 82031, & 82032  
READ and SAVE THESE INSTRUCTIONS



# W A R N I N G

TO REDUCE THE RISK OF ELECTRIC SHOCK OR INJURY, OBSERVE THE FOLLOWING:

1) Read all instructions before attempting to install or use this appliance. This appliance is for general ventilating use only. Do not use this appliance for ventilating hazardous or explosive materials. Follow the heating equipment manufacturer's guideline and safety standards, such as those published by the National Fire Prevention Association (NFPA), and the American Society for Heating, Refrigeration and Air-Conditioning Engineers (ASHRAE), and the local code authorities. Use this appliance only as described in this manual. Any other use not recommended by the manufacturer may cause fire, electric shock, or injury to persons. SAVE THESE INSTRUCTIONS.

2) Before installing, servicing, or cleaning the unit, disconnect the power by turning off the circuit breakers to the outlet box and associated wall switch location. If you cannot lock the circuit breakers in the off position, securely attach a prominent warning device, such as a tag, to the service panel.

3) This unit must be grounded.

4) This appliance is suitable for tub or shower installation, and must not be installed within a minimum of 3 feet from the tub or shower opening. See Figure A.

5) Do not install this appliance lower than 7 feet (2.13 m) above the floor in the ceiling. See Figure A.

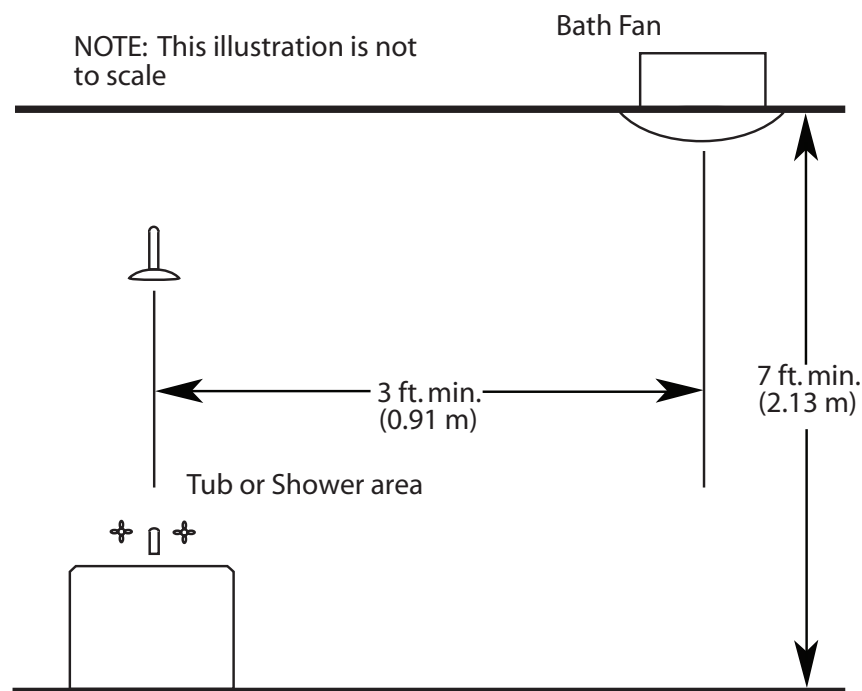


Figure A

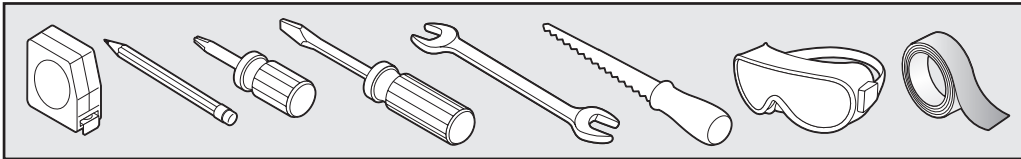
Continued

- 6) Never place a switch where it can be reached from a tub or shower. Do not install this appliance in a tub or shower enclosure.
- 7) Installation work and electrical wiring must be done by qualified person(s) in accordance with all applicable codes and standards, including fire-rated construction codes and standards.
- 8) When cutting or drilling into wall(s) or ceiling, do not damage electrical wiring or other hidden utilities.
- 9) Do not install this product in a wall. This product is designed for installation in ceilings up to a 12/12 pitch (45 degrees). Ductwork must point upward.
- 10) Ducted fans must always be vented to the outdoors. Keep ducting as short and as straight as possible.
- 11) Extreme caution is necessary when any is used by or near children or invalids and whenever the is left operating and unattended.
- 12) To avoid motor bearing damage and noisy/unbalanced blower wheel, keep drywall spray, construction dust, etc. off power unit.
- 13) Read specification label on product for further information and requirements.
- 14) Do not insert or allow foreign objects to enter any ventilation or exhaust opening as this may cause an electric shock or fire, or damage the unit.
- 15) Do not use this appliance with a dimmer switch or a fan speed controller.
- 16) To reduce the risk of fire or electrical shock, do not use this fan with any solid-state speed control device.
- 17) To prevent a possible fire, do not block air intakes or exhaust in any manner.
- 18) If this unit is to be installed over a tub or shower, it must be marked as appropriate for the application and be connected to a GFCI (Ground Fault Circuit Interrupter)-protected branch circuit.

Check all the parts. If damaged, call 1-888-830-1326 for replacement.

- x3 A
- \* B } 3/8" Cable Connector
- \* C }
- x2 D Attachment Screws
- x4 E Mounting Screws
- \* NOTE: Strain relief (not supplied) cable connector must be installed.
- F 95044-01-000 Mounting Rails
- G 97128-01-000 Housing
- H 97517-01-000 Wiring Cover
- I 03242-07-133 Wiring Cover Screw
- J 77520-01-000 Strain Relief Bracket
- K 65219 Strain Relief Bracket Screw
- L 97118-01-000 Fan Assembly
- 97118-03-000
- 97118-05-000
- x2 M 74508-03-133 Fan Mounting Screws
- N 97934-01-262 Bezel

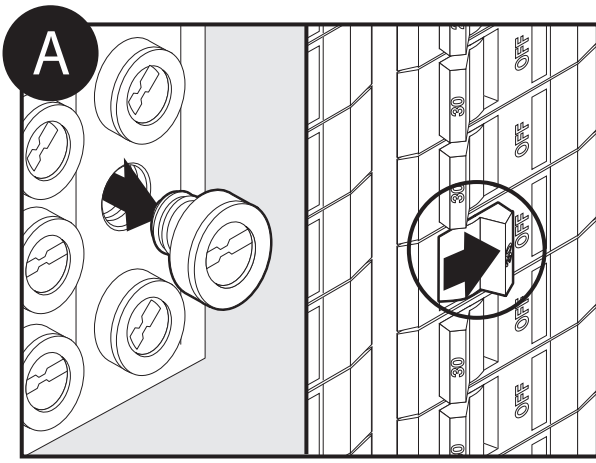
Included.



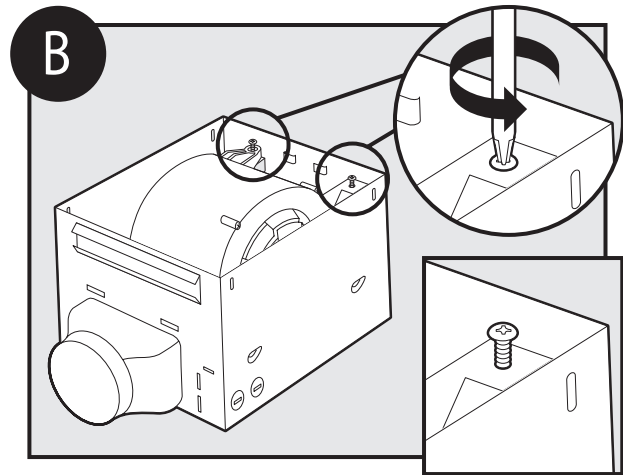
Tools Needed. (Not supplied.)

Estimated assembly time: 30 to 60 minutes

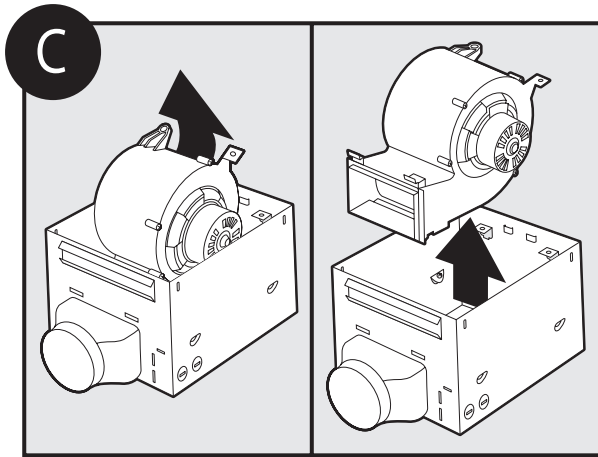
**Before Installation**



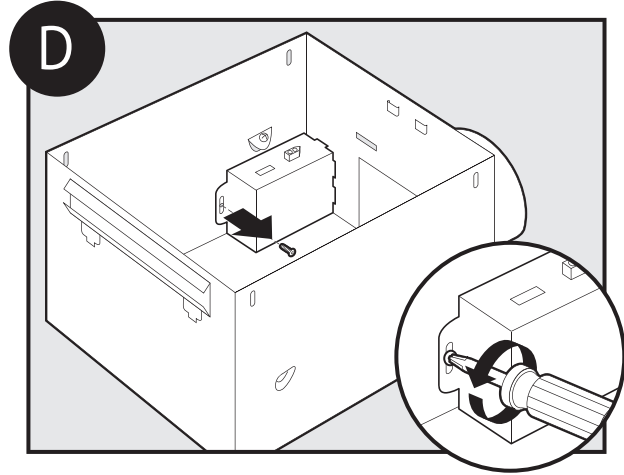
Turn off the power source.



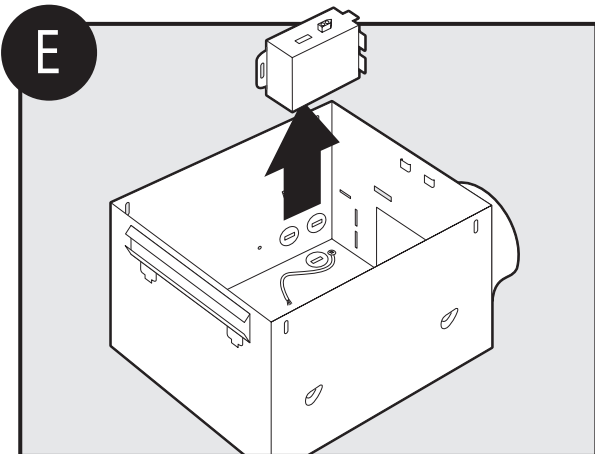
Loosen the fan mounting screws.



Remove the fan assembly from the housing.



Loosen the wiring cover screw.

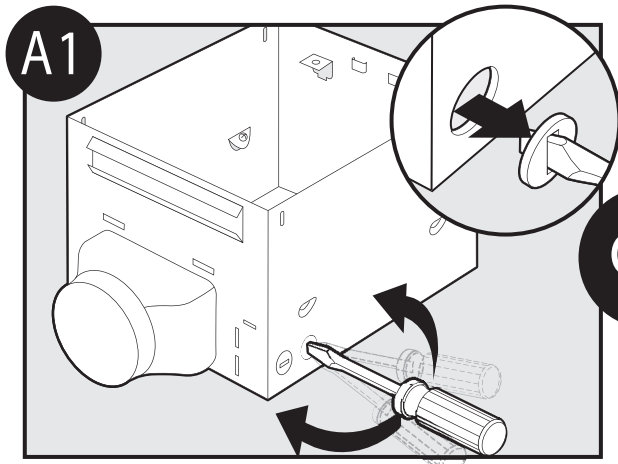


Remove the wiring cover.

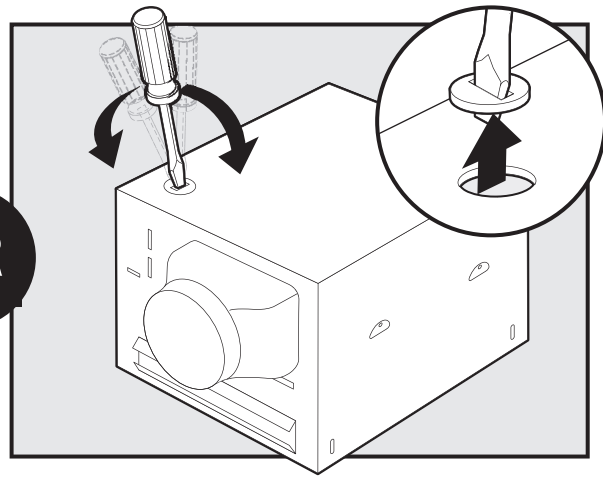
### Choose Installation Option

- For New Construction - attaching to joist, go to step A1, page 5.
- For New Construction - suspended between, joists go to step B1, page 7.
- For Existing Construction - accessible from above, go to step C1, page 9.
- For Existing Construction - accessible only from below, go to step D1, page 12.

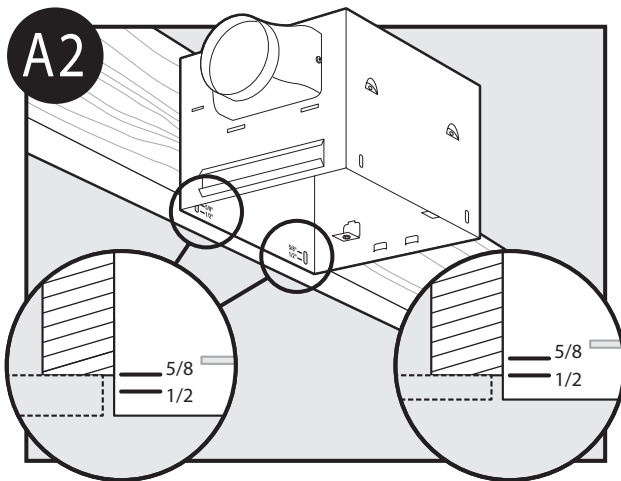
Section A - New Construction - attaching to joist



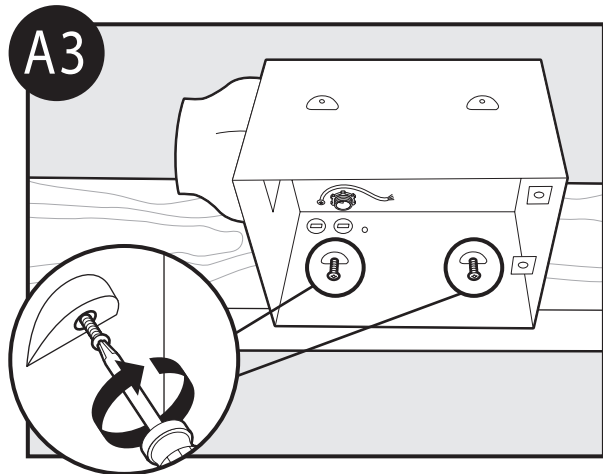
OR



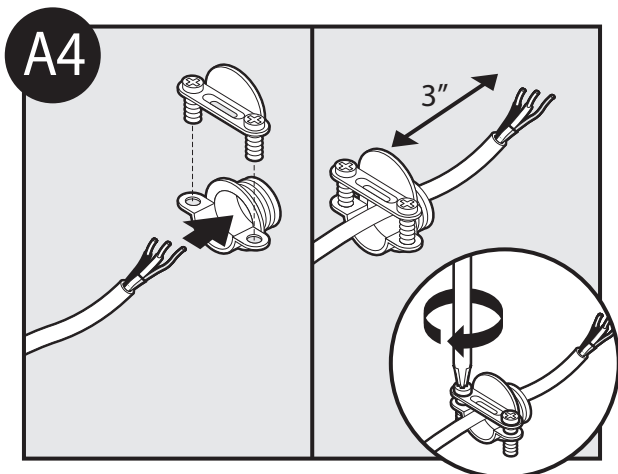
Pop out a wiring access slug.



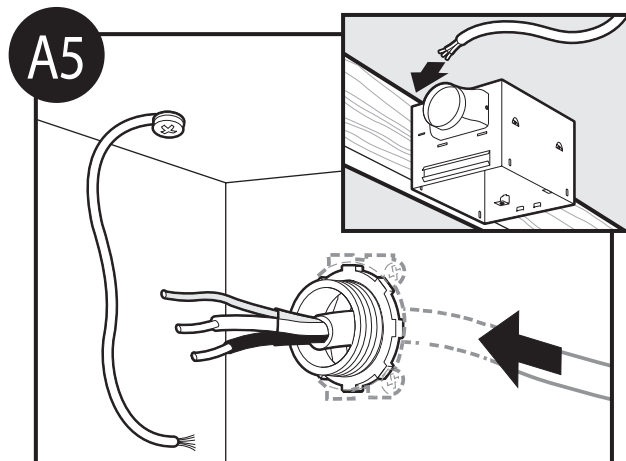
Position the correct depth mark at the bottom edge of the joist based upon the the thickness of your sheetrock.



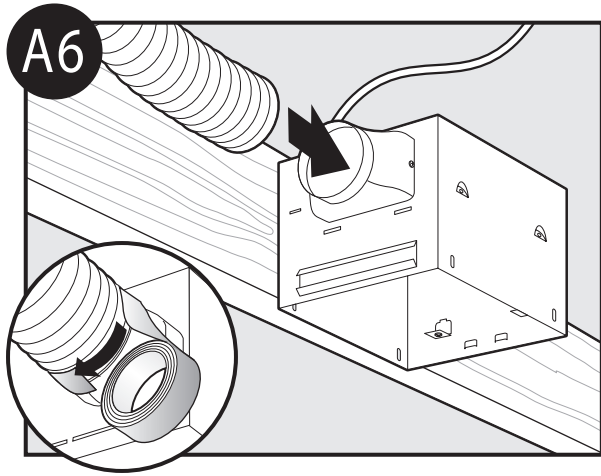
Drive mounting screws (supplied) into joist or framing.



Run the power supply wire through the strain relief, leaving 3" between the end of the wire and the strain relief. Tighten the strain relief around the wire.



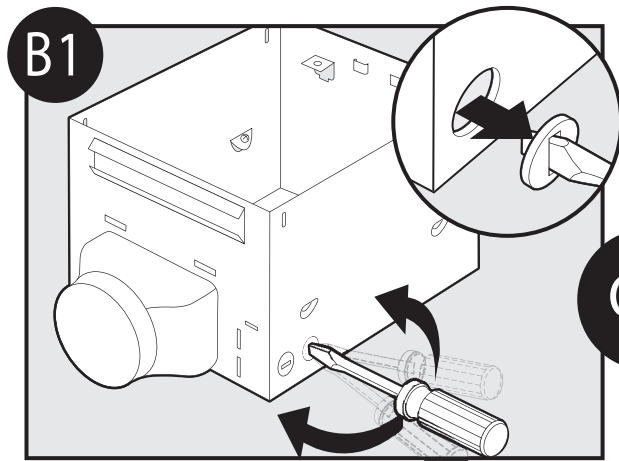
Install the wiring and the strain relief into the wiring access hole you made earlier.



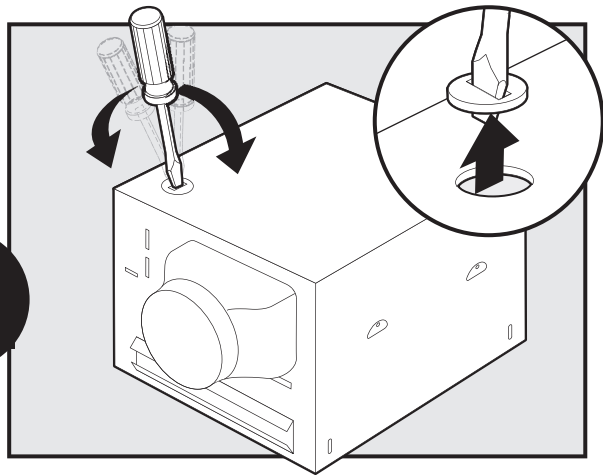
Connect 4" duct and vent to the outside. Use duct tape to secure joints. If ducting does not fit securely, an adapter may need to be purchased.

**Vaya a la sección E –  
Instalación Final  
en la página 14.**

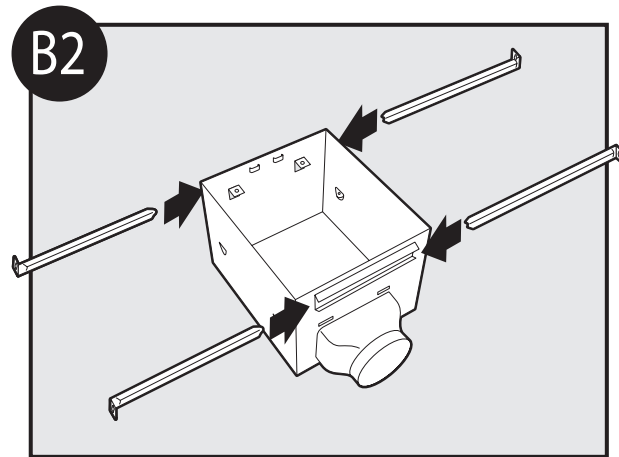
**Section B - New Construction – suspended between joists**



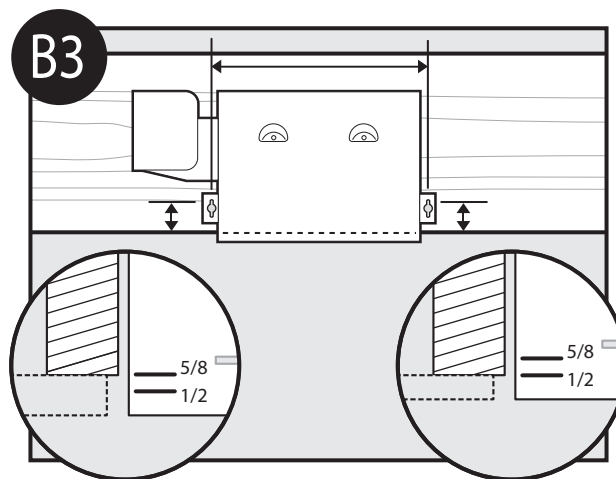
**OR**



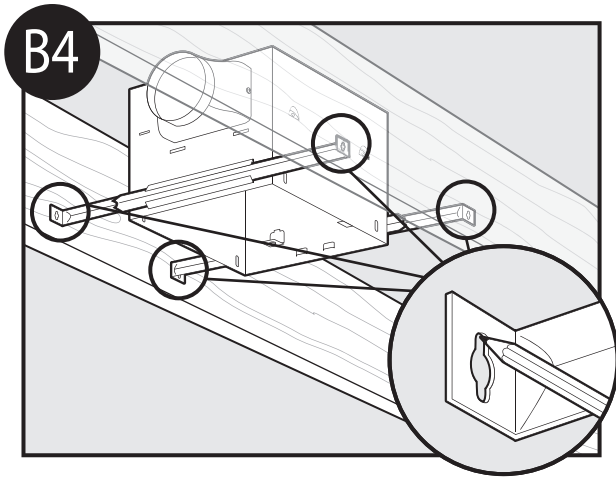
Pop out a wiring access slug.



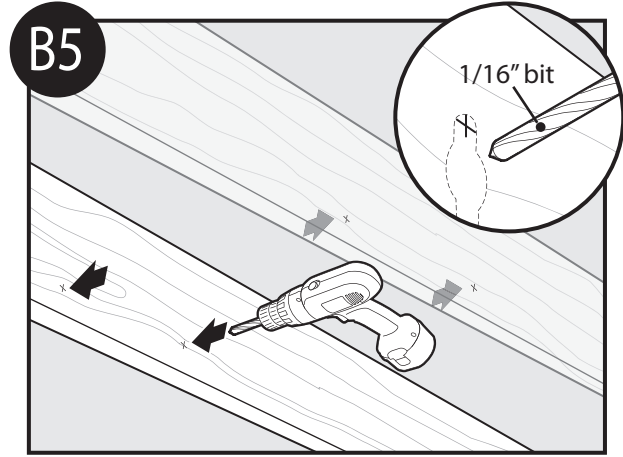
Slide the mounting rails into brackets. Note the orientation of the outer ends of the rails.



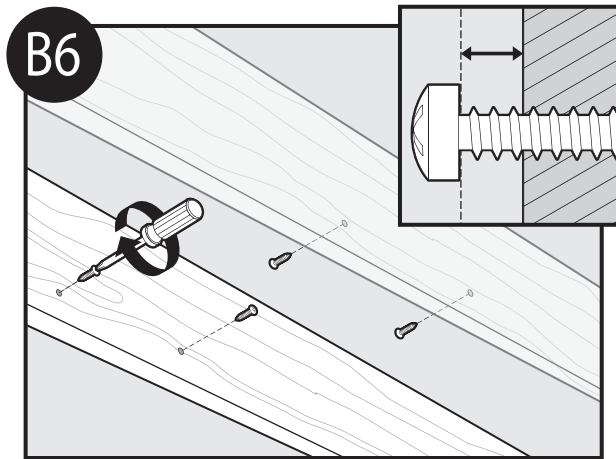
Position the correct depth mark at the bottom edge of the joist based upon the thickness of your sheetrock.



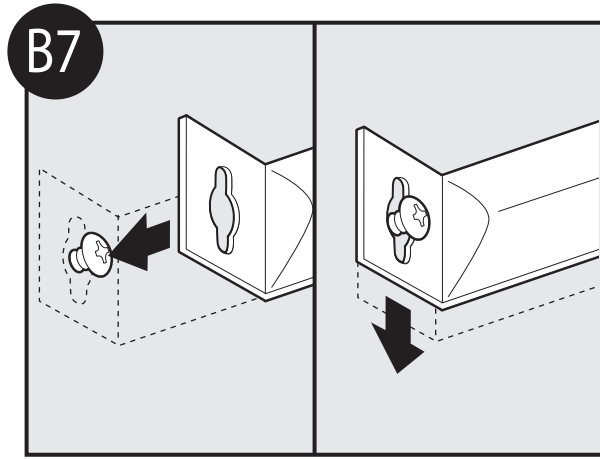
Mark position of screws by using holes as a template.



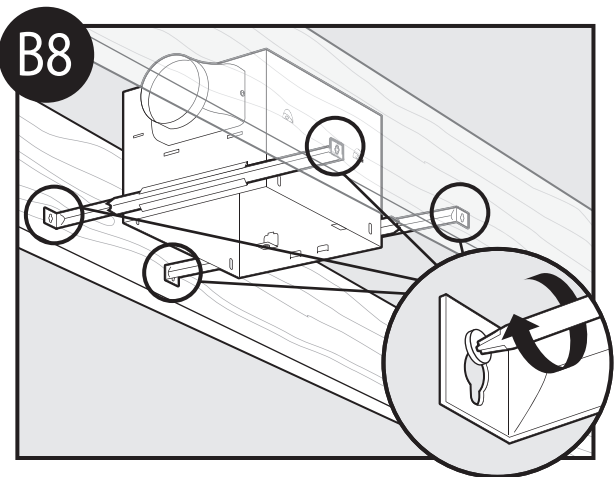
Drill a pilot hole at the TOP of each outline.



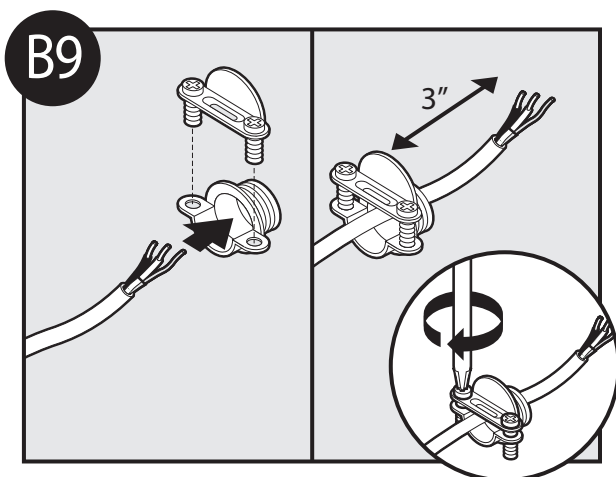
Insert mounting screws, leaving space between the screw head and the joist. (Screws are supplied.)



Attach the rails onto the screws.

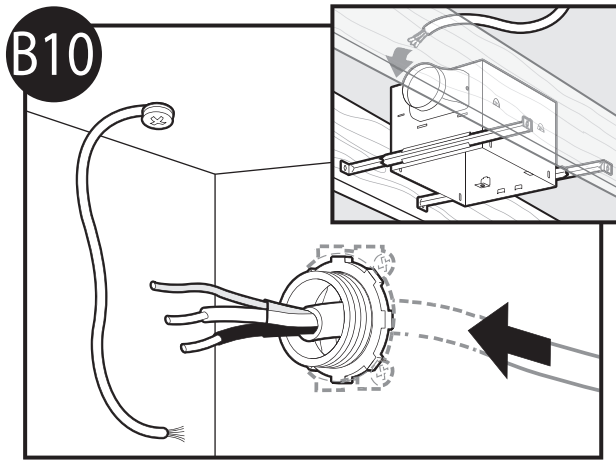


Tighten screws.

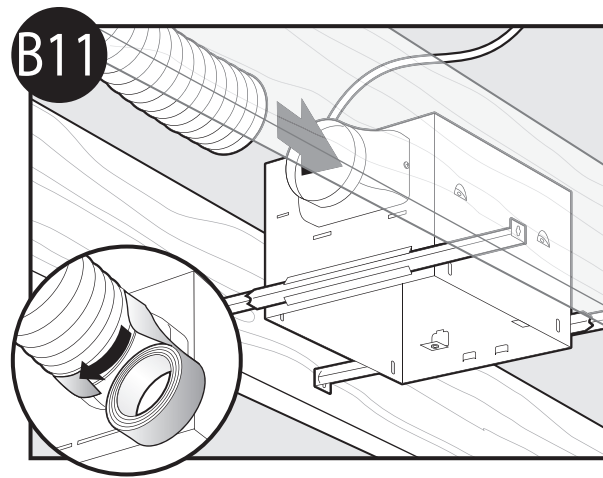


Run the power supply wire through the strain relief, leaving 3" between the end of the wire and the strain relief. Tighten the strain relief around the wire.





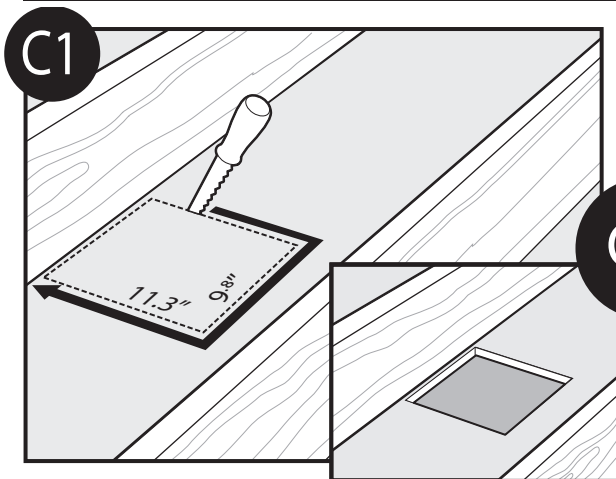
Install the wiring and the strain relief into the wiring access hole you made earlier.



Connect 4" duct and vent to the outside. Use duct tape to secure joints. If ducting does not fit securely, an adapter may need to be purchased.

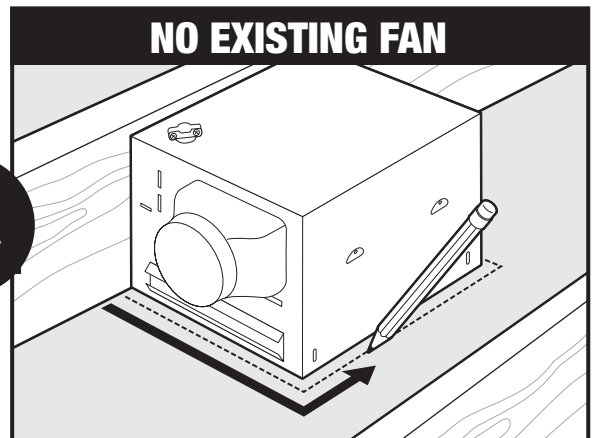
**Vaya a la  
sección E –  
Instalación Final  
en la página 14.**

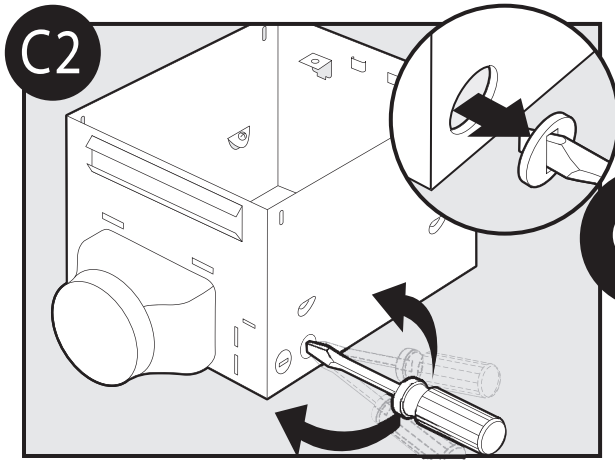
**Section C - Existing Construction – accessible from above**



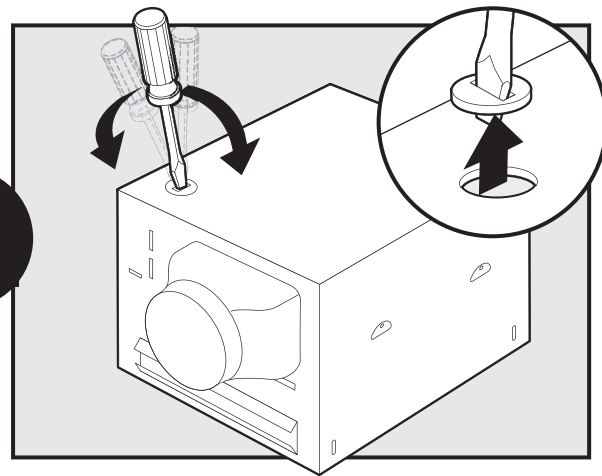
Remove an existing fan and check to make sure the opening is large enough to accommodate the new fan housing. The opening needs to be 11.3" x 9.8".

**OR**

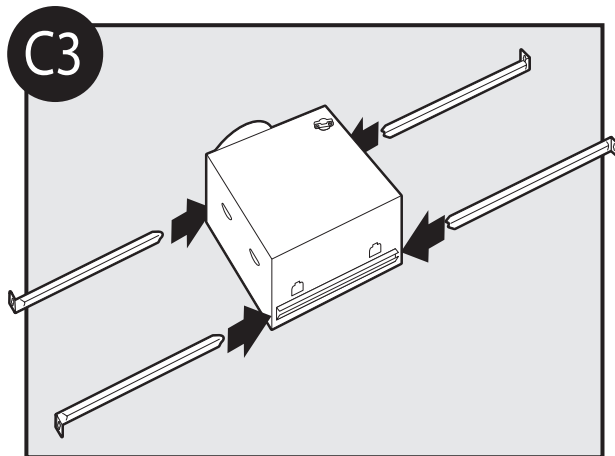




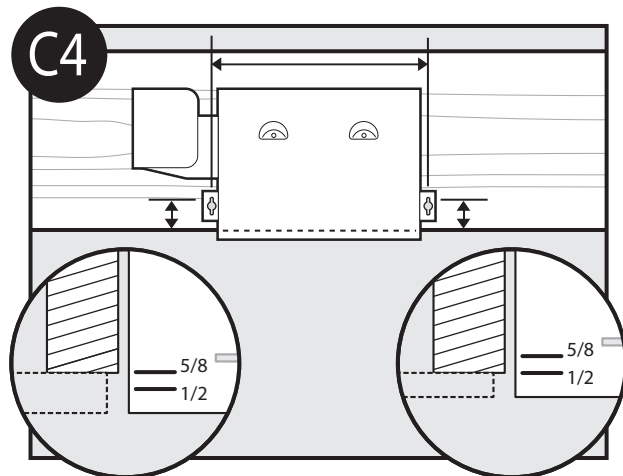
OR



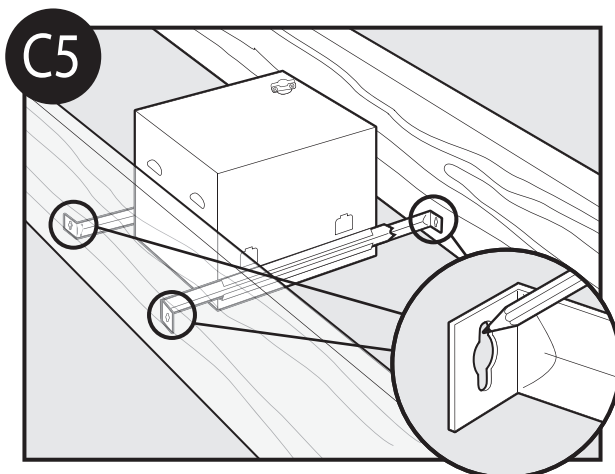
Pop out a wiring access slug.



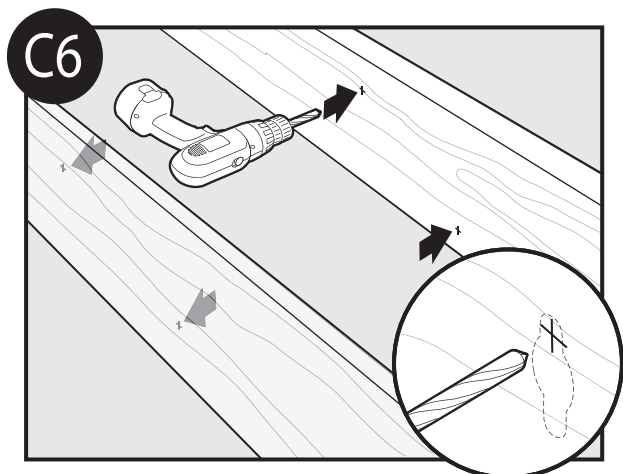
Slide the mounting rails into brackets.



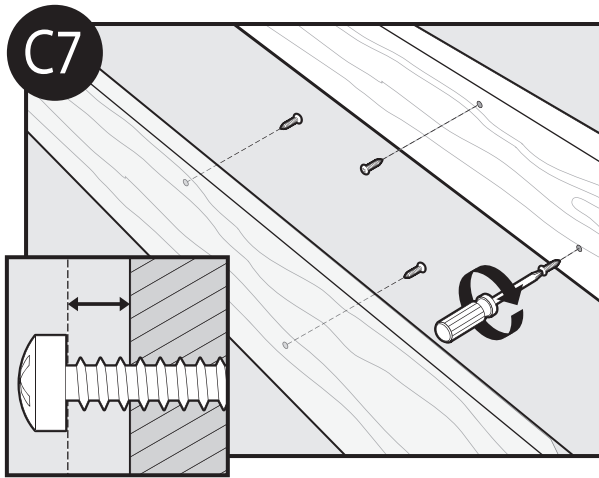
Using the depth markings on the housing, position the bottom edge of the housing so that it will be flush with the sheetrock.



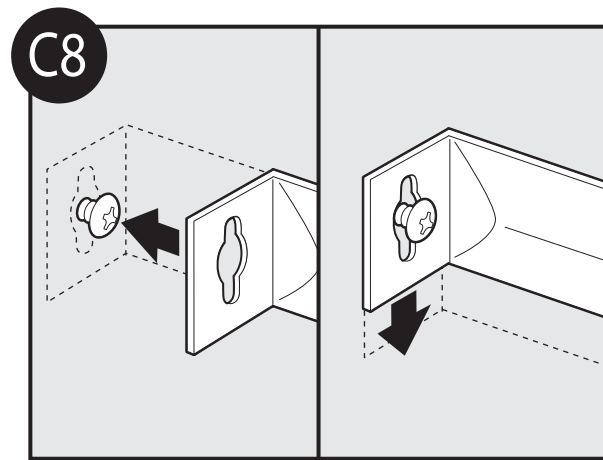
Mark position of screws by using holes as a template.



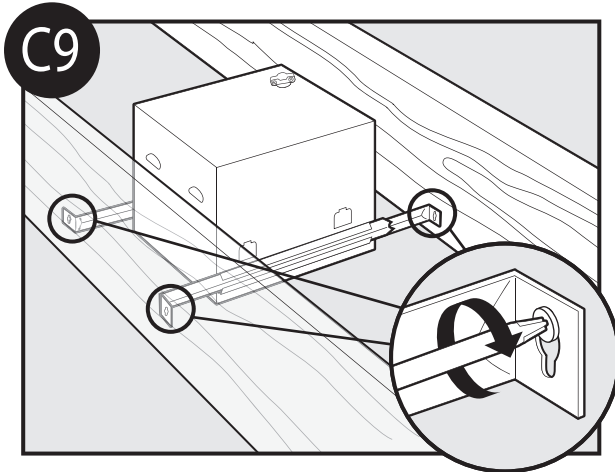
Drill a pilot hole at the TOP of each outline, AS SHOWN.



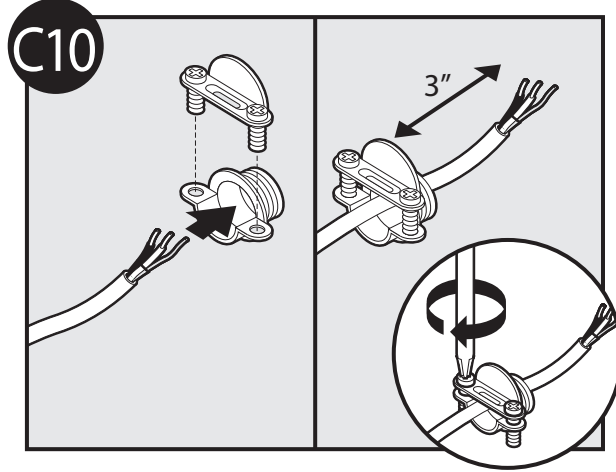
Insert mounting screws, leaving space between the screw head and the joist. (Screws are supplied.)



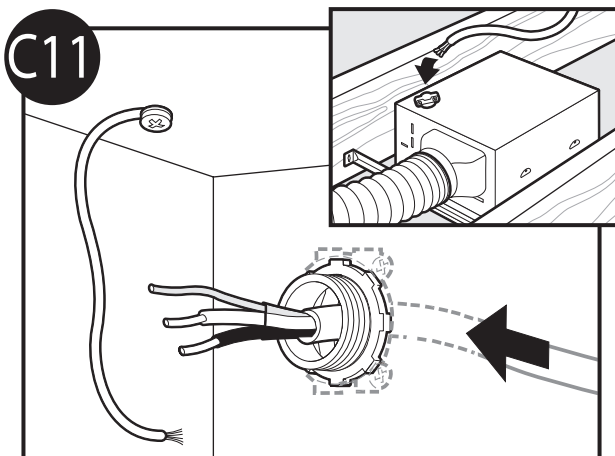
Attach the rails onto the screws.



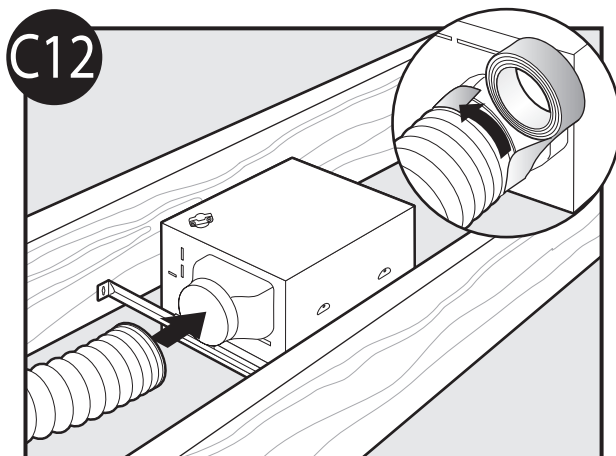
Tighten screws.



Run the power supply wire through the strain relief, leaving 3" between the end of the wire and the strain relief. Tighten the strain relief around the wire.



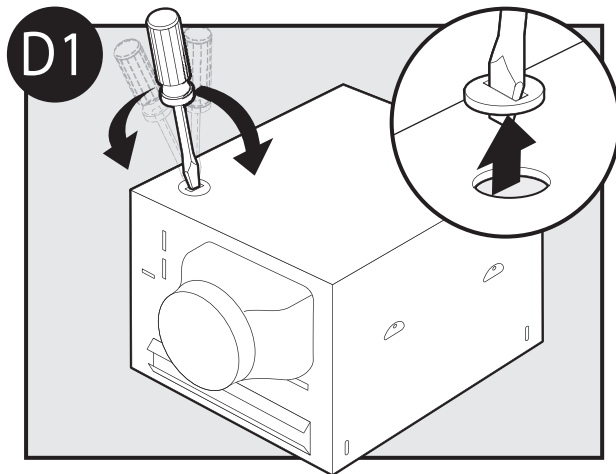
Install the wiring and the strain relief into the wiring access hole you made earlier.



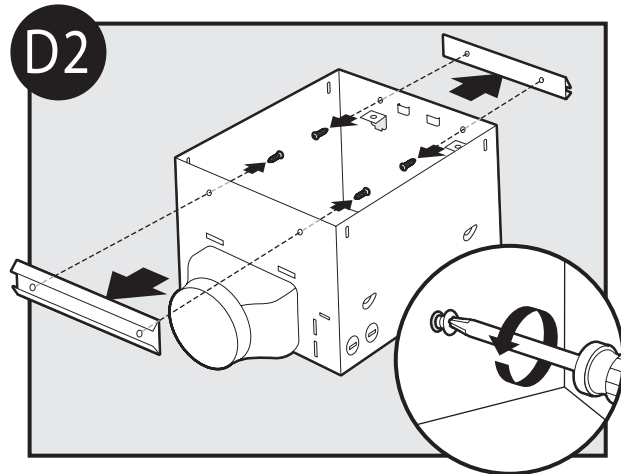
Connect 4" duct and vent to the outside. Use duct tape to secure joints. If ducting does not fit securely, an adapter may need to be purchased.

**Vaya a la  
sección E –  
Instalación Final  
en la página 14.**

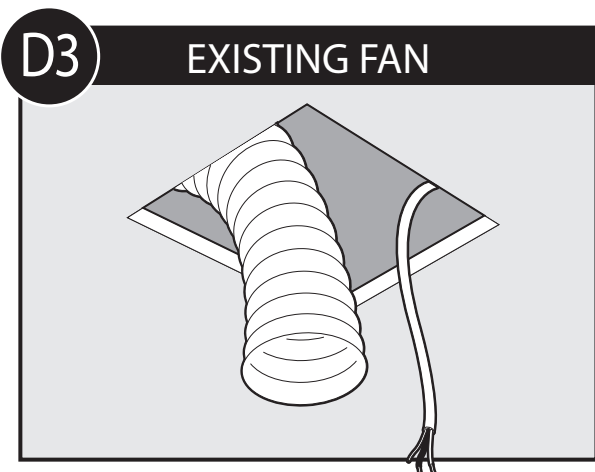
**Section D - Existing Construction – accessible from below**



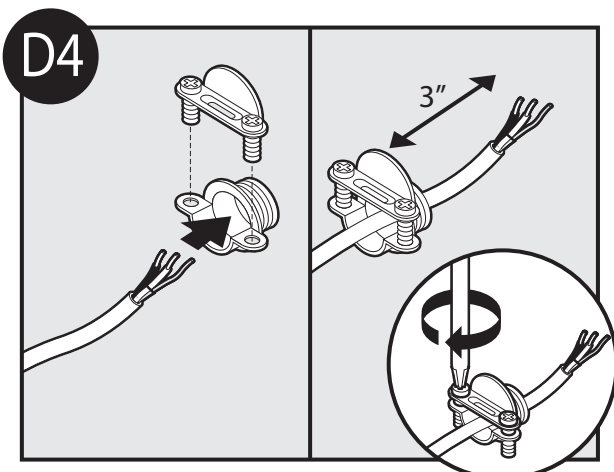
Remove one of the wiring access slugs on the top of the housing. Use a second wiring access plug if needed.



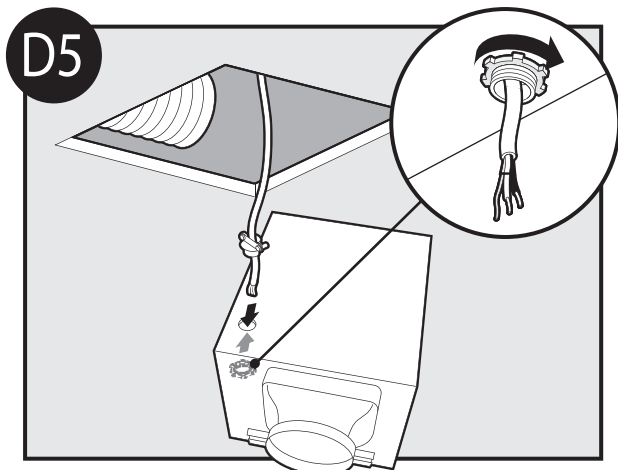
Remove the mounting rail brackets.



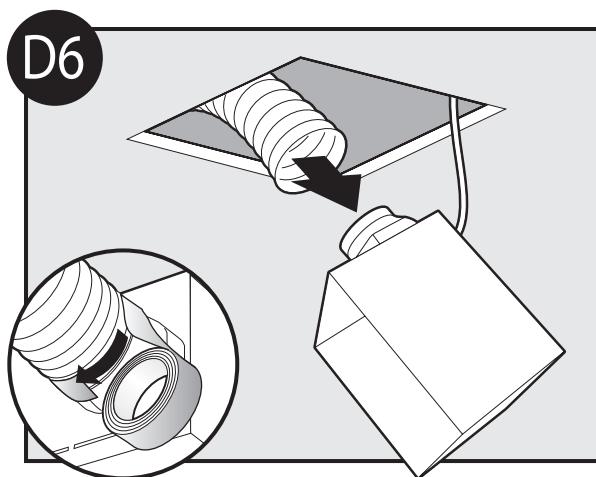
Remove an existing fan and check to make sure the opening is large enough to accommodate the new fan housing. If there is no existing fan choose an appropriate location to make an 11.3" x 9.8" opening.



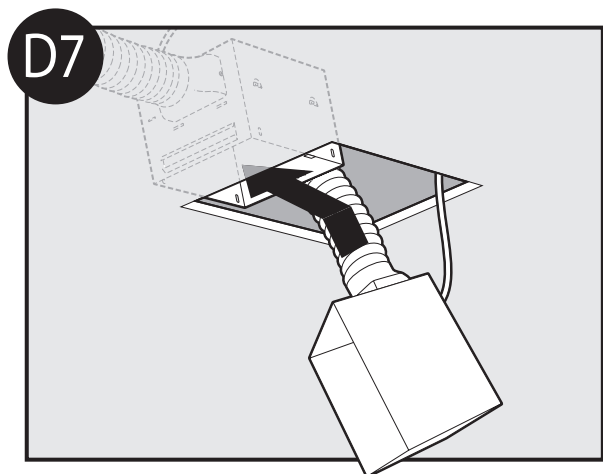
Run the power supply wire through the strain relief, leaving 3" between the end of the wire and the strain relief. Tighten the strain relief around the wire.



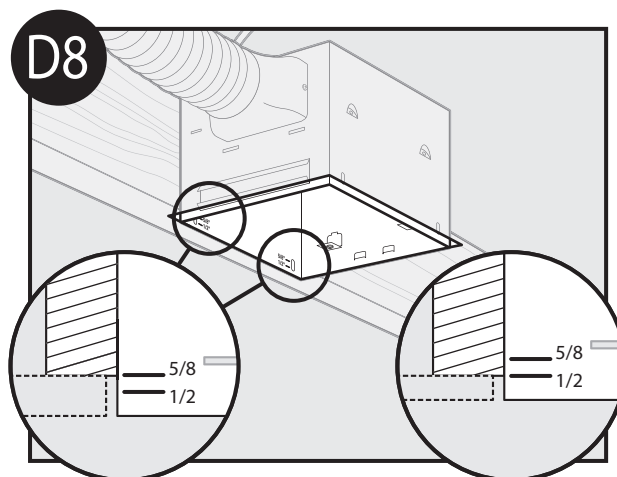
D5 Install the wiring and the strain relief into the wiring access hole you made earlier.



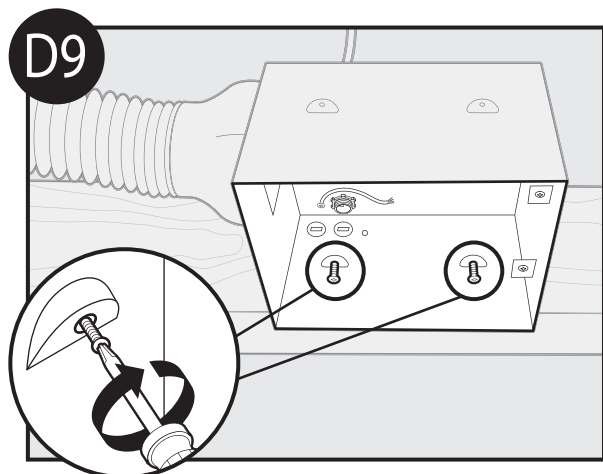
D6 Connect 4" duct and vent to the outside. Use duct tape to secure joints. If ducting does not fit securely, an adapter may need to be purchased.



D7 Move the housing into the ceiling.



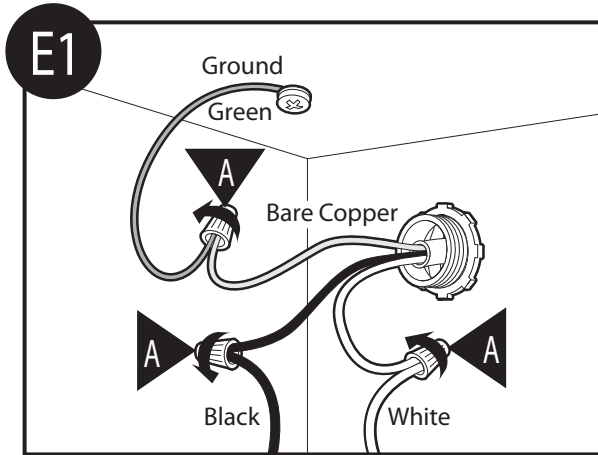
D8 Position the bottom edge of the housing flush with the sheetrock.



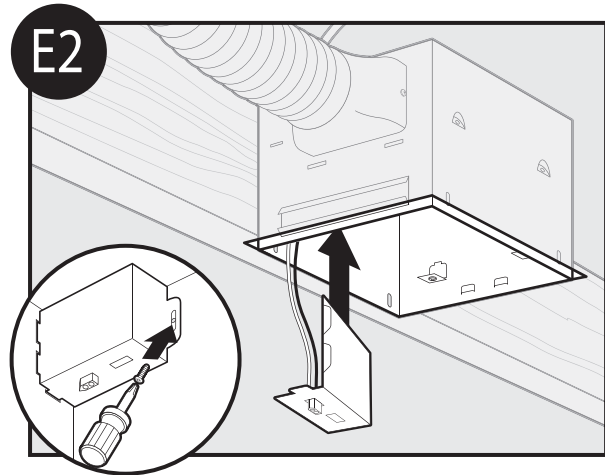
D9 Screw mounting screws into joist or framing.

**Vaya a la  
sección E –  
Instalación Final  
en la página 14.**

## Section E - Final Installation

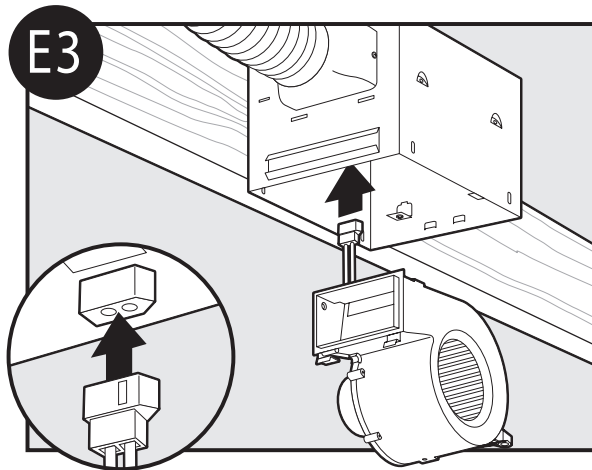


Connect the wiring as shown.

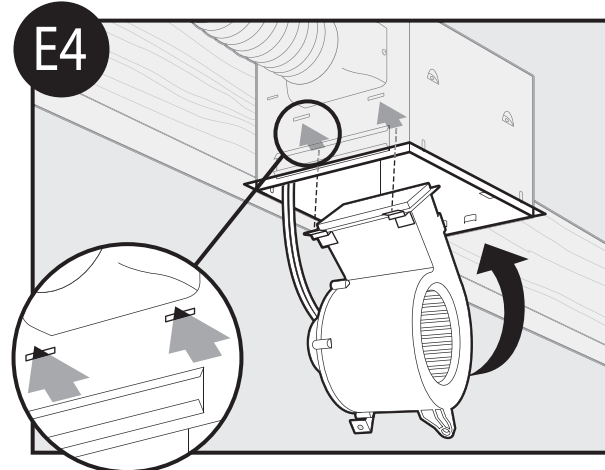


Install the wiring cover box. Make sure all wiring connections are inside the wiring cover box.

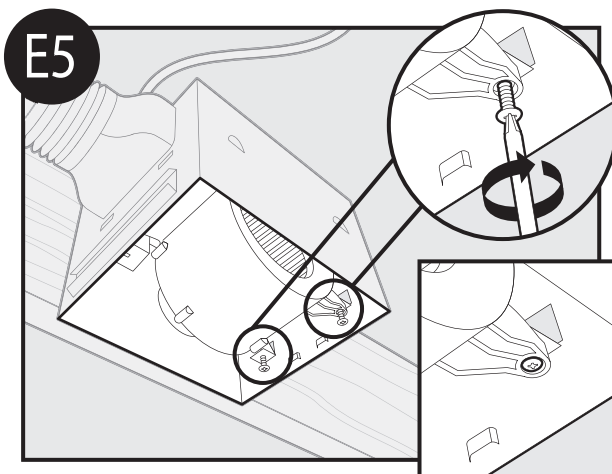
NOTE: Though this final installation section shows the housing mounted to a joist, the final installation procedure is the same whether the housing is mounted to a joist or suspended between joists.



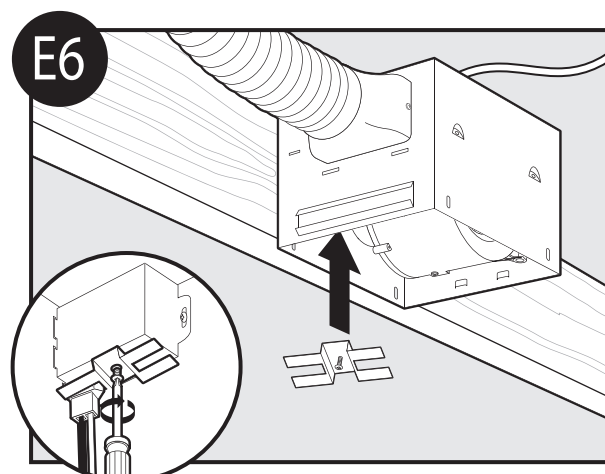
Connect fan wiring harness. **DO NOT ALLOW THE FAN TO HANG FROM THE WIRING HARNESS.**



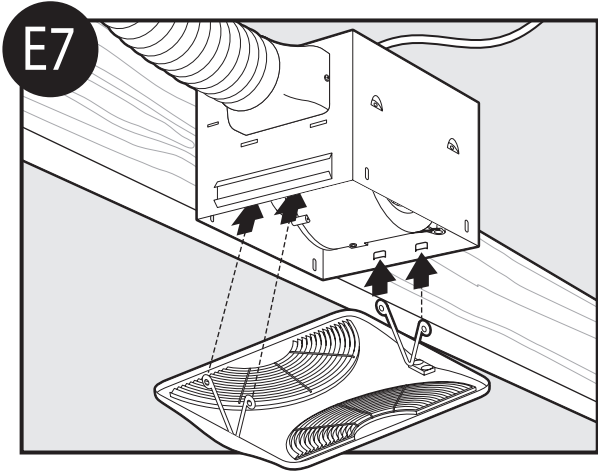
Install the fan assembly by inserting the tabs as shown and pushing the fan assembly into the housing. Make certain the wiring is not pinched between the fan assembly and the housing.



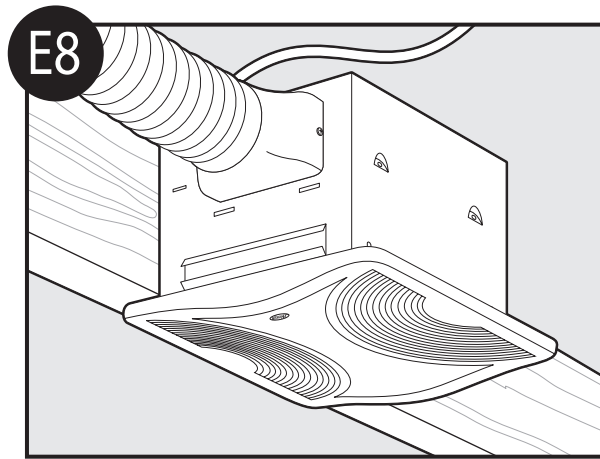
Secure the fan assembly by tightening the two fan mounting screws.



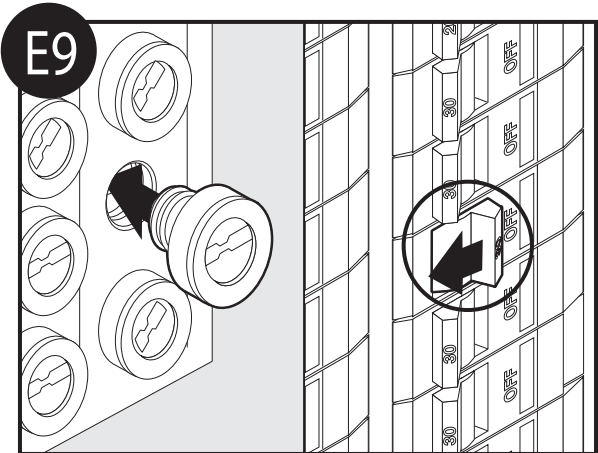
Install the strain relief bracket.



Install the bezel by inserting the wire clips into the tabs on the inside of the housing.



Complete.



Restore power at the source.

## Preventative Maintenance

A clean fan provides better service. Disconnect the power supply and clean the fan as listed below.

**TO CLEAN THE BEZEL:** Carefully pull the bezel down. Use water, a mild detergent such as dishwashing liquid, and a soft cloth to clean the bezel. **DO NOT** use abrasive cloths, steel wool pads, or scouring powders. Dry the bezel and reinstall it.

**TO CLEAN THE FAN ASSEMBLY:** Disconnect power to the unit by switching off the breaker or removing the fuse. Turn the wall switch off. Remove the bezel (as described above). Remove the two fan mounting screws. Remove the fan from the housing and unplug the fan wiring harness.

Gently vacuum the fan, motor, and the housing interior.

When the fan is clean, plug in the fan wiring harness. Reinstall the fan and tighten the two fan mounting screws. Reinstall the bezel.

Restore power to the appliance. Test the appliance. If the fan does not run, 1) check the power source, or 2) disconnect power to the appliance, disassemble as described above, check the fan assembly plug, restore power, and test the unit. If the fan still does not run, contact a qualified installer.

**NEVER IMMERSE METAL OR ELECTRICAL COMPONENTS IN WATER.**

## Maintenance

The fan motor is permanently lubricated and never needs oiling. If the motor bearings are making excessive or unusual noises, contact Hunter Technical Support (see Troubleshooting section) to order a new fan assembly.

## Trouble Shooting

**Problem:** Fan does not come on.

**Solution:**

- Turn power on, replace fuse, or reset breaker.
- Hunter Fan Bath Ventilators are extremely quiet. To confirm that the fan is running, place your hand near the vents to feel the air movement.
- Check all plug connections to be sure they are secure.
- Check the wiring to make sure it matches the wiring diagram.

**Problem:** Fan is noisy.

**Solution:**

- Check and tighten all fasteners.
- Check the bezel to make sure it is secure.
- Check the flapper to make sure it moves freely.



## Trouble Shooting (cont.)

If you need parts or service assistance, please call 888-830-1326 or visit us at our website at <http://www.hunterfan.com>.

### Warranty

Hunter Fan Company  
Bath Fan  
LIMITED WARRANTY

Hunter Fan Company makes the following limited warranty to the original user or consumer purchaser of this Hunter Bath Fan:

If any part of your Hunter Bath Fan fails at any time within one year after the date of sale to you due to a defect in material or workmanship, we will repair or, at our option, replace the defective part free of charge for parts and labor performed at our Service Department in Memphis, Tennessee. After this one-year period, you will be responsible for all parts and labor costs for repairs on the Bath Fan except for motor repairs as provided below.

If your Hunter Bath Fan motor fails at any time within five years after the date of sale to you due to a defect in material or workmanship, labor and materials to repair the defect will be provided free of charge at our Service Department in Memphis, Tennessee. If no replacement part can be provided, we will, at our option, either refund the actual purchase price of your Bath Fan or provide a replacement free of charge. After this five-year period, you will be responsible for all parts and labor costs for repairs on all parts of the bath exhaust fan.

IF THE ORIGINAL USER OR CONSUMER PURCHASER CEASES TO OWN THE FAN, THIS WARRANTY AND ANY IMPLIED WARRANTY WHICH THEN REMAINS IN EFFECT, INCLUDING BUT NOT LIMITED TO ANY IMPLIED WARRANTY OF MERCHANTABILITY OR FITNESS FOR A PARTICULAR PURPOSE, ARE VOIDED. NO WARRANTY, EXPRESS OR IMPLIED, INCLUDING ANY WARRANTY OF MERCHANTABILITY OR FITNESS FOR A PARTICULAR PURPOSE, IS MADE IN RESPECT OF GLASS FIXTURES OR LIGHT BULBS OR THE FINISH ON ANY METAL PORTION OF THE BATH EXHAUST FAN.

THIS WARRANTY IS IN LIEU OF ALL OTHER EXPRESS WARRANTIES. THE DURATION OF ANY IMPLIED WARRANTY, INCLUDING, BUT NOT LIMITED TO, ANY IMPLIED WARRANTY OF MERCHANTABILITY OR FITNESS FOR A PARTICULAR PURPOSE, IN RESPECT TO ANY HUNTER FAN BATH FAN MOTOR OR OTHER FAN PART, IS EXPRESSLY LIMITED TO THE PERIOD OF THE EXPRESS WARRANTY SET FORTH ABOVE FOR SUCH MOTORS OR OTHER PARTS.

This warranty is voided if your Hunter Bath Fan is not purchased and installed in the U.S.A. This warranty excludes and does not cover defects, malfunctions or failures of any Hunter Bath Fan which were caused by repairs by persons not authorized by us, use of parts or accessories not authorized by us, mishandling, improper installation, modifications or damage to the Hunter Bath Fan while in your possession, or unreasonable use, including failure to provide reasonable and necessary maintenance.

To obtain servicing, contact Hunter Fan Company Technical Support at 1-888-830-1326. Please contact us before shipping your Bath Fan to us. If we authorize you to ship it to us, you will be responsible for all insurance and freight or other transportation charges to our factory or Service Department. We will return your Hunter Bath Fan freight prepaid. Your Hunter Bath Fan should be properly packed to avoid damage in transit since we will not be responsible for any such damage. Proof of purchase is required when requesting warranty service. The purchaser must present the sales receipt or other document that establishes proof of purchase.

IN NO EVENT SHALL HUNTER FAN COMPANY BE LIABLE FOR CONSEQUENTIAL OR INCIDENTAL DAMAGES.

SOME STATES DO NOT ALLOW LIMITATIONS ON HOW LONG AN IMPLIED WARRANTY LASTS OR THE EXCLUSION OR LIMITATION OF INCIDENTAL OR CONSEQUENTIAL DAMAGES SO THE ABOVE LIMITATION OR EXCLUSIONS MAY NOT APPLY TO YOU.

THE WARRANTY GIVES YOU SPECIFIC LEGAL RIGHTS AND YOU MAY ALSO HAVE OTHER RIGHTS WHICH VARY FROM STATE TO STATE.

Printed in China

