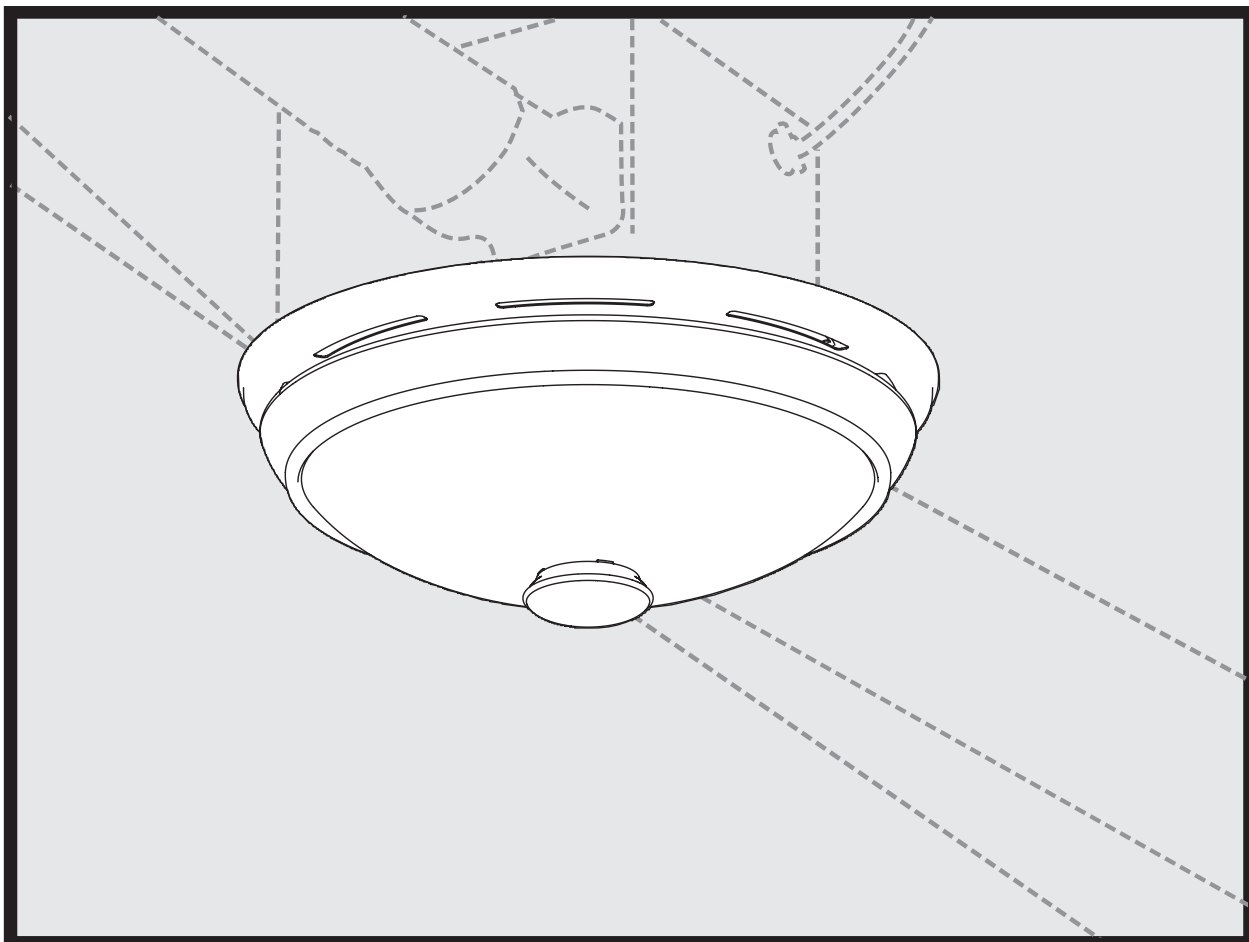




SINCE

1886

I n s t a l l a t i o n G u i d e



Model 81021 Victorian Bath Ventilator with Light
READ and SAVE THESE INSTRUCTIONS

ENGLISH
See page 2

ESPAÑOL
Vea la página 23

FRANÇAIS
Consulter la page 45

! WARNING

TO REDUCE THE RISK OF FIRE, ELECTRIC SHOCK, OR INJURY TO PERSONS, OBSERVE THE FOLLOWING:

1. Use this unit only in a manner intended by the manufacturer. If you have questions, contact the manufacturer.
2. Before servicing or cleaning the unit, switch power off at service panel and lock the service disconnecting means to prevent power from being switched on accidentally. When the service disconnecting means cannot be locked, securely fasten a prominent warning device, such as a tag, to the service panel.
3. Installation work and electrical wiring must be done by qualified person(s) in accordance with all applicable codes and standards, including fire-rated construction.
4. Sufficient air is needed for proper combustion and exhausting of gasses through the flue (chimney) of fuel burning equipment to prevent backdrafting. Follow the heating equipment manufacturer's guideline and safety standards, such as those published by the National Fire Prevention Association (NFPA), and the American Society for Heating, Refrigeration and Air-Conditioning Engineers (ASHRAE), and the local code authorities.
5. When cutting or drilling into wall(s) or ceiling, do not damage electrical wiring or other hidden utilities.
6. Ducted fans must always be vented to the outdoors.
7. If this unit is to be installed over a tub or shower, it must be marked as appropriate for the application and be connected to a GFCI (Ground Fault Circuit Interrupter) - protected branch circuit.
8. Never place a switch where it can be reached from a tub or shower.
9. Install fan at least 5 feet (1.52 m) above the floor.
10. This unit must be grounded.
11. Unit must not be installed in a ceiling thermally insulated to a value greater than R40.

! CAUTION

1. For general ventilating use only. Do not use to exhaust hazardous or explosive materials and vapors.
2. To avoid motor bearing damage and noisy/unbalanced impellers, keep drywall spray, construction dust, etc. off power unit.
3. DO NOT install this product in a wall. This product is designed for installation in ceilings up to a 12/12 pitch (45 degrees). Ductwork must point upward.
4. Please read specification label on product for further information and requirements.

! WARNING

DISCONNECT ELECTRIC POWER SUPPLY AND LOCK OUT SERVICE PANEL BEFORE SERVICING UNIT

PREVENTATIVE MAINTENANCE

A clean fan provides better service. Disconnect the power supply and clean the fan as listed below.

TO CLEAN GRILLE: Use a mild detergent, such as dishwashing liquid, and a soft cloth. DO NOT use abrasive cloths, steel wool pads or scouring powders.

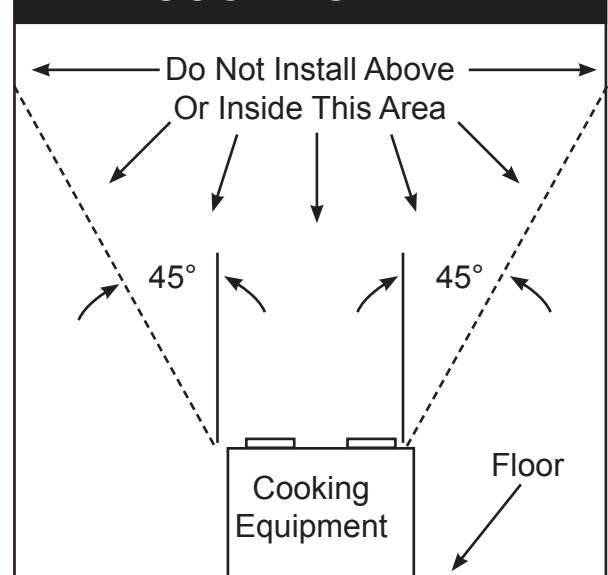
TO CLEAN FAN ASSEMBLY: Unplug motor cord from receptacle. To remove motor plate, find the single tab on the motor plate (located next to the receptacle). Push up rear motor plate tab while pushing out on the side of the housing or insert a screwdriver into the slot in the housing (next to tab) and twist screwdriver. Gently vacuum fan, motor and interior of housing.

METAL AND ELECTRICAL PARTS SHOULD NEVER BE IMMERSSED IN WATER.

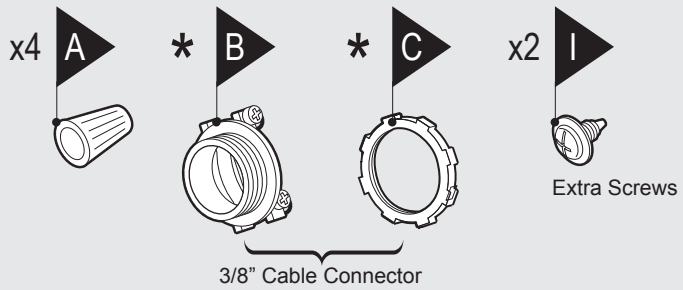
MAINTENANCE

The motor is permanently lubricated and never needs oiling. If the motor bearings are making excessive or unusual noises, replace the motor with the exact service motor. You should replace the impeller at the same time.

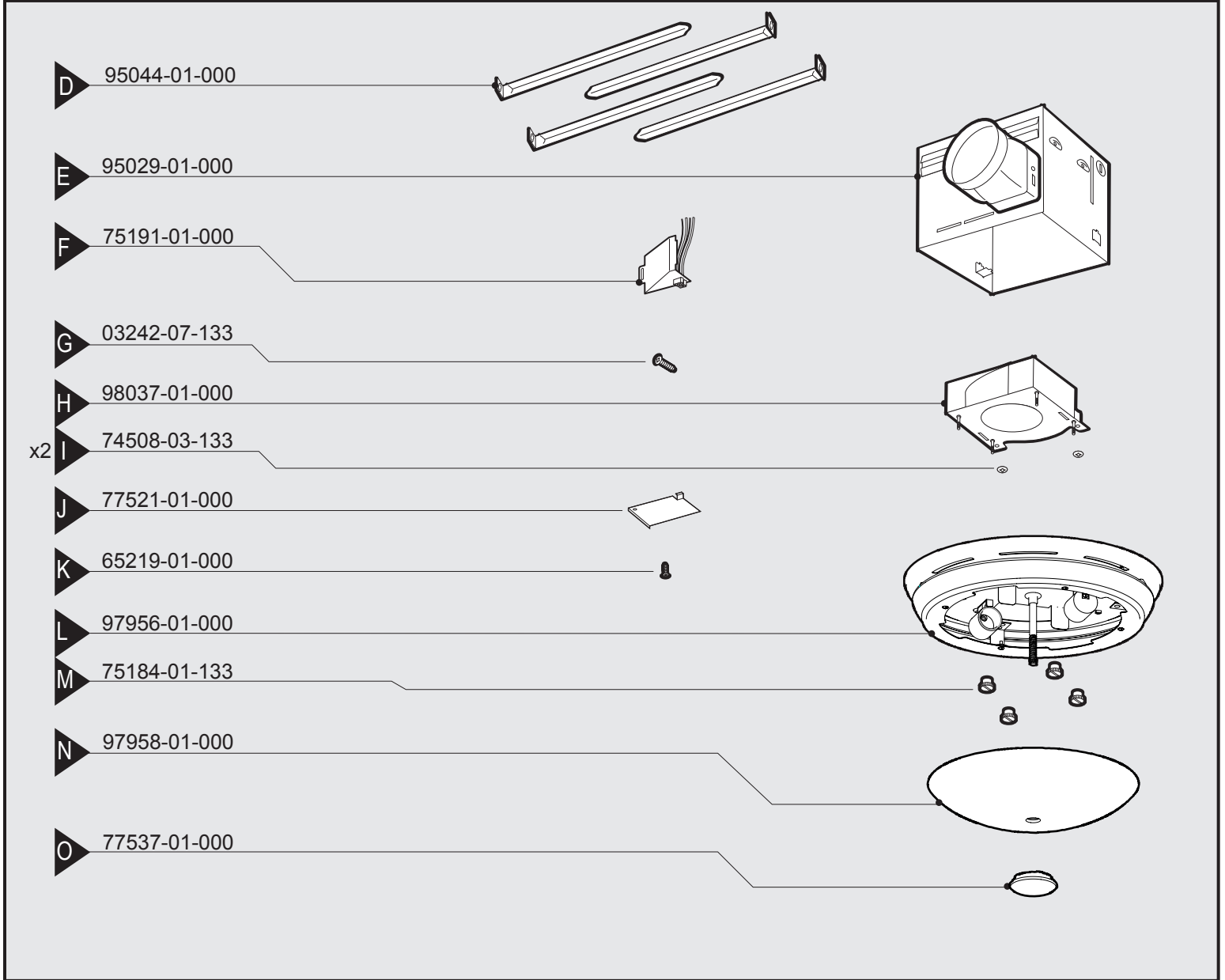
COOKING AREA



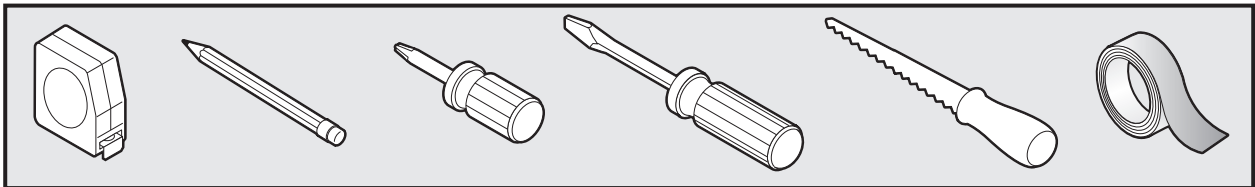
**Check all the parts.
If damaged, call
1-888-830-1326
for replacements.**



* NOTE: Strain relief cable connector must be installed. Not Included.



Included.

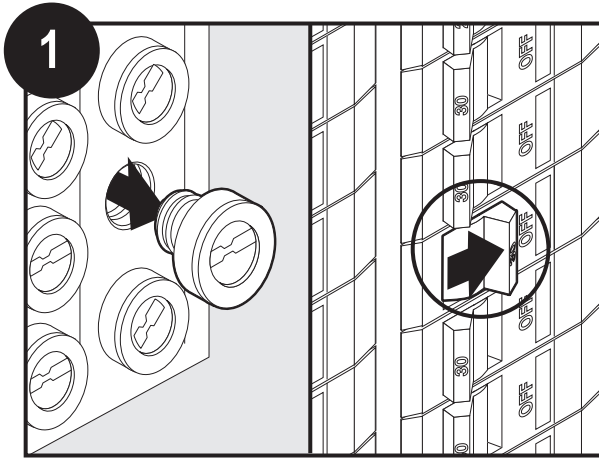


Tools Needed.

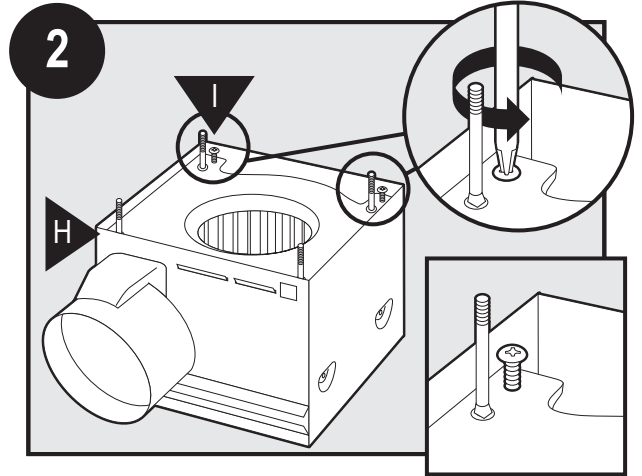
Estimated assembly time: 30 to 60 minutes

Before Installation

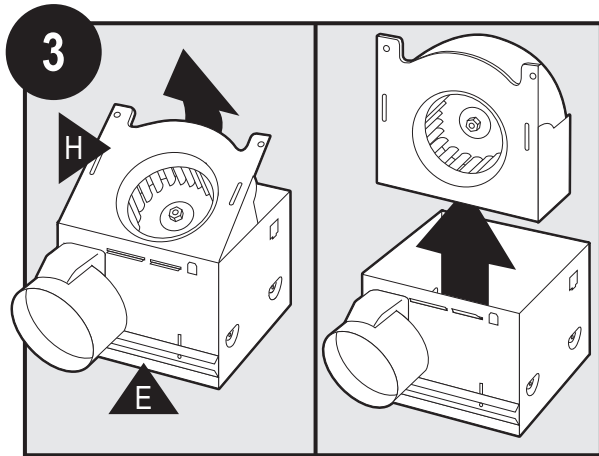
NOTE: Remove all packing materials before installation.



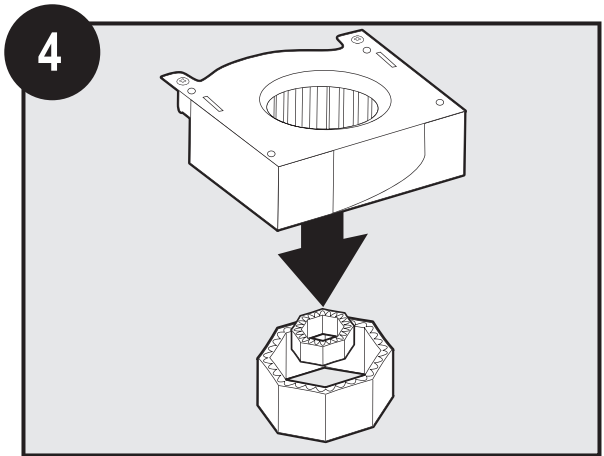
Turn off the power source.



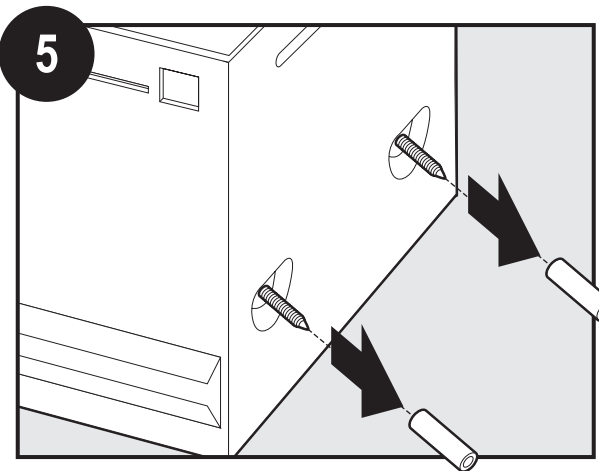
Loosen screws.



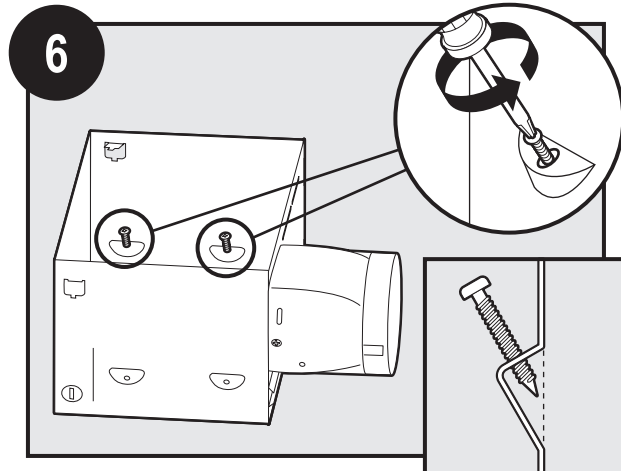
Remove the motor/blower from the housing.



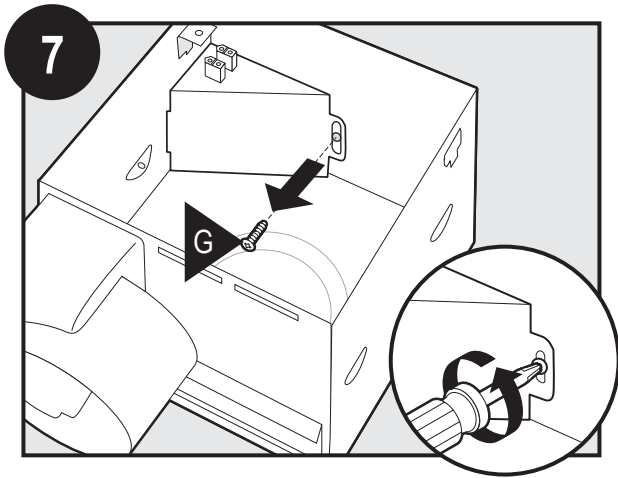
Remove packing material.



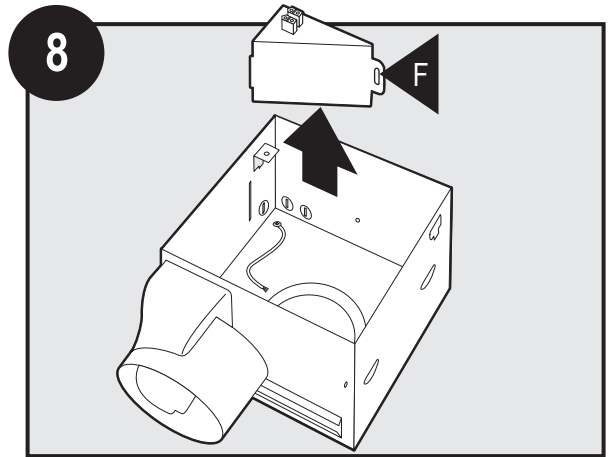
Remove the pre-loaded screw tip covers.



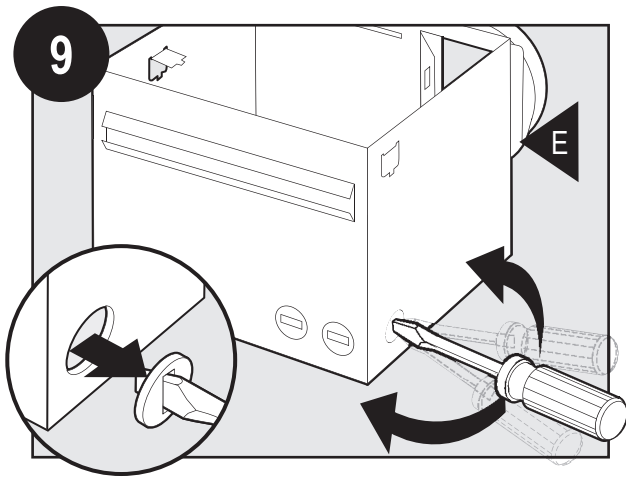
Back out the pre-loaded screw tips until flush with the side of the housing.



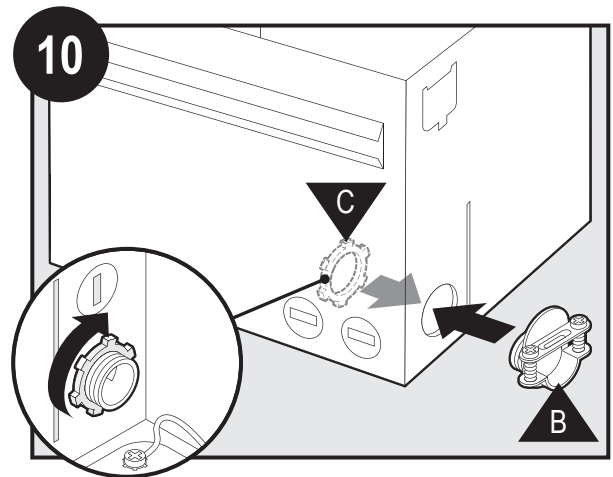
Remove the wiring cover screw.



Remove the wiring cover.



Pop out the first wiring access slug. Use second if needed.

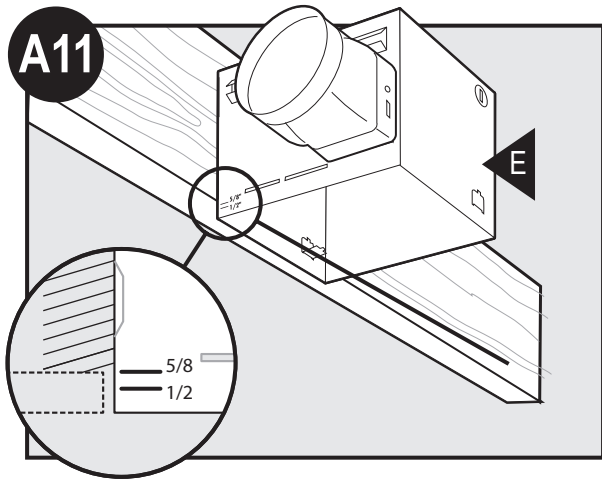


Insert the strain relief into the housing and secure with the washer.

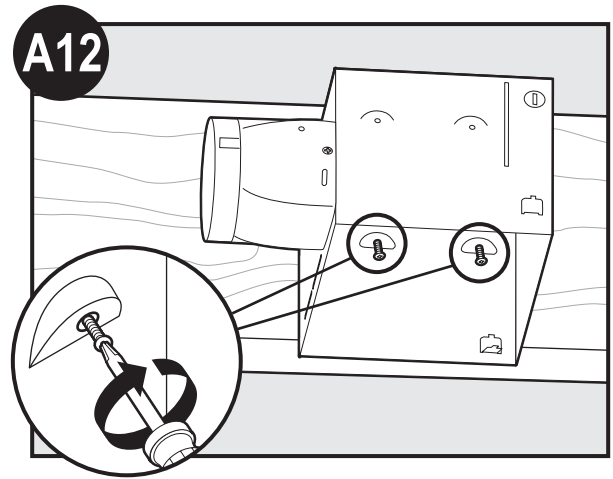
Choose Installation Option

- For New Construction - attaching to joist go to step A11, page 6
- For New Construction - suspended between joists go to step B11, page 8
- For Existing Construction - accessible from above go to step C11, page 11
- For Existing Construction - accessible only from below go to step D11, page 15

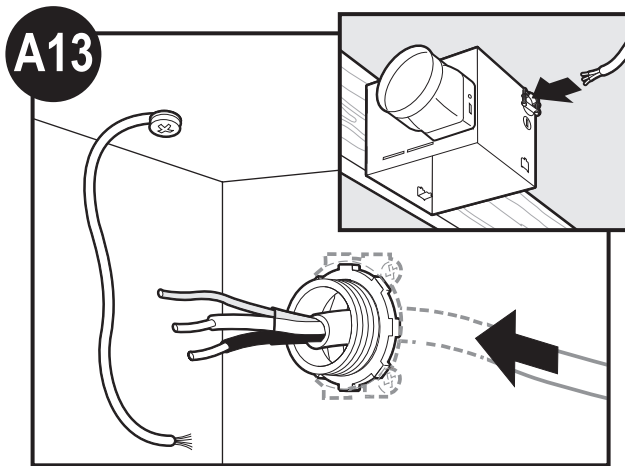
New Construction – attaching to joist



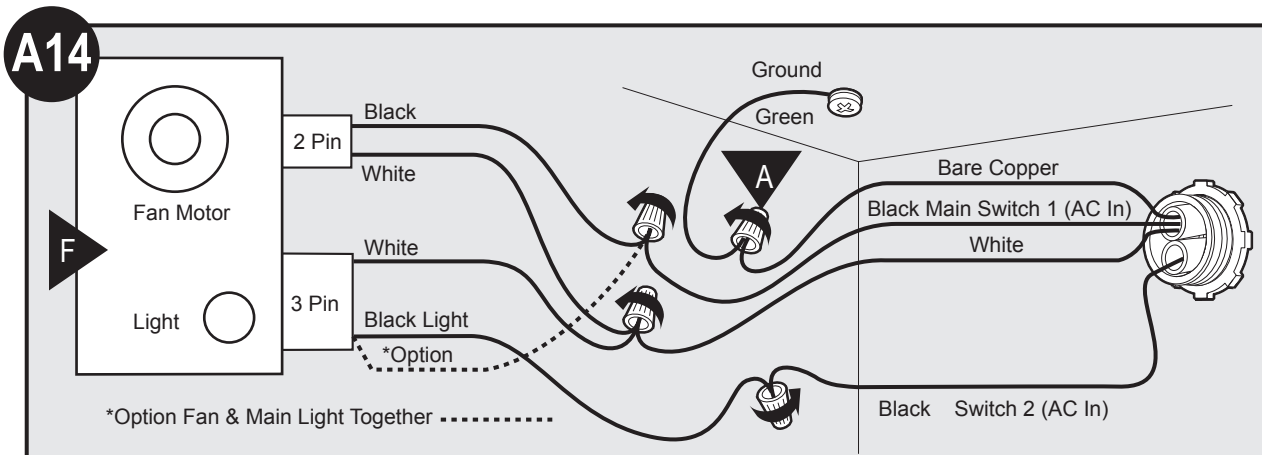
Position the correct depth mark at the bottom edge of the joist based on the thickness of your sheetrock.



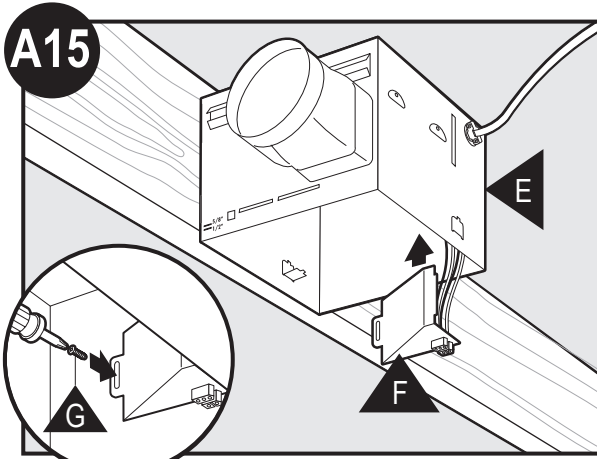
Screw pre-loaded screws into joist or framing.



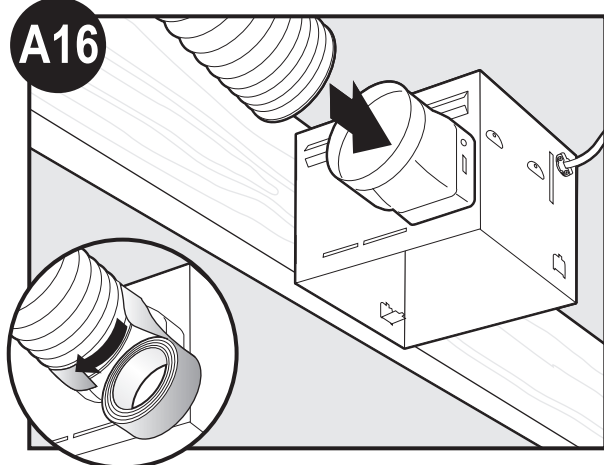
Pull wires through the strain relief.



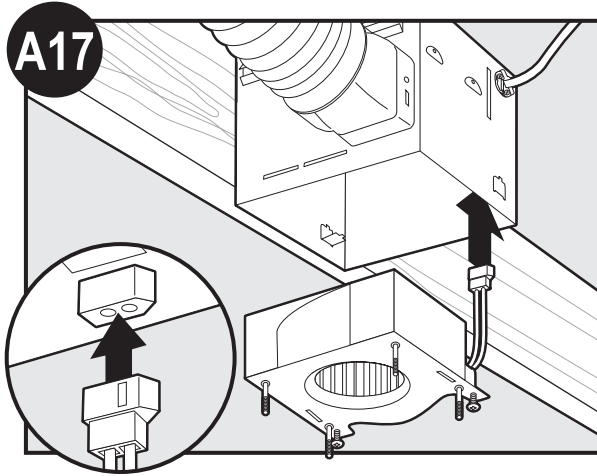
Connect wires as shown.



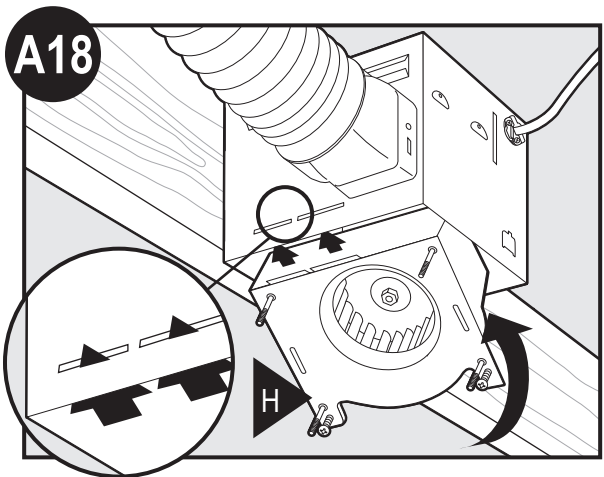
Install the wiring cover plate. Make sure all wiring connections are inside the box or under the wiring cover plate.



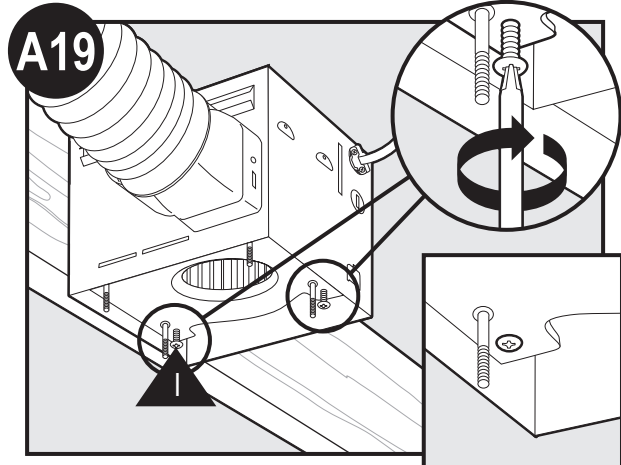
Connect 4" duct and vent to the outside. Tape joints. If ducting does not fit securely, an adapter may need to be purchased.



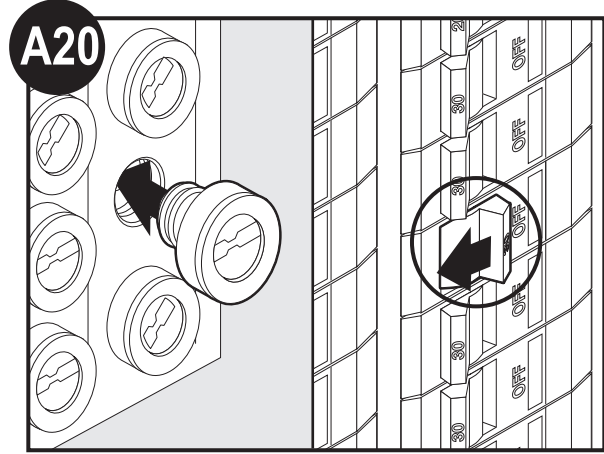
Connect wiring from the motor to the wiring cover plate.



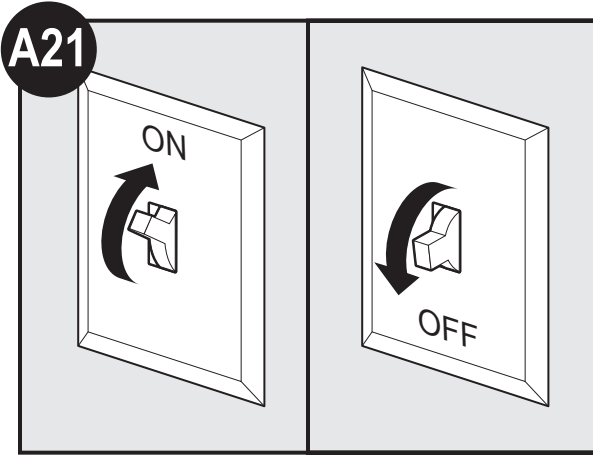
Reinstall the motor by inserting the tabs and pushing up into position. Make sure the wires are not pinched between the motor and the housing.



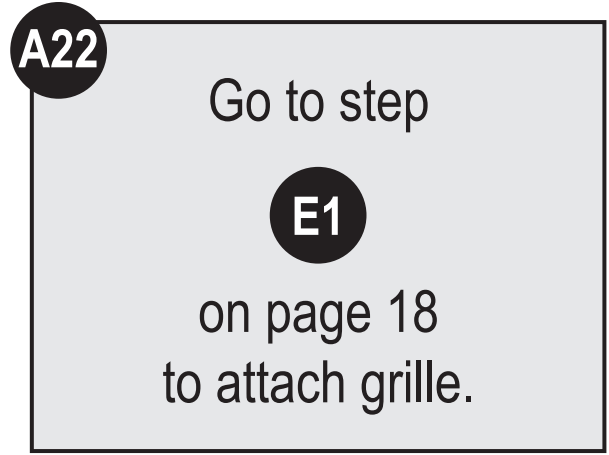
Secure the motor by tightening the 2 screws.



Turn on the power source.

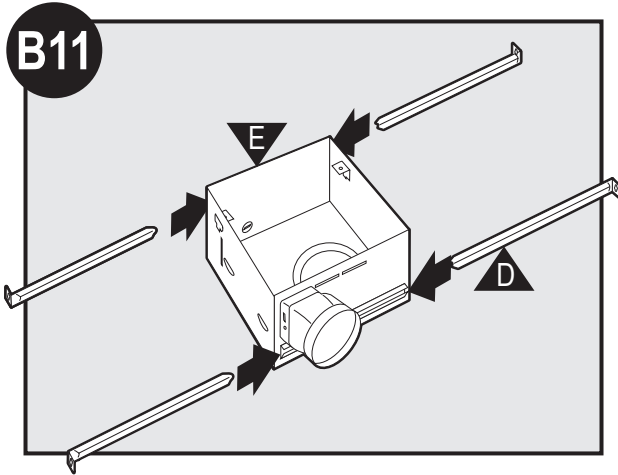


A21
Test the motor. If the motor does not run, check the plug connection.

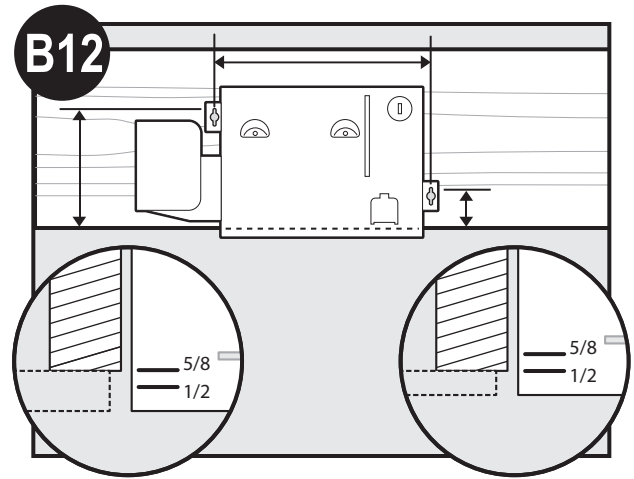


A22
Go to step
E1
on page 18
to attach grille.

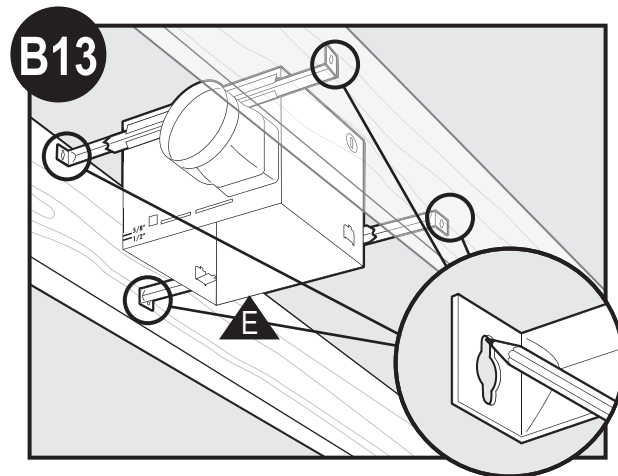
New Construction – suspended between joists



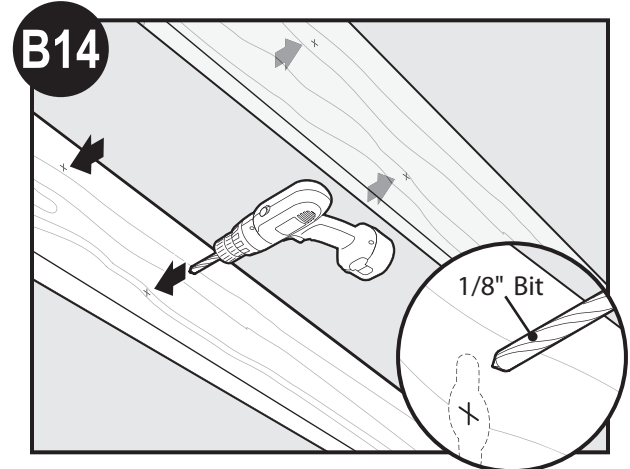
B11
Slide the mounting rails into brackets.



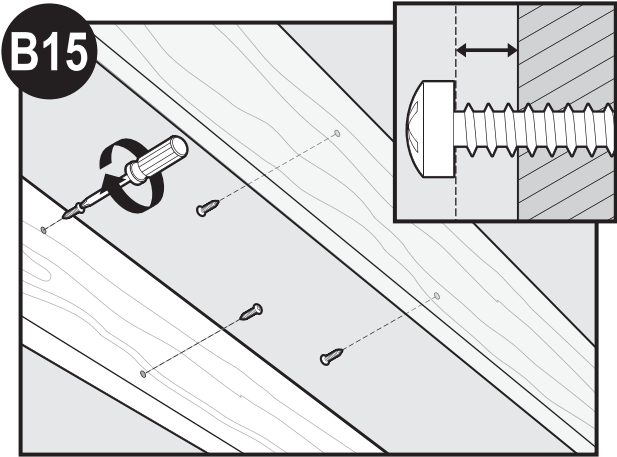
B12
Position the correct depth mark at the bottom edge of the joist based on the thickness of your sheetrock.



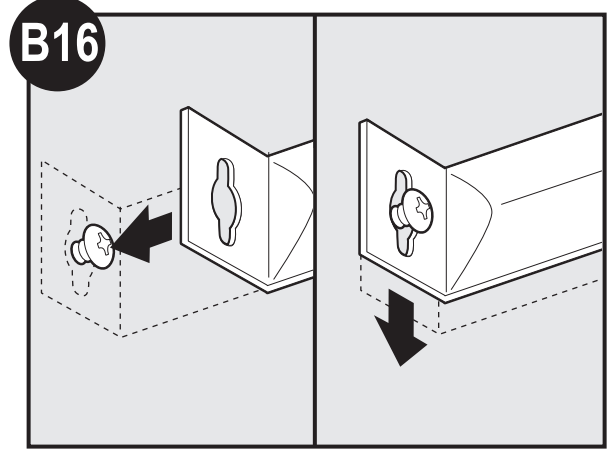
B13
Mark position of screws by using holes as a template.



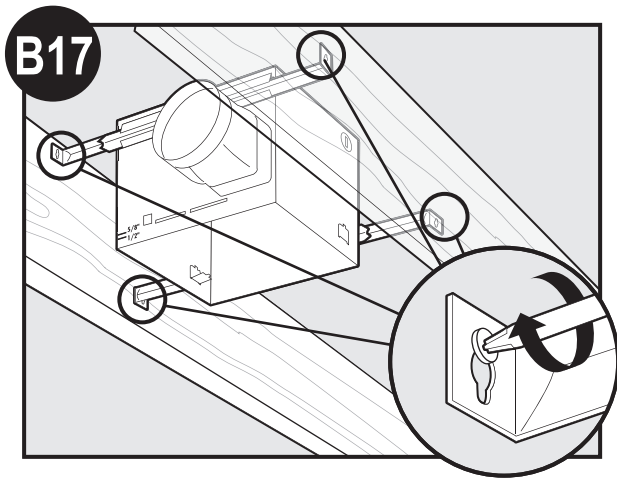
B14
Drill a hole in the center of each outline.



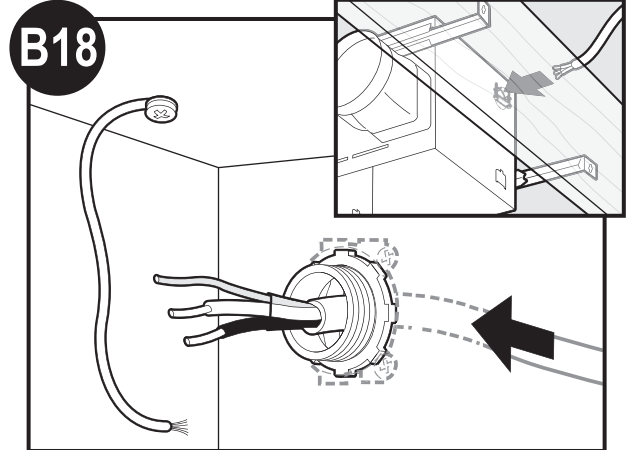
Insert screws, leaving space between the screw head and the joist. Screws are not provided.



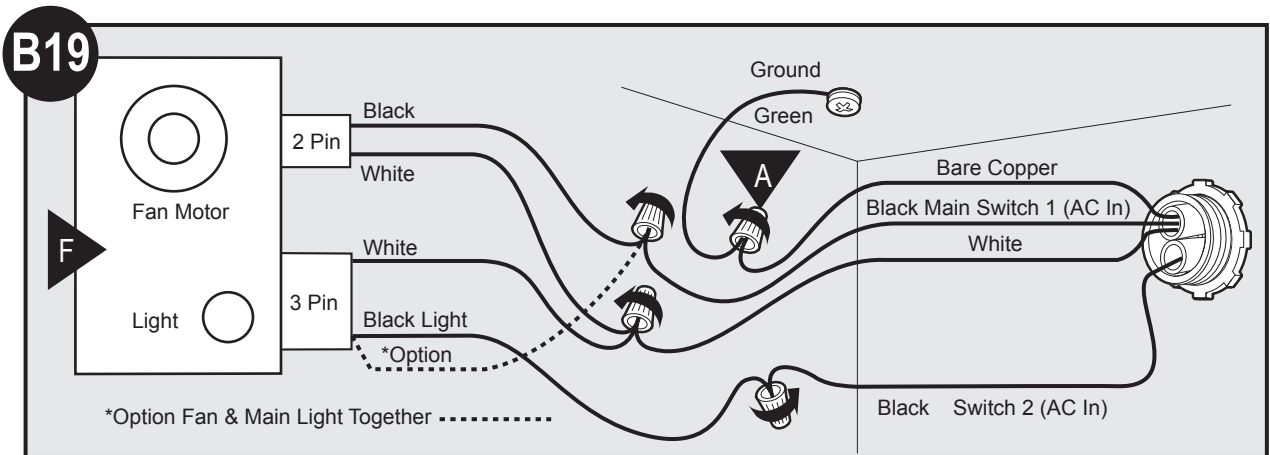
Attach the rails onto the screws.



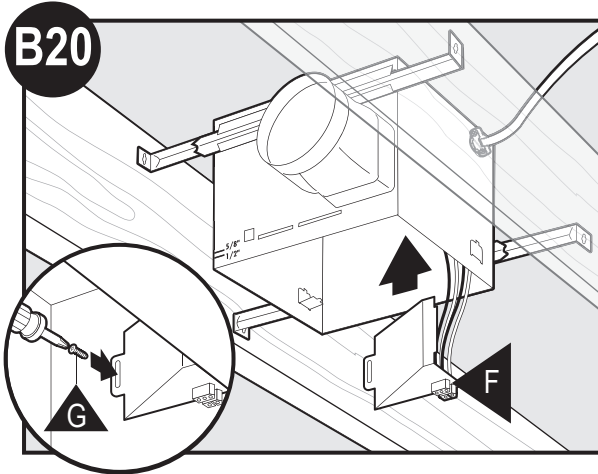
Tighten screws.



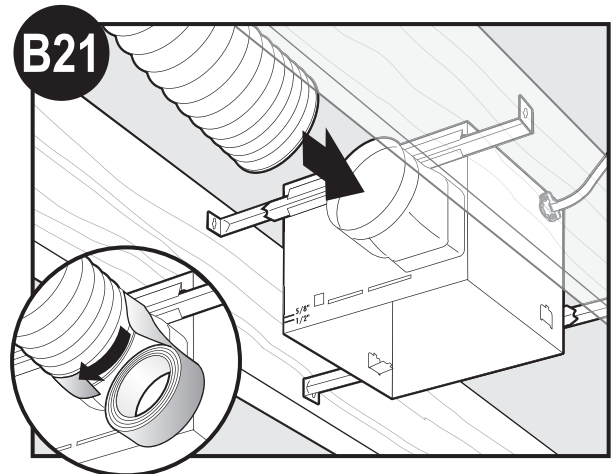
Pull wires through the strain relief.



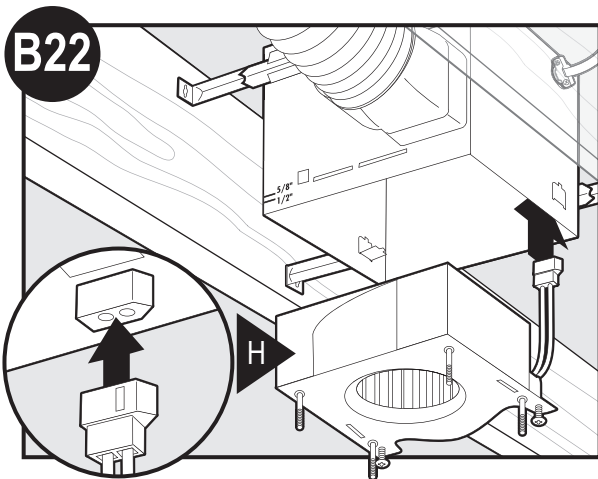
Connect wires as shown.



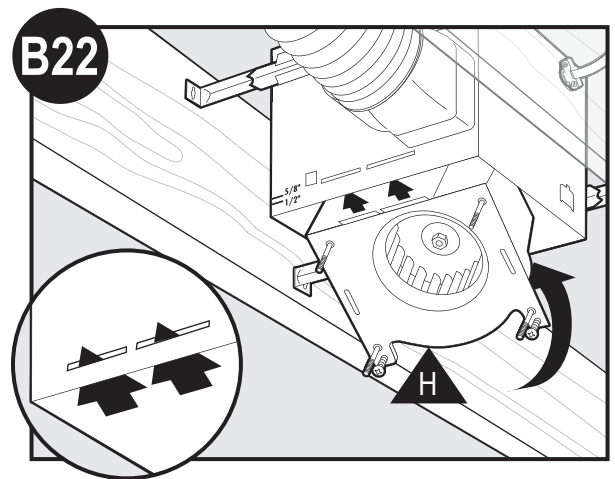
Install the wiring cover plate. Make sure all wiring connections are inside the box or under the wiring cover plate.



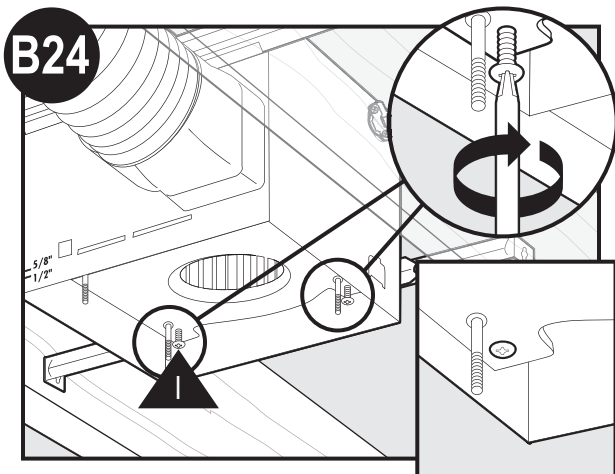
Connect 4" duct and vent to the outside. Tape joints. If ducting does not fit securely, an adapter may need to be purchased.



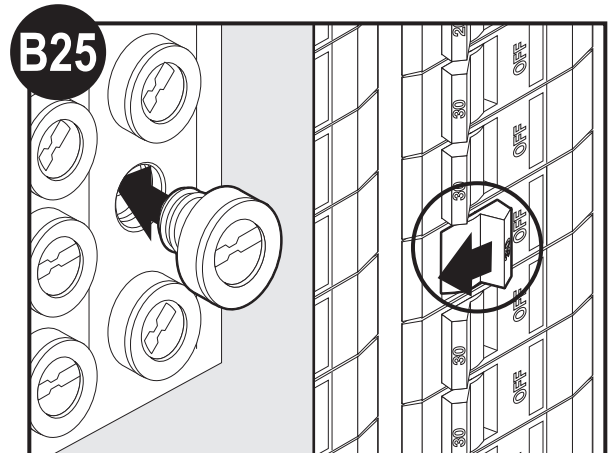
Connect wiring from the motor to the wiring cover plate.



Reinstall the motor by inserting the tabs and pushing up into position. Make sure the wires are not pinched between the motor and the housing.

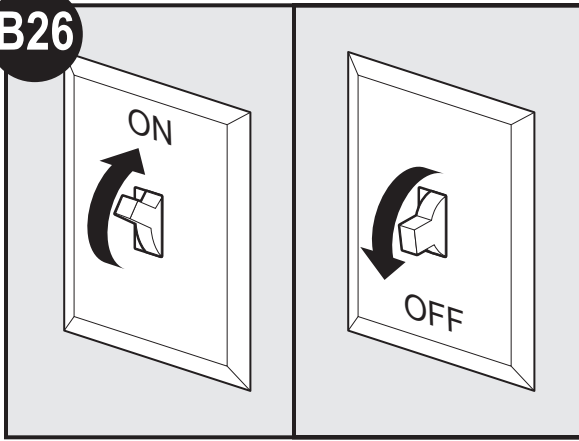


Secure the motor by tightening the 2 screws.



Turn on the power source.

B26



Test the motor. If the motor does not run, check the plug connection.

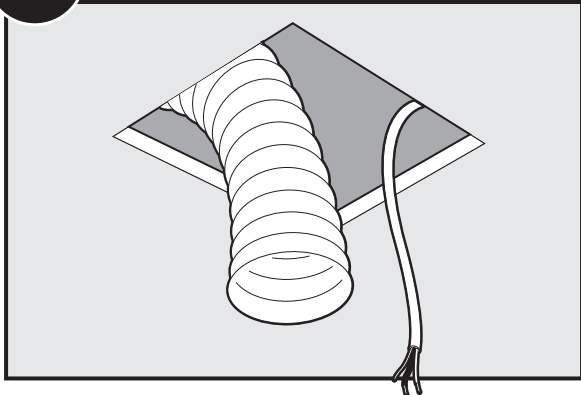
B27

Go to step
E1
 on page 18
 to attach grille.

Existing Construction – accessible from above

C11

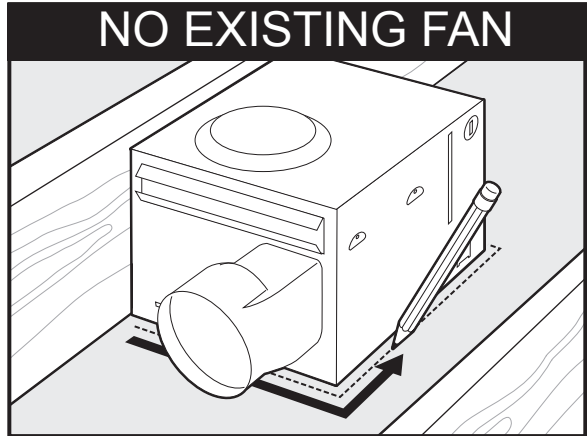
EXISTING FAN



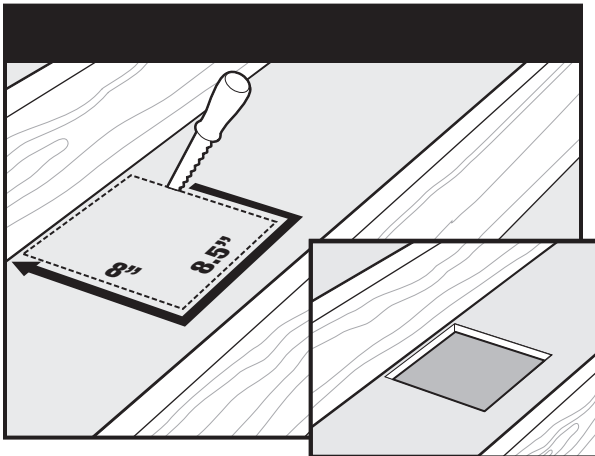
Remove an existing fan and check to make sure the opening is large enough to accommodate the new motor housing (8"x 8.5").

OR

NO EXISTING FAN

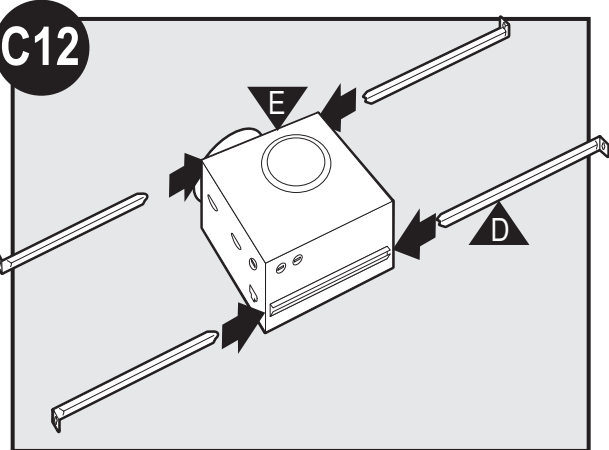


Use the motor housing as a template to mark position.

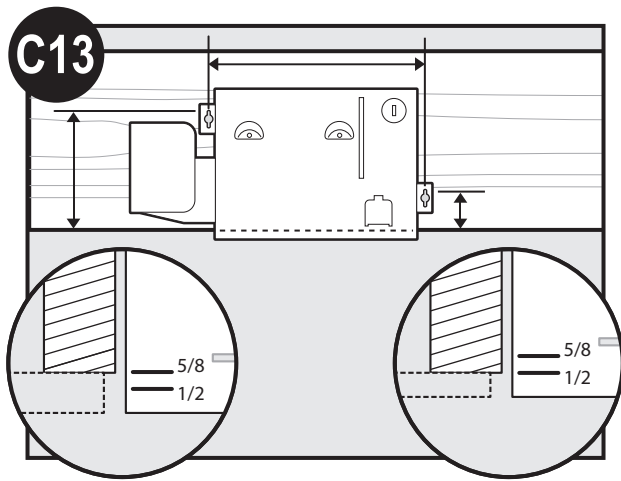


Cut out an opening for the housing.

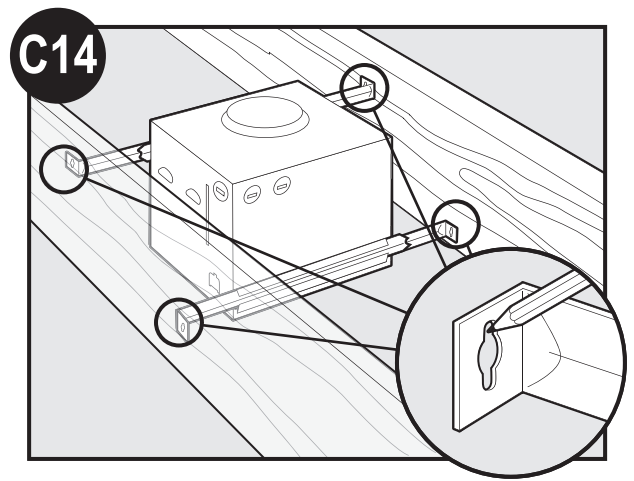
C12



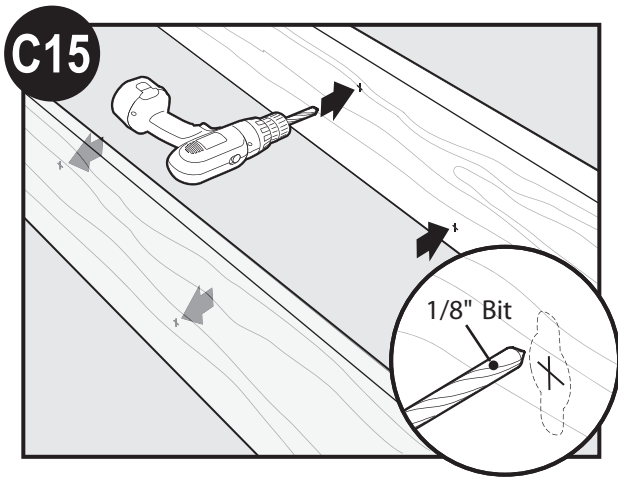
Slide the mounting rails into brackets.



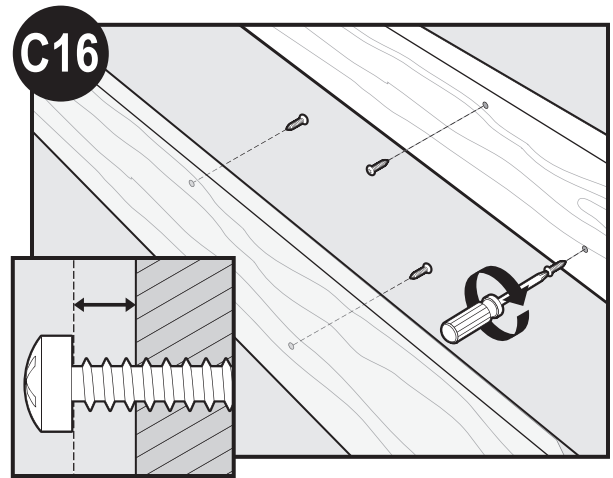
Position the correct depth mark at the bottom edge of the joist based on the thickness of your sheetrock.



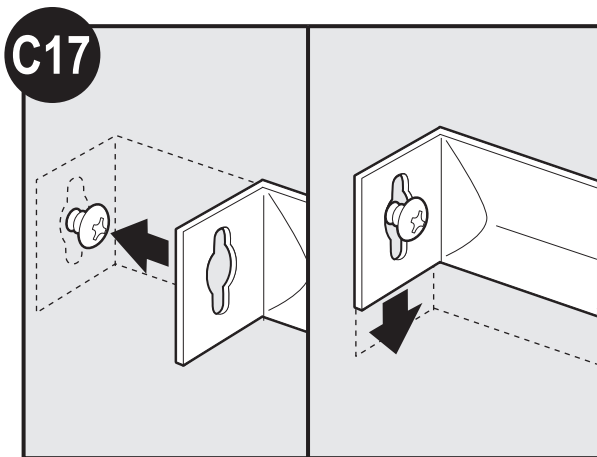
Mark position of screws by using holes as a template.



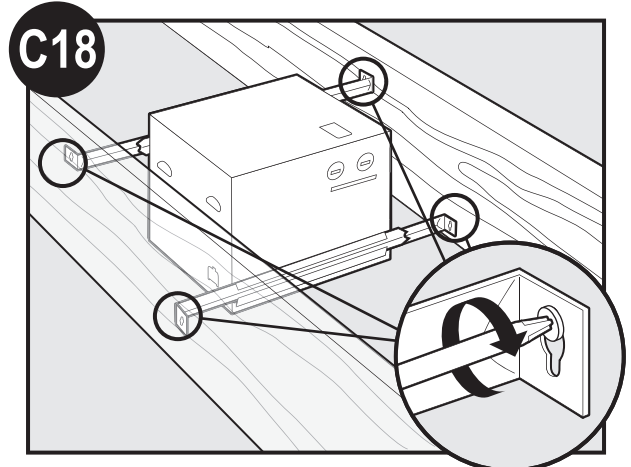
Drill a hole in the center of each outline.



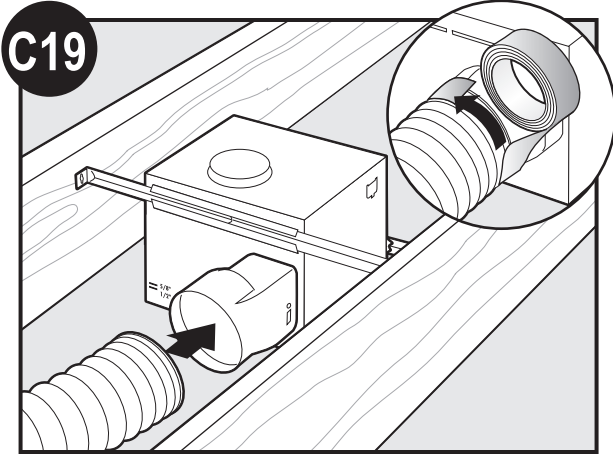
Insert screws, leaving space between the screw head and the joist. Screws are not provided.



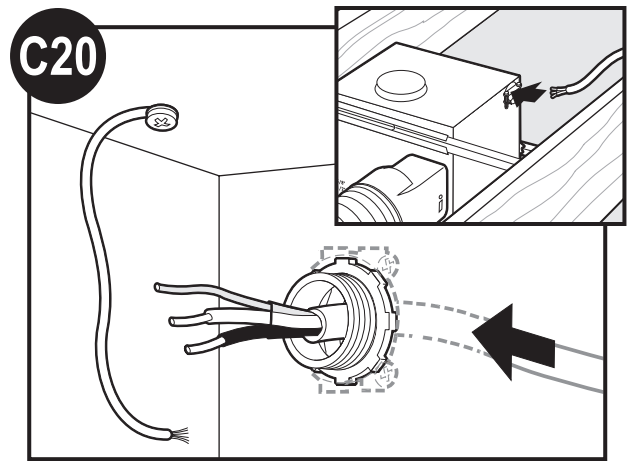
Attach the rails onto the screws.



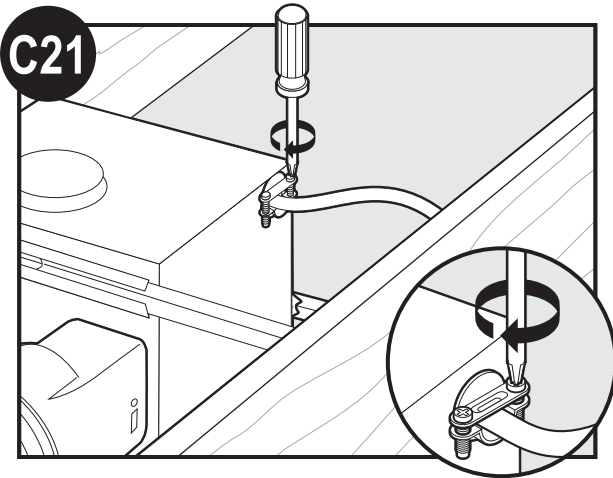
Tighten screws.



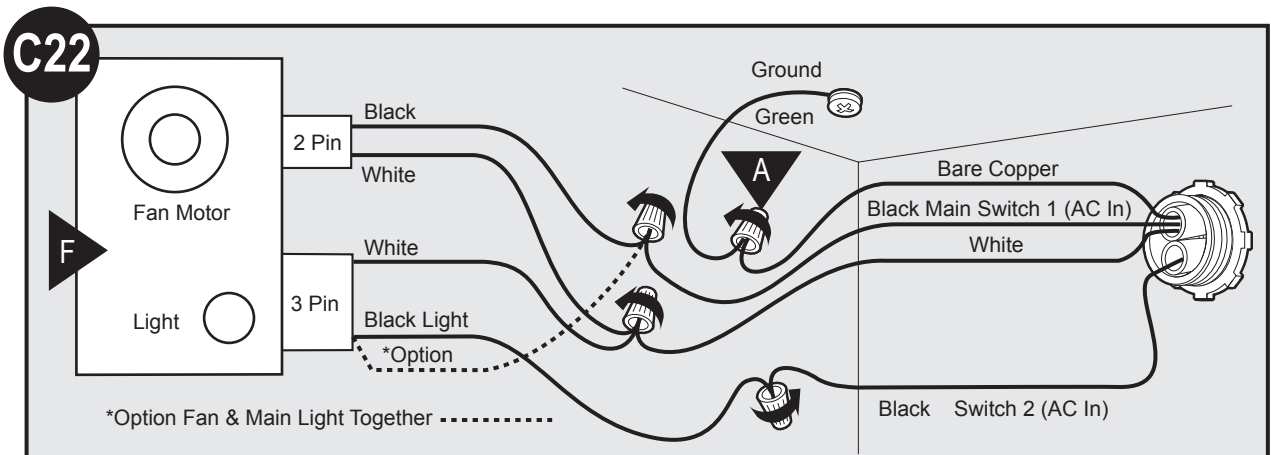
C19
Connect 4" duct and vent to the outside. Tape joints.
If ducting does not fit securely, an adapter may need to be purchased.



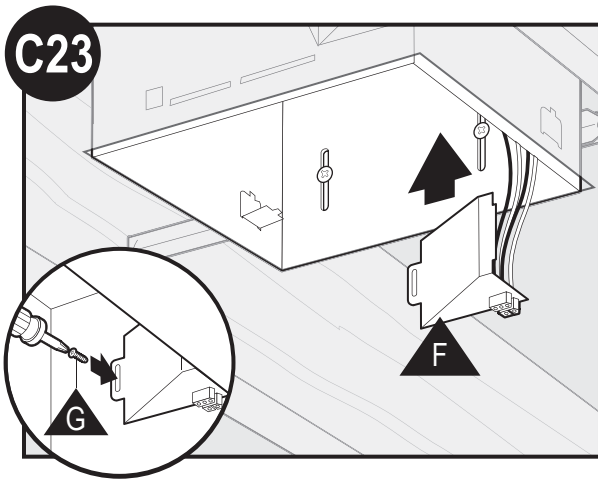
C20
Pull wires through the strain relief.



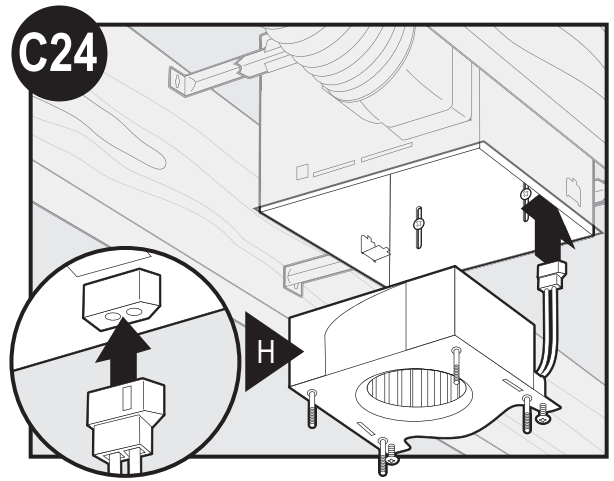
C21
Tighten the strain relief screws.



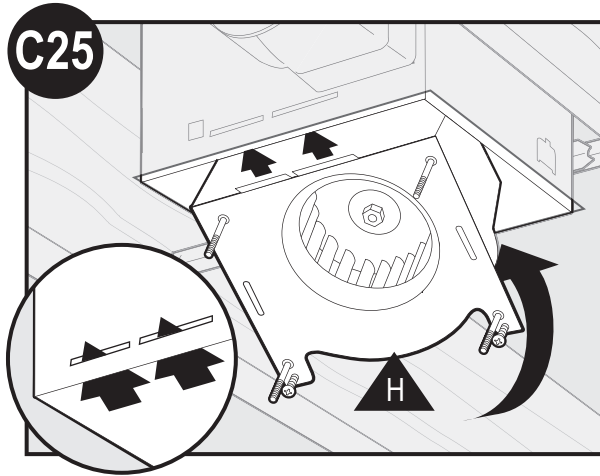
Connect wires as shown.



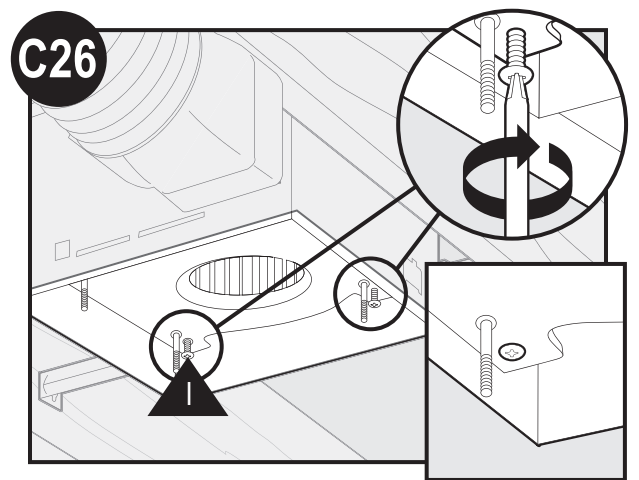
Install the wiring cover plate. Make sure all wiring connections are inside the box or under the wiring cover plate.



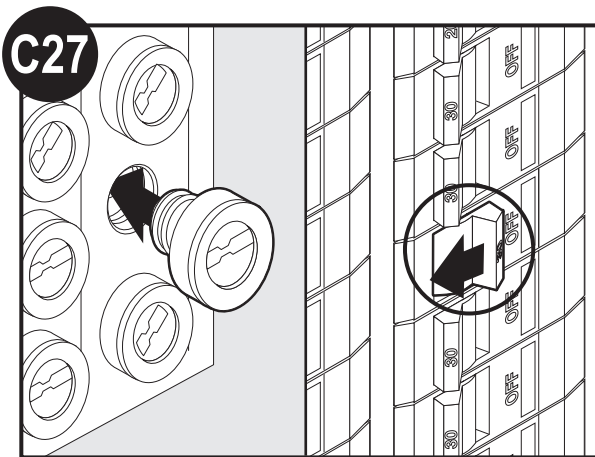
Connect wiring from motor the motor to the wiring cover plate.



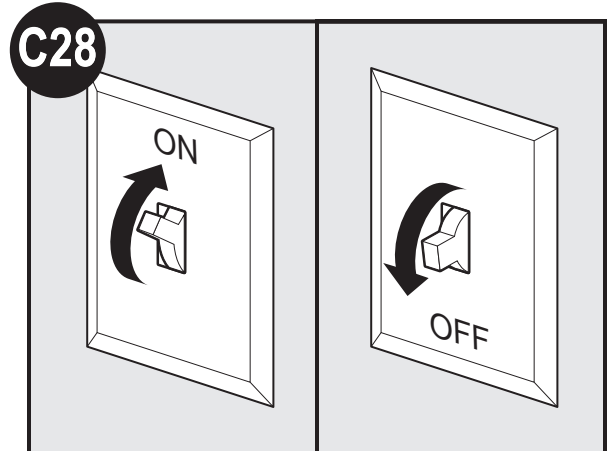
Reinstall the motor by inserting the tabs and pushing up into position. Make sure the wires are not pinched between the motor and the housing.



Secure the motor by tightening the 2 screws.



Turn on the power source.



Test the motor. If the motor does not run, check the plug connection.

C29

Go to step

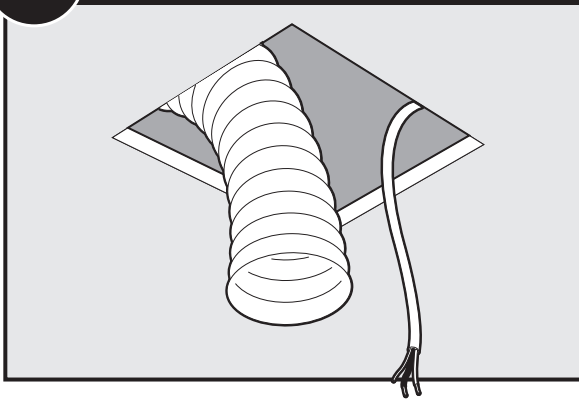
E1

on page 18
to attach grille.

Existing Construction – accessible only from below

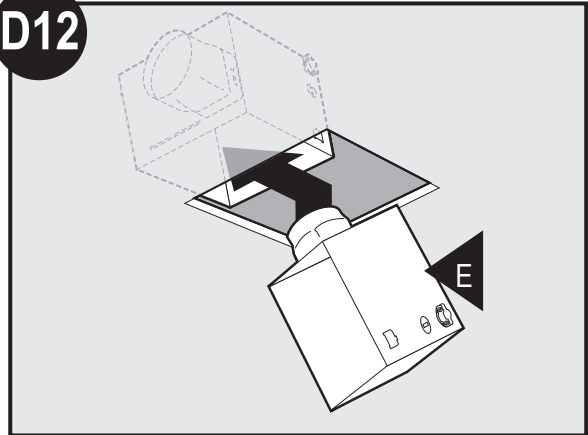
D11

EXISTING FAN



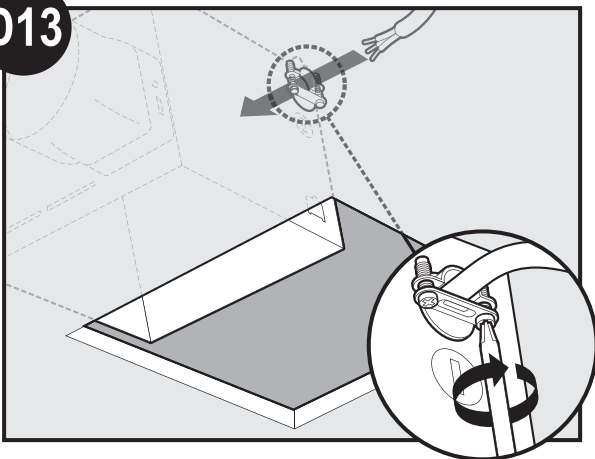
Remove an existing fan and check to make sure the opening is large enough to accommodate the new motor housing (8"x 8.5").

D12



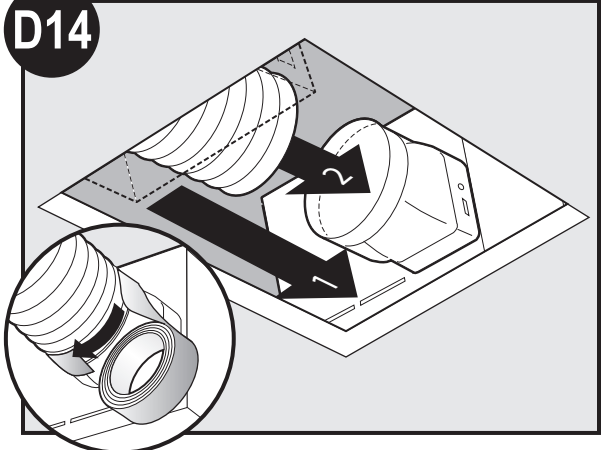
Move the housing into position above the ceiling.

D13

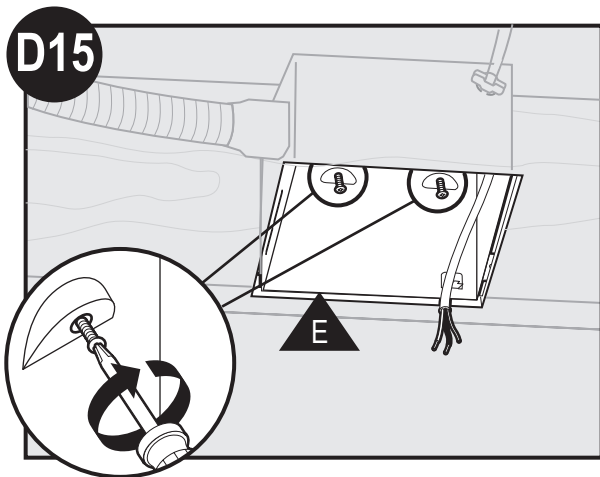


Pull wires through strain relief.

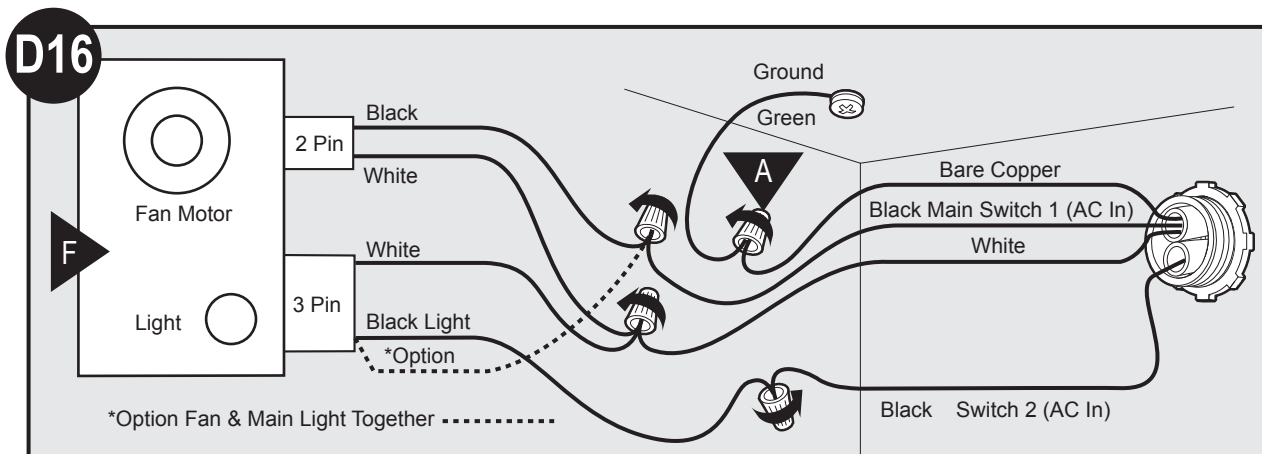
D14



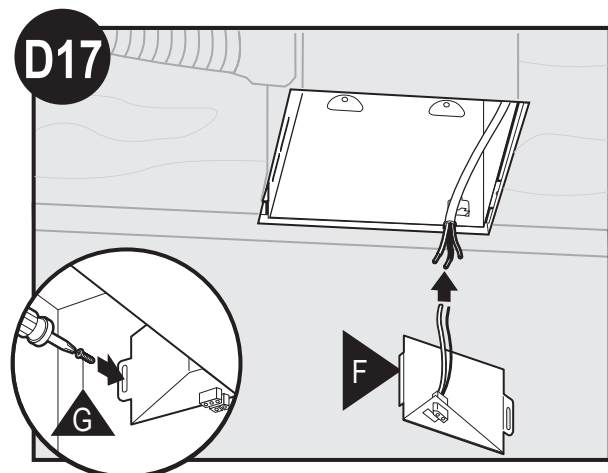
Attach existing ducting to duct connector. Tape joints.
If ducting does not fit securely,
an adapter may need to be purchased.



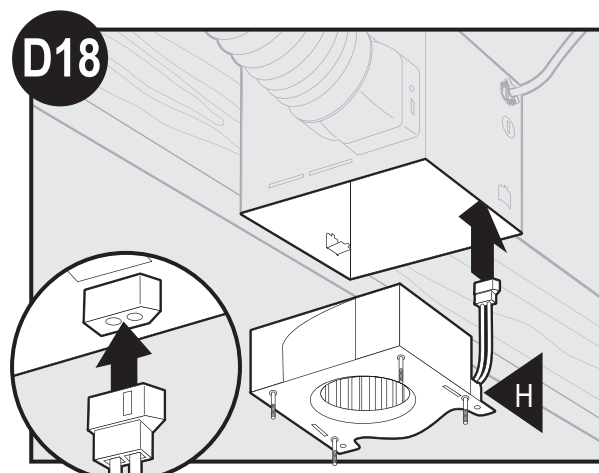
Install the housing flush with the sheetrock and secure by tightening the pre-loaded screws into the joist.



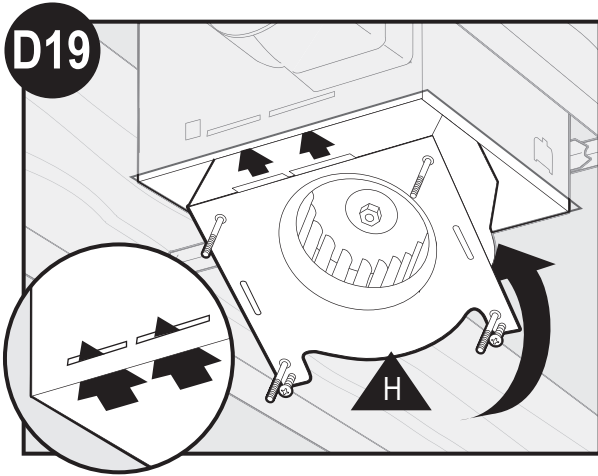
Connect wires as shown.



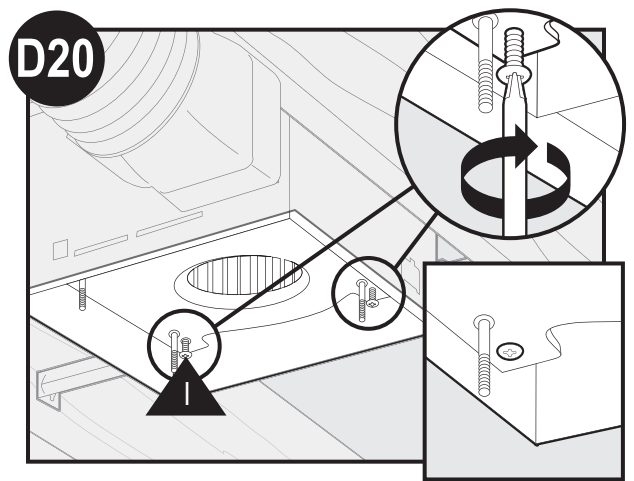
Install the wiring cover plate.



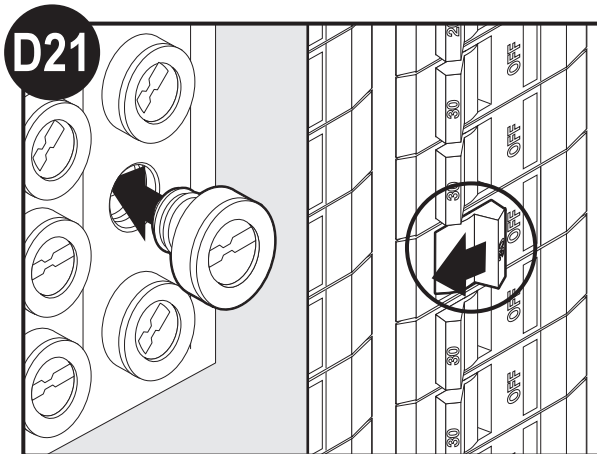
Connect wiring from the motor to the wiring cover plate.



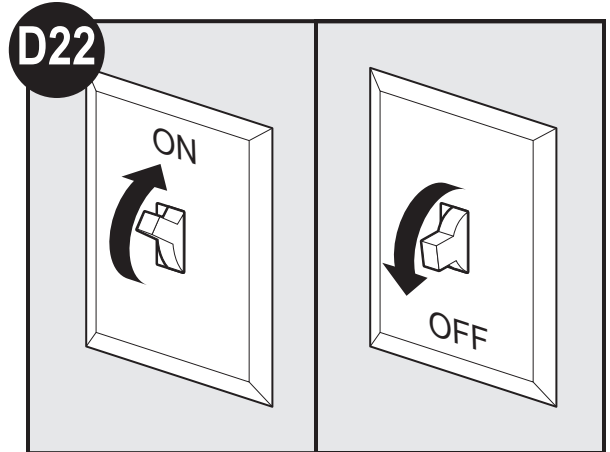
Reinstall the motor by inserting the tabs and pushing up into position. Make sure the wires are not pinched between the motor and the housing.



Secure the motor by tightening the 2 screws.



Turn on the power source.



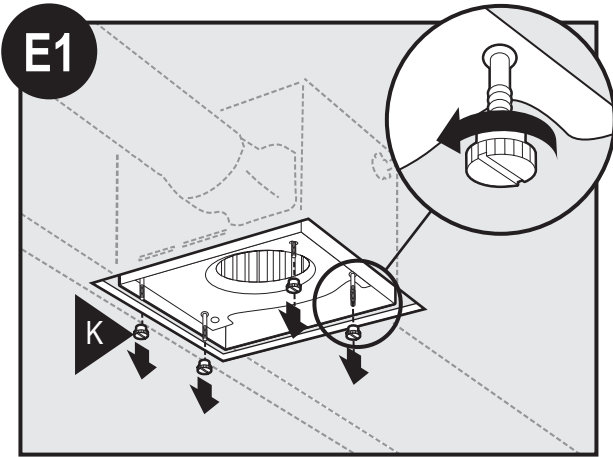
Test the motor. If the motor does not run, check the plug connection.

D23

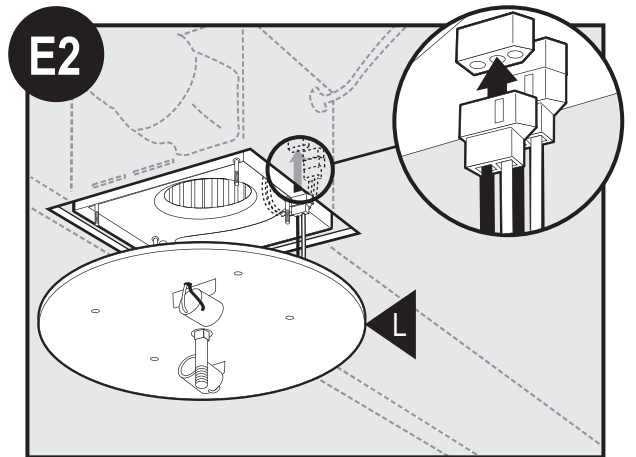
Go to step

E1

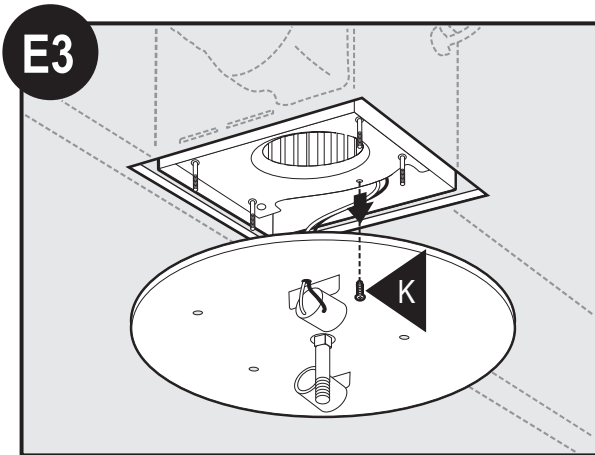
on page 18
to attach grille.



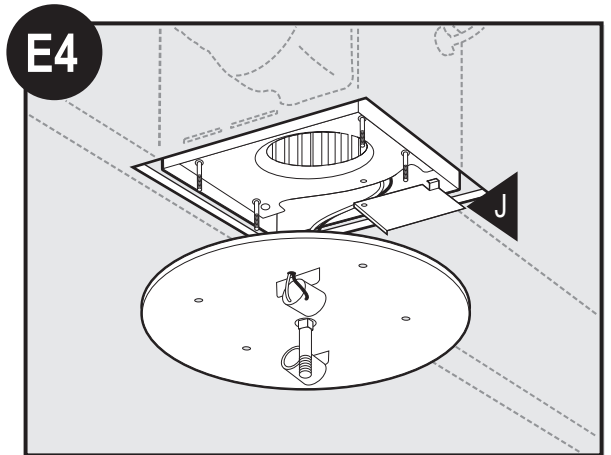
Remove the thumbscrews.



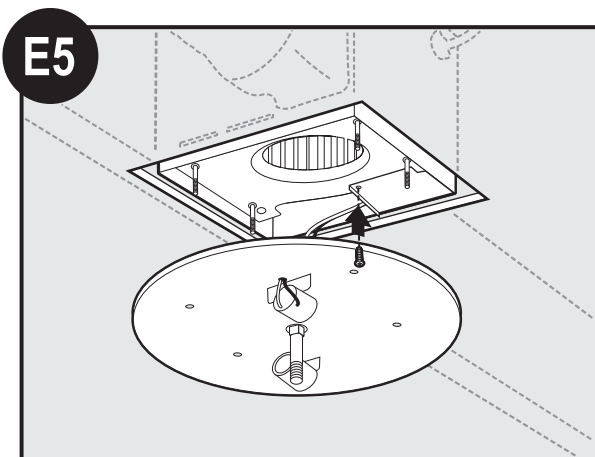
Connect wiring harness.



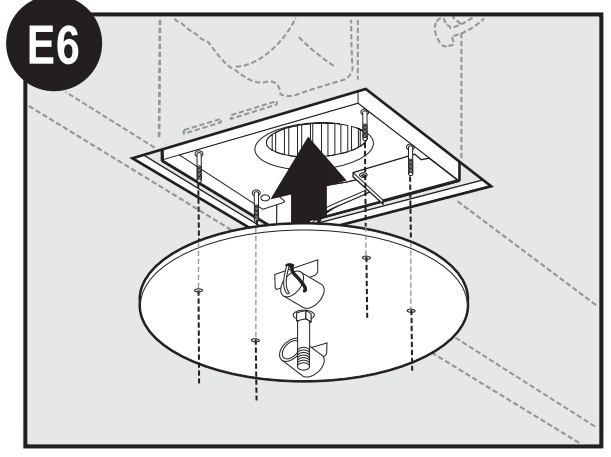
Remove the strain relief bracket screw.



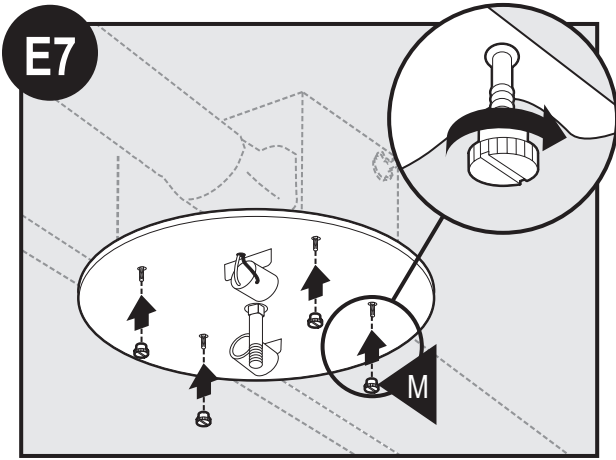
Position the strain relief bracket under the motor as shown.



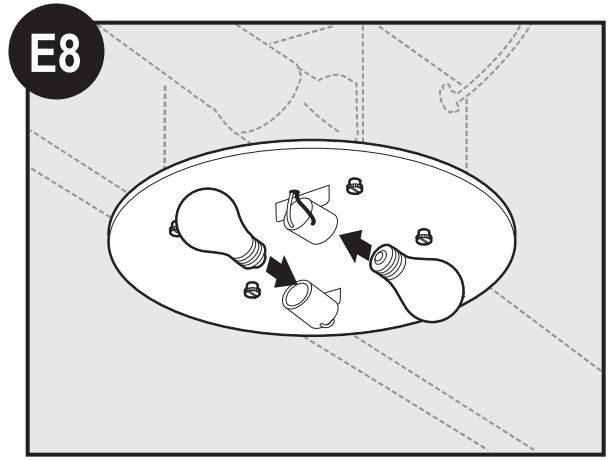
Insert the strain relief bracket's dog-leg tab so that it hooks over the lip of the motor. Reinstall the strain relief bracket screw.



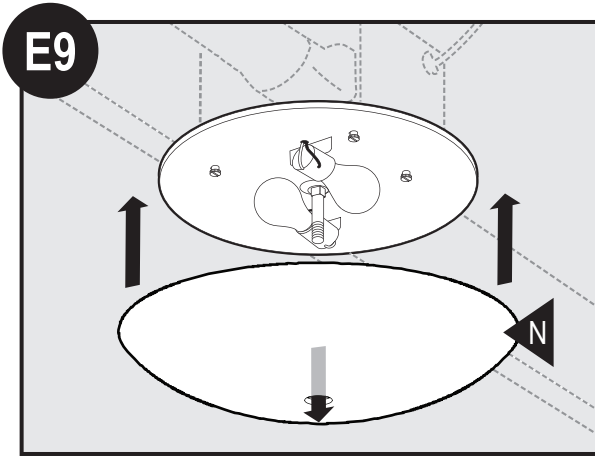
Align posts A, B, C and D (stamped into motor housing) with posts A, B, C and D (stamped into light fixture). Slide light fixture over posts.



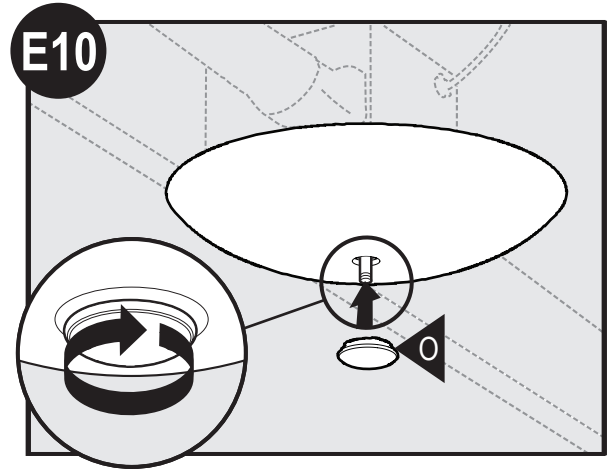
Attach thumbscrews.
WARNING: To reduce the risk of electrical shock,
 all 4 thumbscrews **MUST** be properly installed.



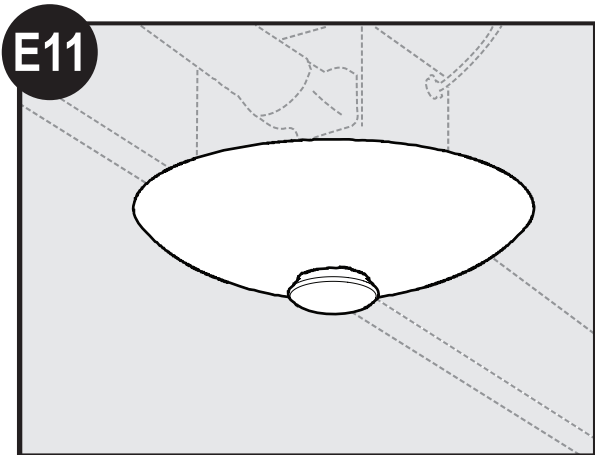
Install 2 Max 60 Watt A15 bulbs (Not Included).



Align glass dome and push up



Screw Finial into position



Complete.

Trouble Shooting

Problem: Fan does not come on.

Solution:

- Hunter Fan Bath Ventilators are extremely quiet. To confirm that the fan is running, place your hand near the vents to feel the air movement.
- Turn power on, replace fuse, or reset breaker.
- Check all plug connections to be sure they are secure.
- Check the wiring to make sure it matches the wiring diagram.

Problem: Light does not come on.

Solution:

- Replace the light bulb with a new bulb.
- Turn power on, replace fuse, or reset breaker.
- Check all plug connections to be sure they are secure.
- Check the wiring to make sure it matches the wiring diagram.

Problem: Fan is noisy.

Solution:

- Check and tighten all fasteners.
- Check the glass to make sure it is secure.
- Check the flapper to make sure it moves freely.

If you need parts or service assistance, please call 888-830-1326 or visit us at our web site at <http://www.hunterfan.com>.

Warranty

Hunter Fan Company
Bath Exhaust Fan
LIMITED WARRANTY

Hunter Fan Company makes the following limited warranty to the original user or consumer purchaser of this Hunter bath exhaust fan:

If any part of your Hunter bath exhaust fan (except for glass fixtures and light bulbs) fails at any time within one year after the date of sale to you due to a defect in material or workmanship, we will repair or, at our option, replace the defective part free of charge for parts and labor performed at our nearest service center or at our Service Department in Memphis, Tennessee. After this one-year period, you will be responsible for all parts and labor costs for repairs on the bath exhaust fan except for motor repairs as provided below.

If your Hunter bath exhaust fan motor fails at any time within five years after the date of sale to you due to a defect in material or workmanship, labor and materials to repair the defect will be provided free of charge at our nearest service center or our Service Department in Memphis, Tennessee. If no replacement part can be provided, we will, at our option, either refund the actual purchase price of your bath exhaust fan or provide a replacement free of charge. After this five-year period, you will be responsible for all parts and labor costs for repairs on all parts of the bath exhaust fan.

IF THE ORIGINAL USER OR CONSUMER PURCHASER CEASES TO OWN THE FAN, THIS WARRANTY AND ANY IMPLIED WARRANTY WHICH THEN REMAINS IN EFFECT, INCLUDING BUT NOT LIMITED TO ANY IMPLIED WARRANTY OF MERCHANTABILITY OR FITNESS FOR A PARTICULAR PURPOSE, ARE VOIDED. NO WARRANTY, EXPRESS OR IMPLIED, INCLUDING ANY WARRANTY OF MERCHANTABILITY OR FITNESS FOR A PARTICULAR PURPOSE, IS MADE IN RESPECT OF GLASS FIXTURES OR LIGHT BULBS OR THE FINISH ON ANY METAL PORTION OF THE BATH EXHAUST FAN.

THIS WARRANTY IS IN LIEU OF ALL OTHER EXPRESS WARRANTIES. THE DURATION OF ANY IMPLIED WARRANTY, INCLUDING, BUT NOT LIMITED TO, ANY IMPLIED WARRANTY OF MERCHANTABILITY OR FITNESS FOR A PARTICULAR PURPOSE, IN RESPECT TO ANY HUNTER FAN BATH EXHAUST FAN MOTOR OR OTHER FAN PART, IS EXPRESSLY LIMITED TO THE PERIOD OF THE EXPRESS WARRANTY SET FORTH ABOVE FOR SUCH MOTORS OR OTHER PARTS.

This warranty is voided if your Hunter bath exhaust fan is not purchased and installed in the U.S.A. This warranty excludes and does not cover defects, malfunctions or failures of any Hunter bath exhaust fan which were caused by repairs by persons not authorized by us, use of parts or accessories not authorized by us, mishandling, improper installation, modifications or damage to the Hunter bath exhaust fan while in your possession, or unreasonable use, including failure to provide reasonable and necessary maintenance.

To obtain servicing, contact the nearest Hunter authorized service center of the Hunter Fan Company Service Department, 2500 Frisco Avenue, Memphis, Tennessee 38114. Please contact us before shipping your bath exhaust fan to us. If we authorize you to ship it to us, you will be responsible for all insurance and freight or other transportation charges to our factory or service center. We will return your Hunter bath exhaust fan freight prepaid. Your Hunter bath exhaust fan should be properly packed to avoid damage in transit since we will not be responsible for any such damage. Proof of purchase is required when requesting warranty service. The purchaser must present the sales receipt or other document that establishes proof of purchase.

IN NO EVENT SHALL HUNTER FAN COMPANY BE LIABLE FOR CONSEQUENTIAL OR INCIDENTAL DAMAGES.

SOME STATES DO NOT ALLOW LIMITATIONS ON HOW LONG AN IMPLIED WARRANTY LASTS OR THE EXCLUSION OR LIMITATION OF INCIDENTAL OR CONSEQUENTIAL DAMAGES SO THE ABOVE LIMITATION OR EXCLUSIONS MAY NOT APPLY TO YOU.

THE WARRANTY GIVES YOU SPECIFIC LEGAL RIGHTS AND YOU MAY ALSO HAVE OTHER RIGHTS WHICH VARY FROM STATE TO STATE.

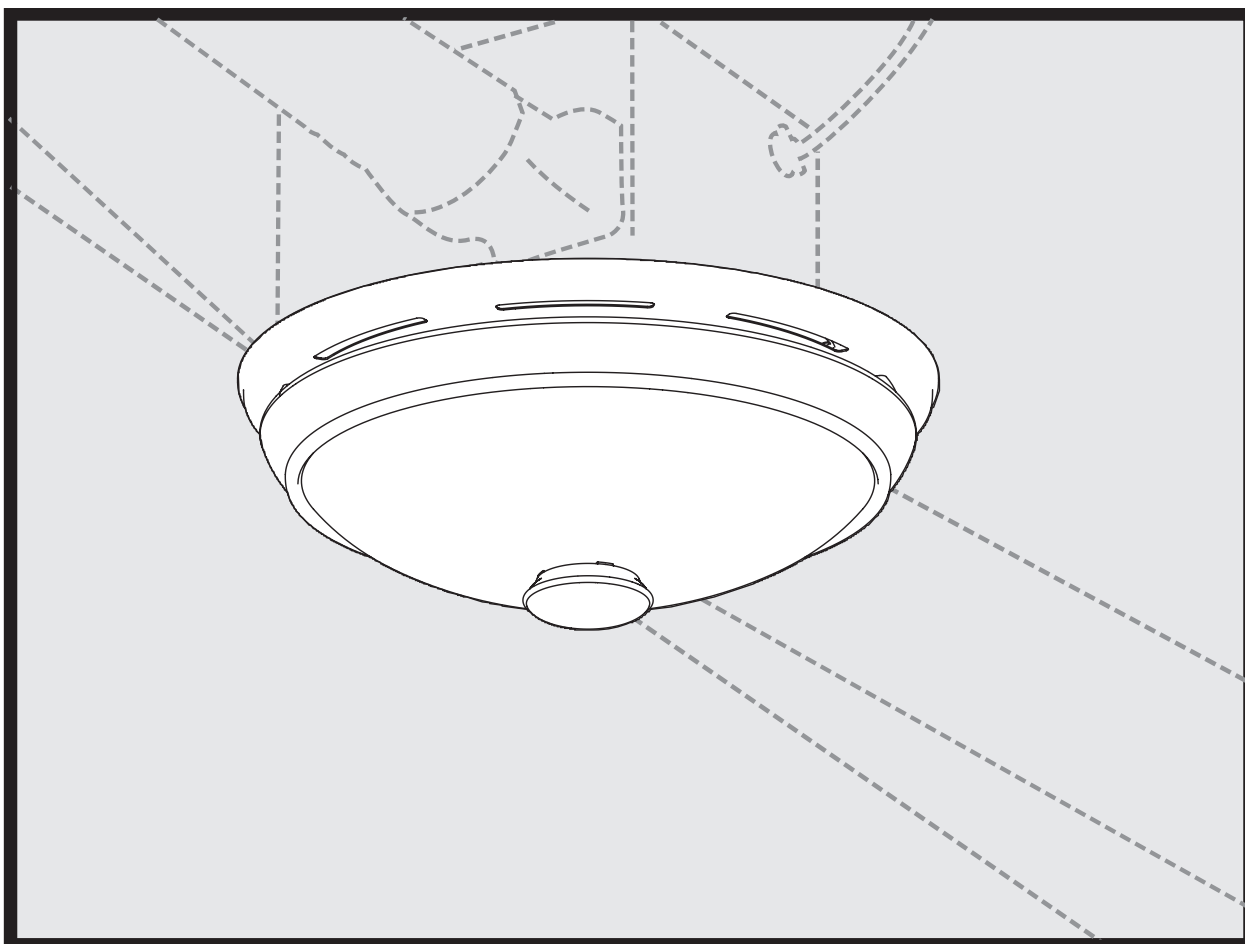




SINCE

1886

G u í a d e i n s t a l a c i ó n



Modelo 81021 Victorian Ventilador para baño con luz
LEA y CONSERVE ESTAS INSTRUCCIONES

ESPAÑOL

⚠ A D V E R T E N C I A

PARA REDUCIR EL RIESGO DE INCENDIO, CHOQUE ELÉCTRICO O LESIONES A PERSONAS, OBSERVE LO SIGUIENTE:

1. Utilice esta unidad sólo de la manera indicada por el fabricante. Si tiene alguna pregunta, contacte con el fabricante.
2. Antes de dar servicio o limpiar la unidad, desconecte la alimentación en el tablero de servicio y bloquee los elementos de desconexión a fin de evitar que la alimentación pueda ser conectada accidentalmente. Cuando los elementos de desconexión no pueden ser bloqueados, asegure firmemente una forma destacada de advertencia, como una etiqueta, en el tablero de servicio.
3. Los trabajos de instalación y cableado eléctrico deben ser realizados por personas calificadas de acuerdo con todos los códigos y las normas aplicables, incluyendo el de diseño contra incendio.
4. Se necesita aire suficiente para una combustión adecuada y para evacuar los gases por el tubo de la chimenea de equipo que quema combustible a fin de evitar el flujo inverso. Siga las pautas del fabricante del equipo de calefacción y las normas de seguridad, como las de la Asociación Nacional de Protección contra Incendios (NFPA), la Asociación de Ingenieros Americanos en Calefacción y Aire acondicionado (ASHRAE), y los códigos locales.
5. "Al cortar o taladrar en paredes o techo, no dañe el cableado eléctrico u otros servicios no visibles."
6. Los ventiladores canalizados siempre deben descargar al aire libre.
7. Si va a instalar esta unidad en una bañera o ducha, debe tener una marca que indique que es apropiado para ese uso y debe conectarse a un circuito derivado protegido por un GFCI (interruptor automático de falla a tierra).
8. Nunca coloque un interruptor donde pueda ser alcanzado desde una tina o una ducha.
9. Instale el ventilador por lo menos a 5 pies (1.52 m) por encima del piso.
10. Esta unidad se debe poner a tierra.
11. La unidad no debe ser instalada en un techo con aislamiento térmico mayor que R40.



PRECAUCIÓN

1. Sólo para uso de ventilación general. No use para liberar materiales y vapores peligrosos o explosivos.
2. Para evitar daños a los rodamientos del motor/soplador e impulsores ruidosos o desbalanceados, mantenga la unidad de potencia lejos de la aplicación de aerosol para paneles de yeso (drywall), polvo de la construcción, etc.
3. NO instale este producto en una pared. Este producto está diseñado para instalarse en techos con una inclinación de hasta 12/12 (45°). La red de ductos debe dirigirse hacia arriba.
4. Vea más información y los requisitos en la etiqueta de especificación del producto.



ADVERTENCIA

**DESCONECTE
LA ALIMENTACIÓN ELÉCTRICA Y
CIERRE EL PANEL DE SERVICIO
ANTES DE DAR MANTENIMIENTO
A LA UNIDAD**

MANTENIMIENTO PREVENTIVO

UN VENTILADOR LIMPIO PROPORCIONA MEJOR SERVICIO. DESCONECTE LA ALIMENTACIÓN Y LIMPIE EL VENTILADOR COMO SE INDICA A CONTINUACIÓN.

PARA LIMPIAR LA REJILLA: USE UN DETERGENTE SUAVE, COMO LÍQUIDO PARA LAVADO DE PLATOS, Y UN PAÑO SUAVE. NO EMPLEE PAÑOS ABRASIVOS, ALMOHADILLAS DE LANA DE ACERO NI POLVOS PARA FREGAR.

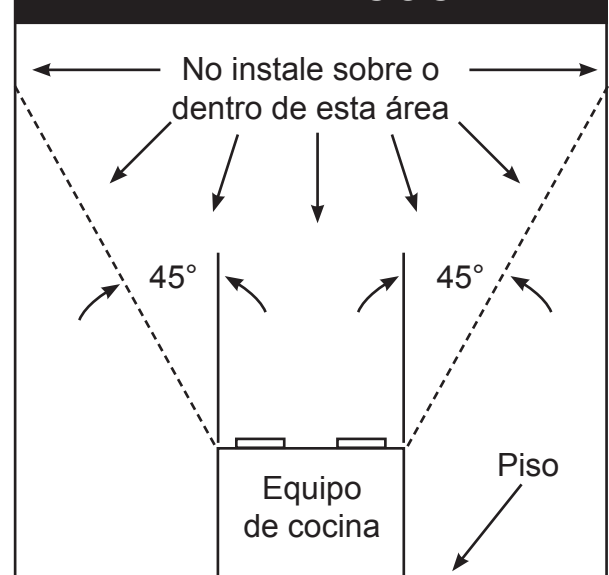
PARA LIMPIAR EL CONJUNTO DEL VENTILADOR: DESCONECTE EL CORDÓN DEL MOTOR/SOPLADOR DE LA TOMA DE CORRIENTE. PARA RETIRAR LA PLACA DEL MOTOR/SOPLADOR, ENCUENTRE LA PESTAÑA EN LA PLACA (UBICADA JUNTO A LA TOMA DE CORRIENTE). LEVANTE LA PESTAÑA POSTERIOR DE LA PLACA DEL MOTOR/SOPLADOR MIENTRAS EMPUJA HACIA AFUERA EN EL LADO DEL ALOJAMIENTO O INTRODUZCA UN DESTORNILLADOR EN LA RANURA DEL ALOJAMIENTO (JUNTO A LA PESTAÑA) Y GIRE EL DESTORNILLADOR. SUAVEMENTE ASPIRE EL VENTILADOR, EL MOTOR/SOPLADOR Y EL INTERIOR DEL ALOJAMIENTO.

LAS PARTES METÁLICAS ELÉCTRICAS NUNCA DEBEN SUMERGIRSE EN AGUA.

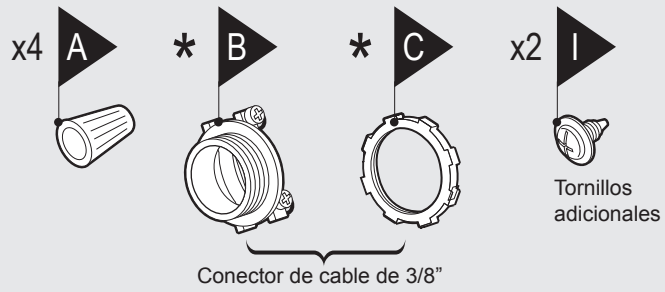
MANTENIMIENTO

EL MOTOR/SOPLADOR ESTÁ LUBRICADO PERMANENTEMENTE Y NO NECESITA SER ENGRASADO. SI LOS RODAMIENTOS DEL MOTOR/SOPLADOR HACEN RUIDOS EXCESIVOS O INUSUALES, REEMPLACE EL MOTOR/SOPLADOR CON EL MOTOR/SOPLADOR DE SERVICIO EXACTO. DEBE REEMPLAZAR EL IMPULSOR AL MISMO TIEMPO.

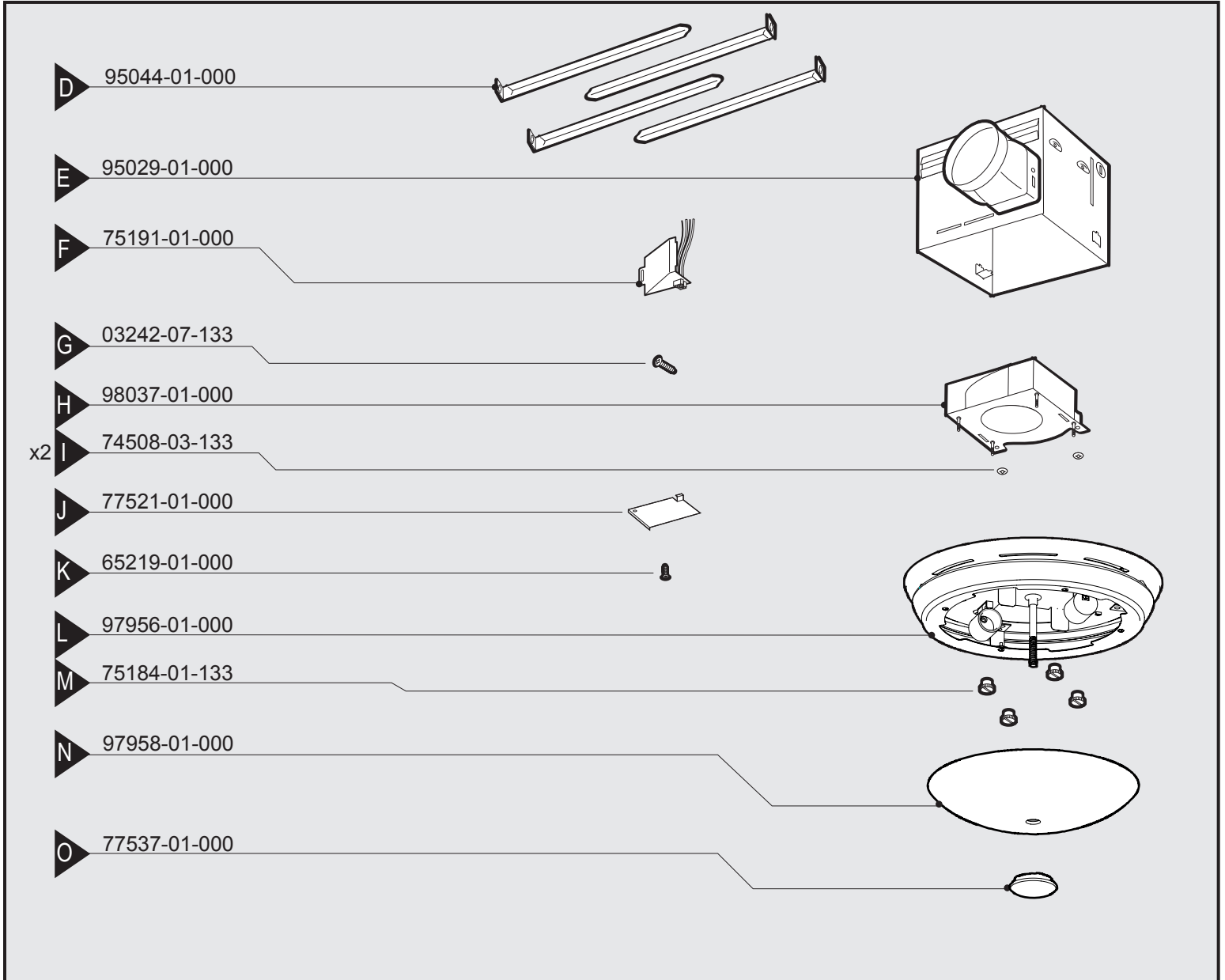
ÁREA DE LA COCINA



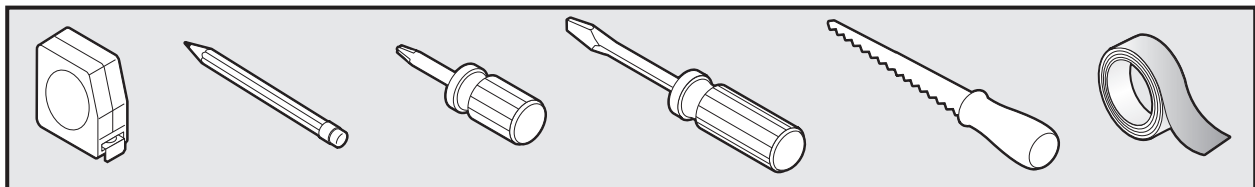
Verifique todos los componentes. Si están dañados, llame al 1-866-405-3814 para obtener un reemplazo.



* NOTA: Debe estar instalado el manguito de alivio de tensión del cable. No incluido.



incluido.

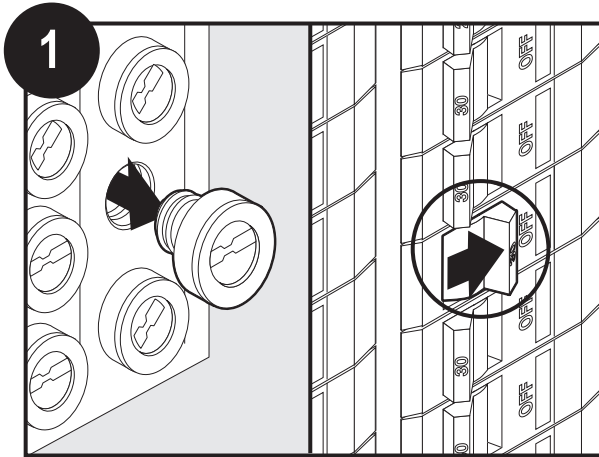


Herramientas necesarias (no suministradas)

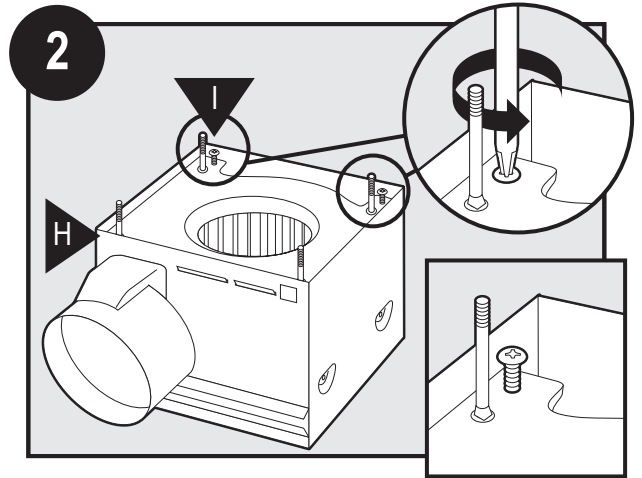
Tiempo estimado de ensamblaje: entre 30 y 60 minutos

Antes de la instalación

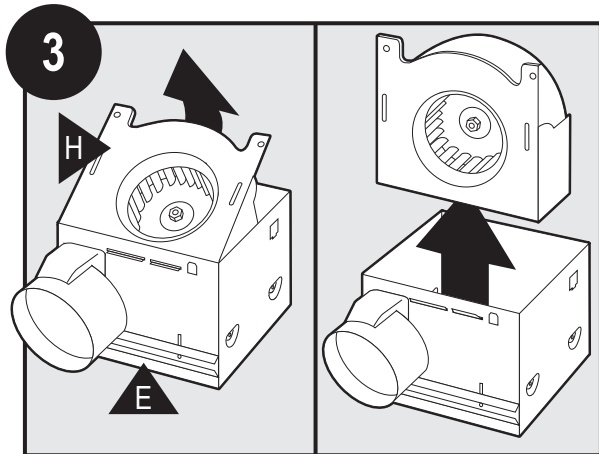
NOTA: Retire todo el material de embalaje antes de la instalación.



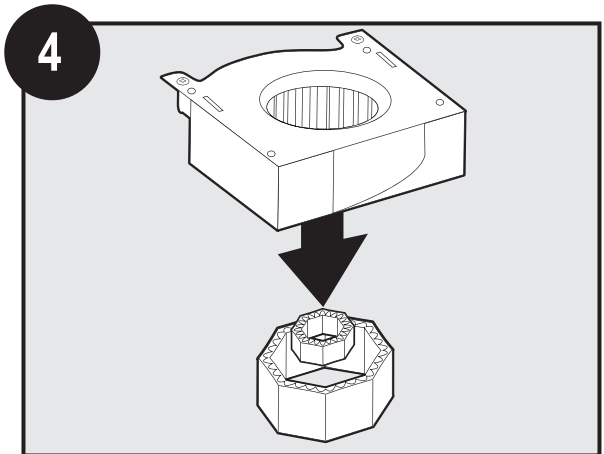
1 Apague la fuente de alimentación.



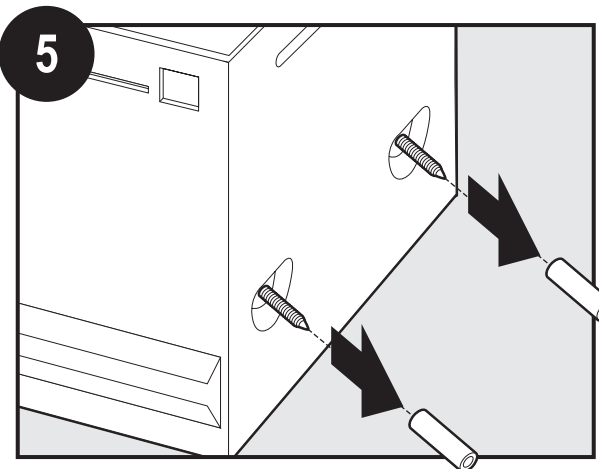
2 Afloje los tornillos.



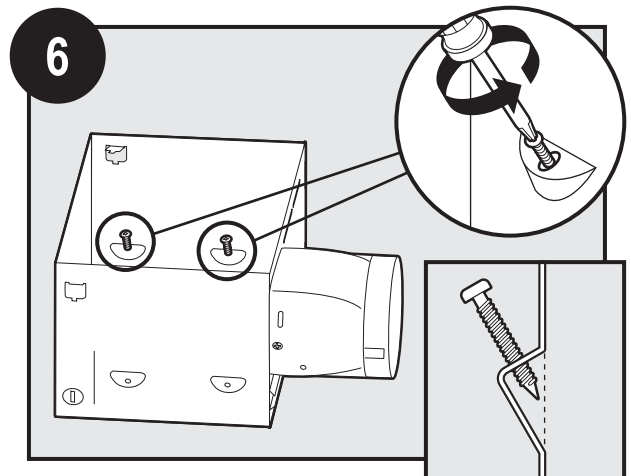
3 Retire el motor/soplador/soplador del alojamiento.



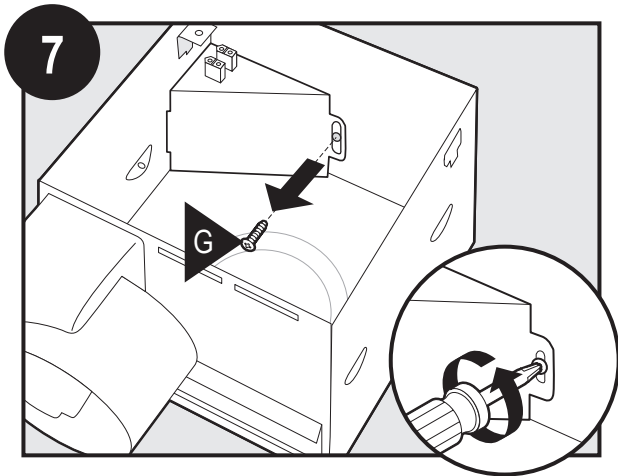
4 Retire el material de embalaje.



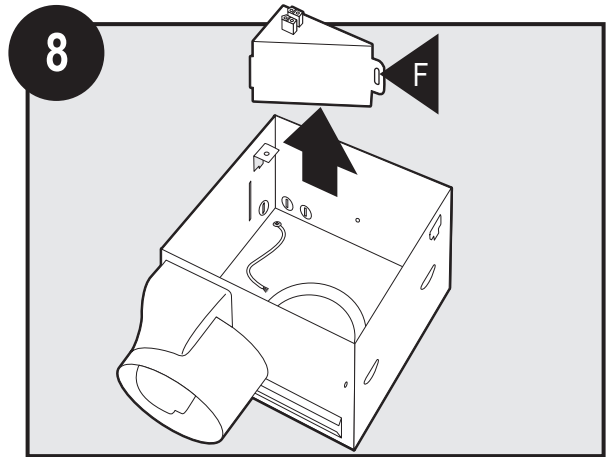
5 Retire las cubiertas de las puntas de tornillo precargadas.



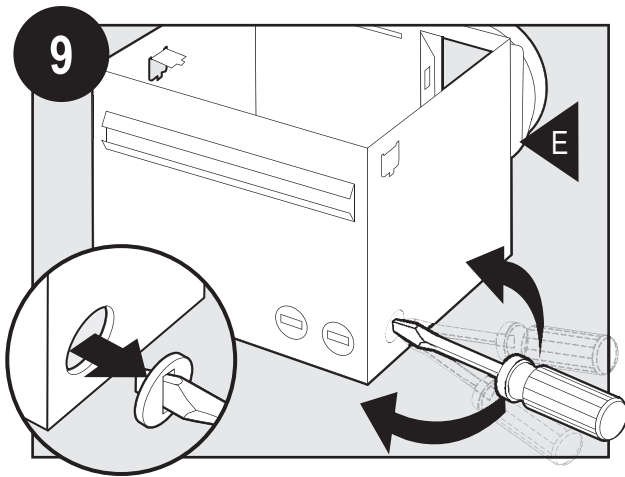
6 Retire las puntas de tornillo precargadas hasta que estén a nivel con el lado del alojamiento.



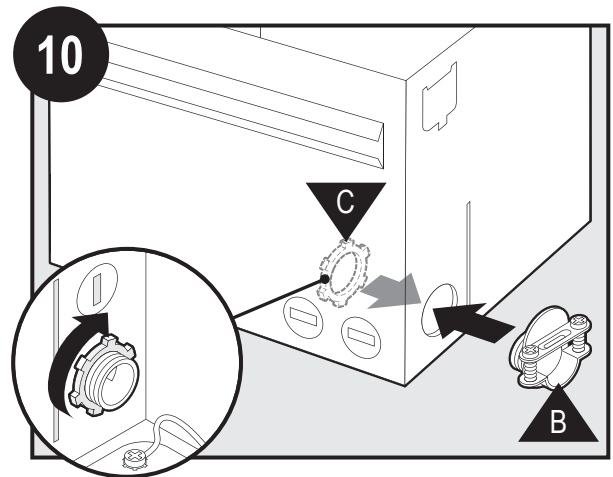
Retire el tornillo de la cubierta del cableado.



Retire la cubierta del cableado.



Retire el primer tapón metálico de acceso del cableado. Utilice el segundo si es necesario.

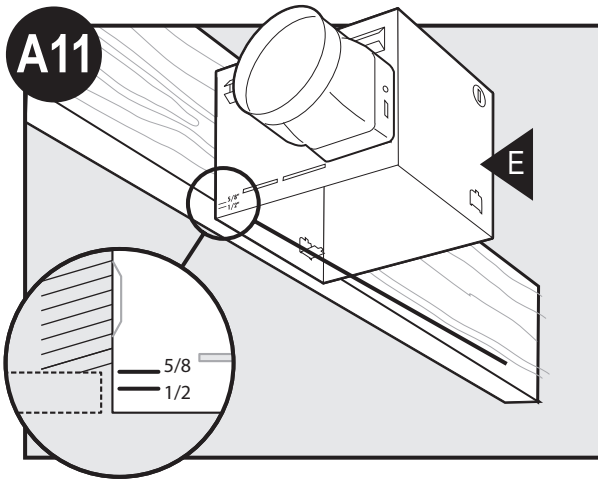


Inserte el manguito de alivio de tensión (no se incluye) en la caja y sujételo firmemente con una arandela.

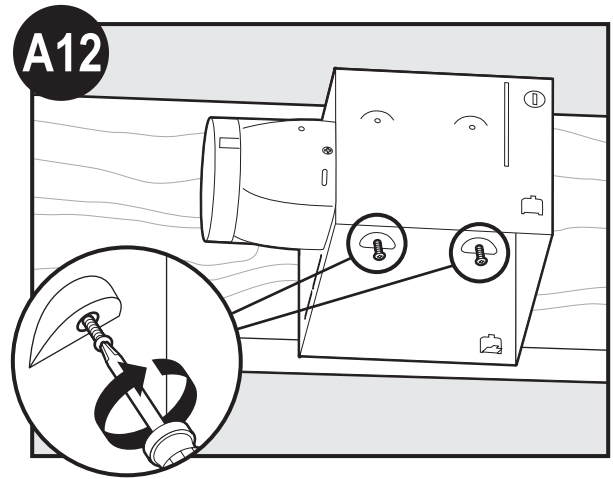
Escoja la opción de instalación

- Para construcción nueva - fijación a la viga, vaya al paso A11, página 28
- Para construcción nueva - suspendido entre vigas, vaya al paso B11, página 30
- Para construcción existente - accesible desde arriba, vaya al paso C11, página 33
- Para construcción existente - accesible sólo desde abajo, vaya al paso D11, página 37

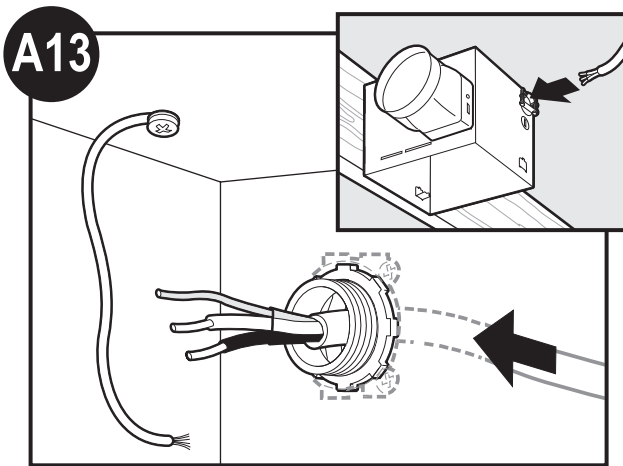
Construcción nueva – fijación a la viga



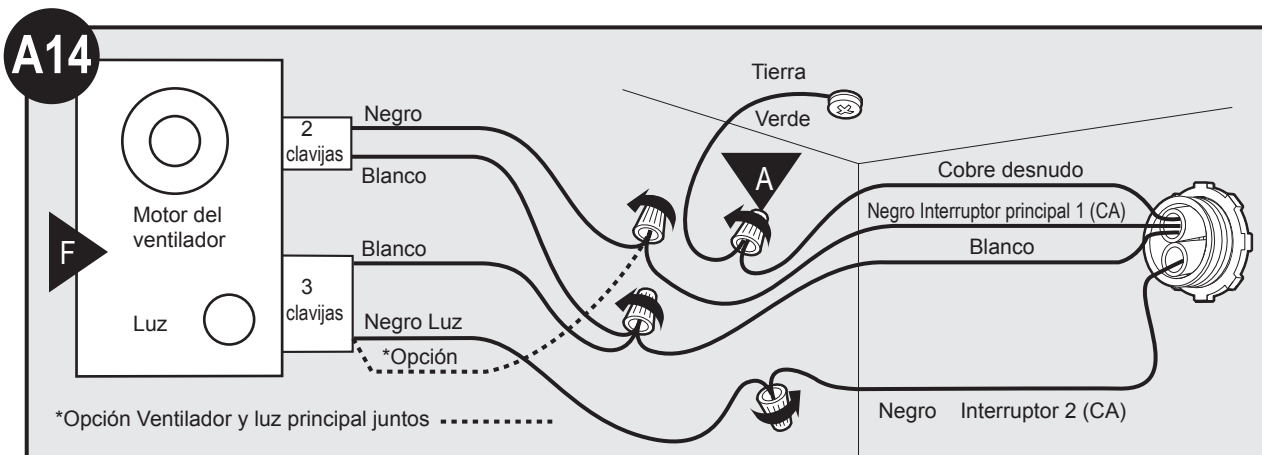
Ubique la correcta marca de profundidad en el borde inferior de la viga, según el espesor de su plancha de yeso.



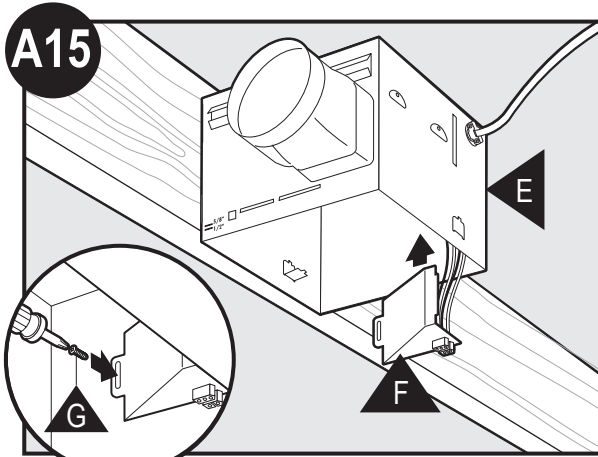
Instale los tornillos precargados en la viga o el marco.



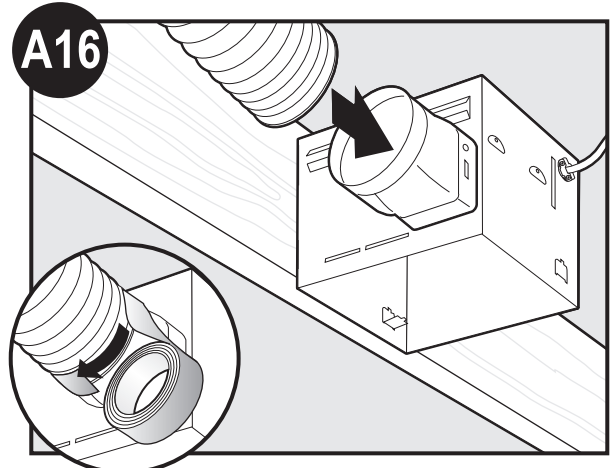
Tienda los cables a través del manguito de alivio de tensión.



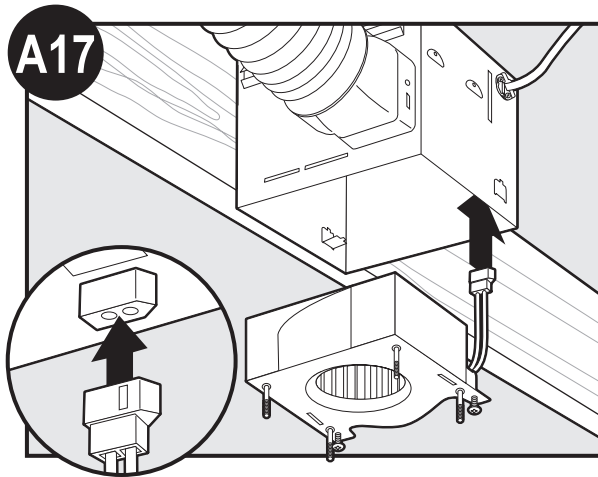
Conecte los alambres como se muestra.



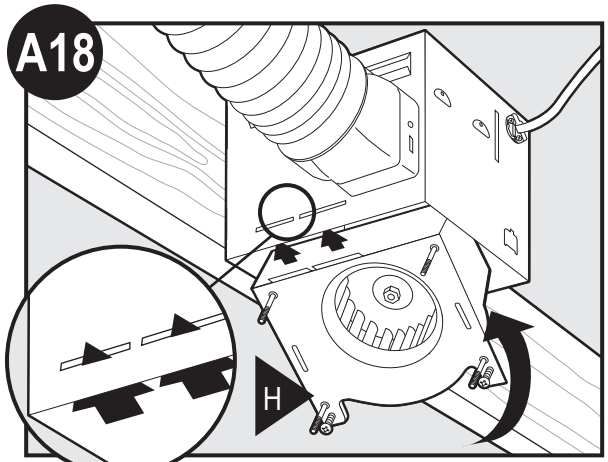
A15
 Instale la placa de cubierta del cableado. Asegúrese que todas las conexiones de cableado estén dentro de la caja o debajo de la placa de cubierta del cableado.



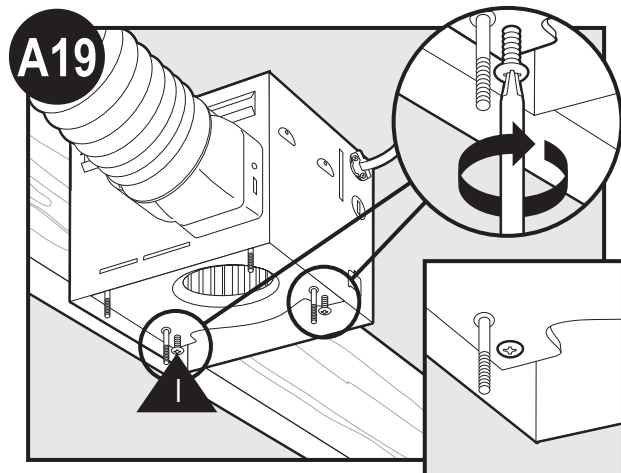
A16
 Conecte un ducto de 4" y ventile hacia el exterior. Aplique cinta a las uniones. Si el ducto no se ajusta firmemente, puede ser necesario comprar un adaptador.



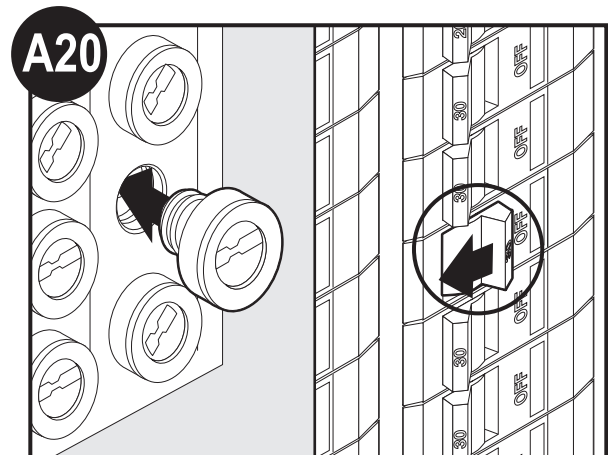
A17
 Conecte el mazo de cables. **NO PERMITA QUE EL MOTOR/ SOPLADOR CUELGUE DEL MAZO DE CABLES.**



A18
 Vuelva a instalar el motor/soplador introduciendo las pestañas y levantando a su posición. Asegúrese que los alambres no se pellizquen entre el motor/soplador y el alojamiento.



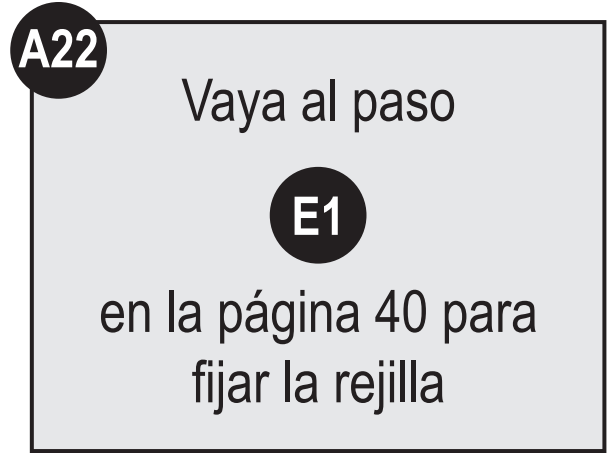
A19
 Asegure el motor/soplador apretando los 2 tornillos.



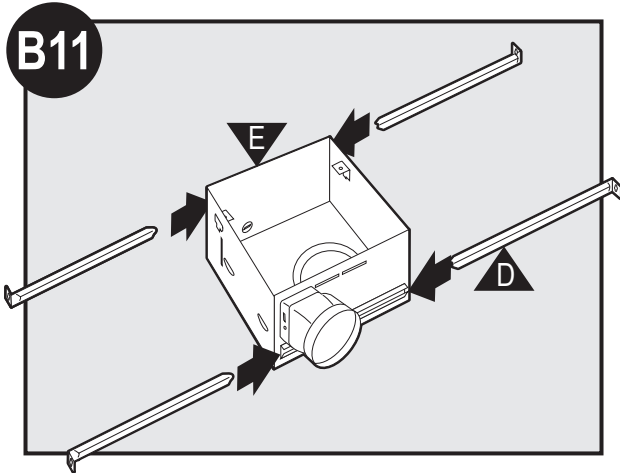
A20
 Encienda la fuente de alimentación.



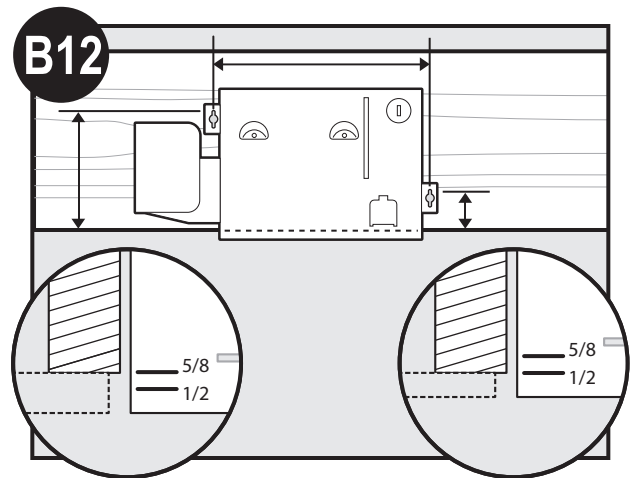
Pruebe el motor/soplador. Si el motor/soplador no funciona, verifique la conexión del enchufe.



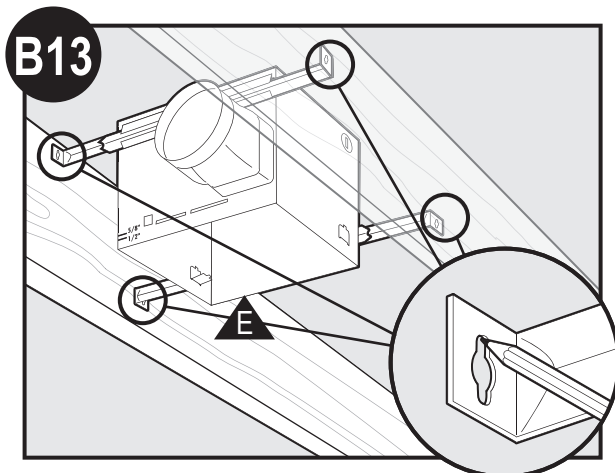
Construcción nueva – suspendido entre vigas



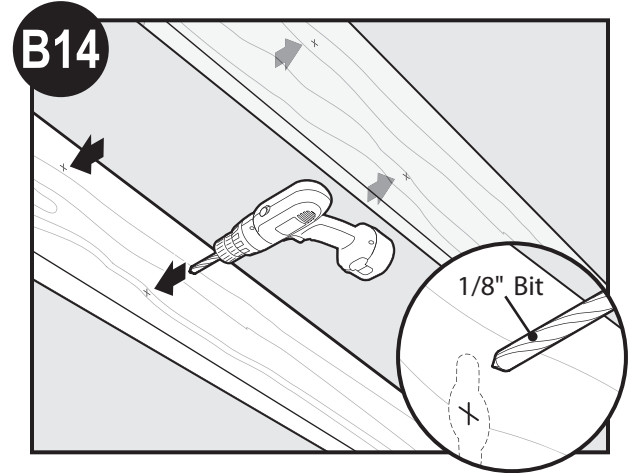
Deslice los rieles de montaje en los soportes.



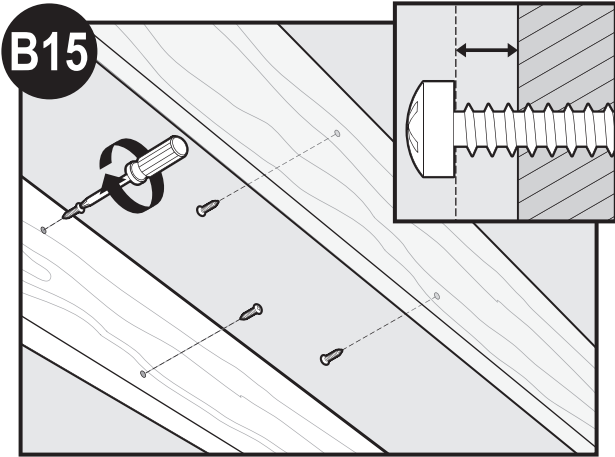
Ubique la correcta marca de profundidad en el borde inferior de la viga, según el espesor de su plancha de yeso.



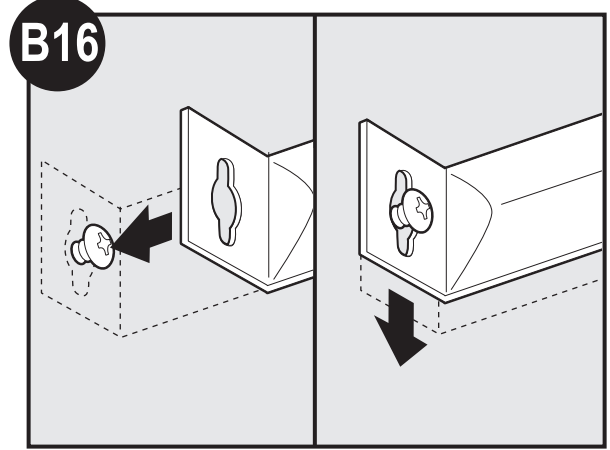
Marque la posición de los tornillos utilizando los agujeros como una plantilla.



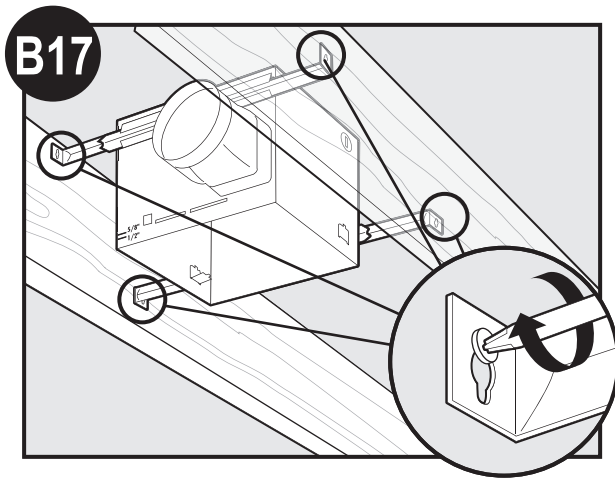
Marque la posición de los tornillos utilizando los agujeros como una plantilla.



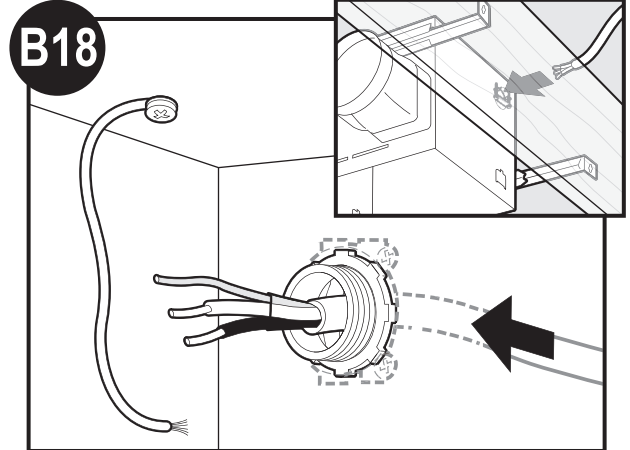
B15 Introduzca los tornillos, dejando espacio entre la cabeza del tornillo y la viga. No se proporcionan los tornillos.



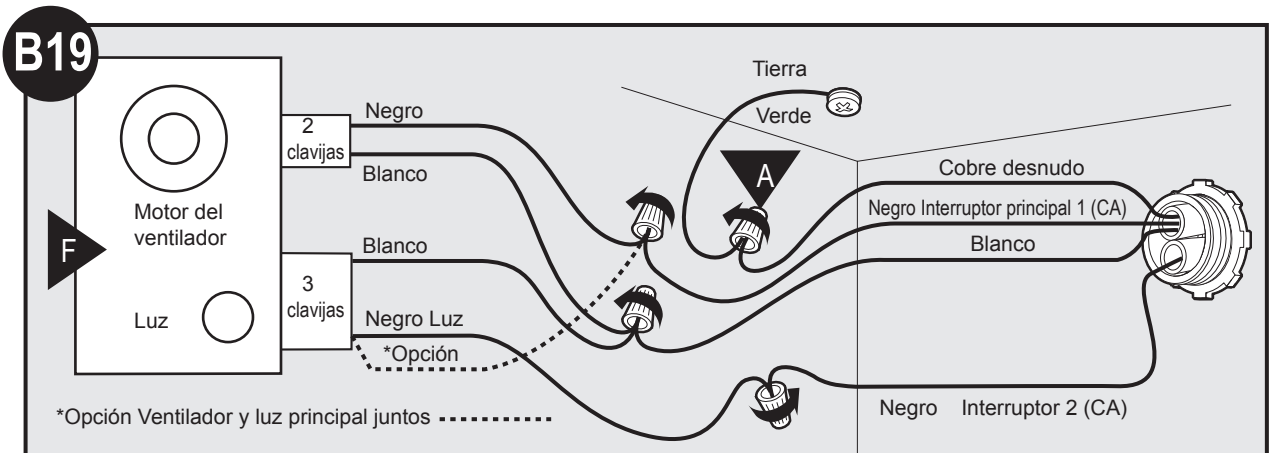
B16 Fije los rieles con los tornillos.



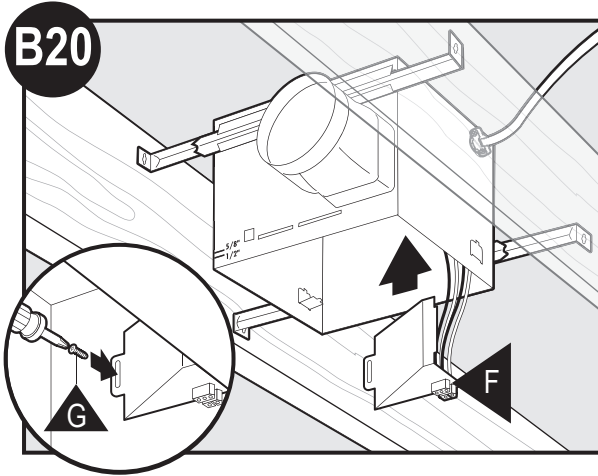
B17 Apriete los tornillos.



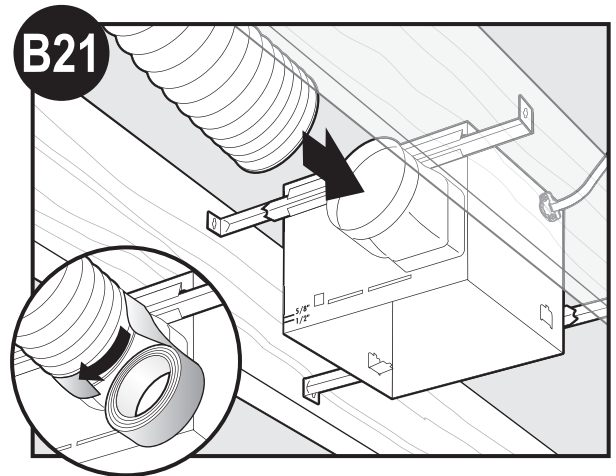
B18 Tienda los cables a través del manguito de alivio de tension.



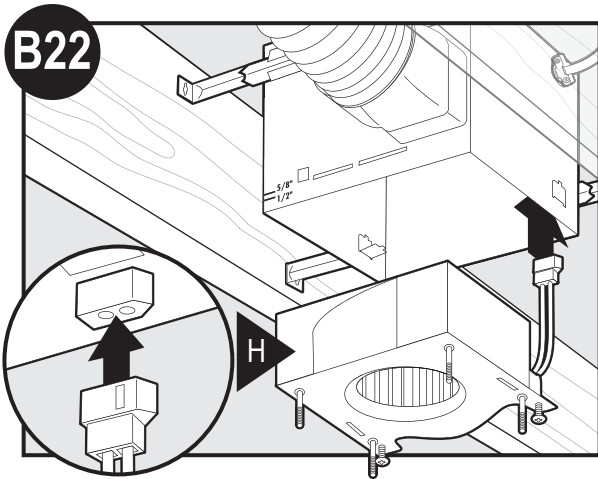
Conecte los alambres como se muestra.



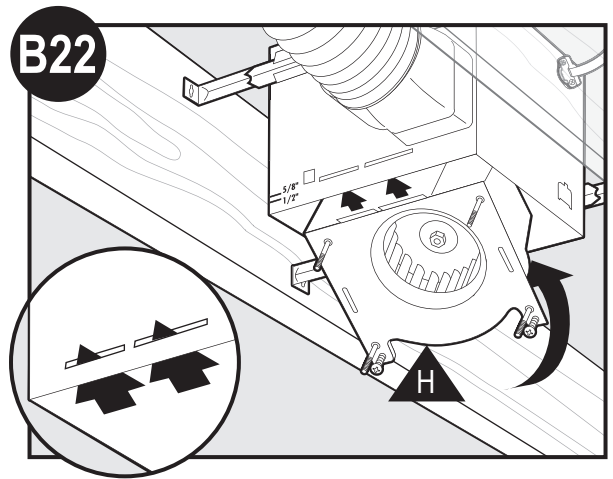
B20
 Instale la placa de cubierta del cableado. Asegúrese que todas las conexiones de cableado estén dentro de la caja o debajo de la placa de cubierta del cableado.



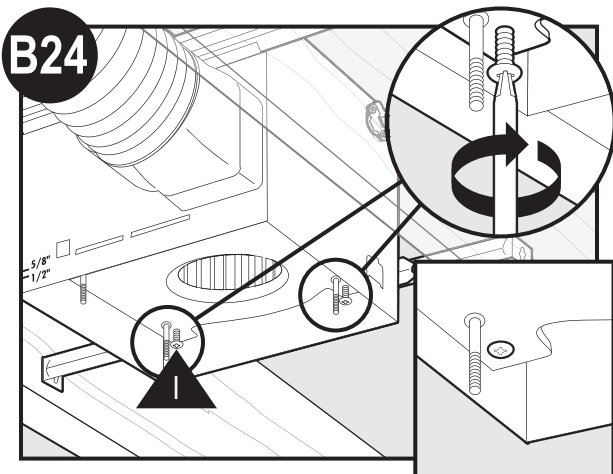
B21
 Conecte un ducto de 4" y ventile hacia el exterior. Aplique cinta a las uniones. Si el ducto no se ajusta firmemente,



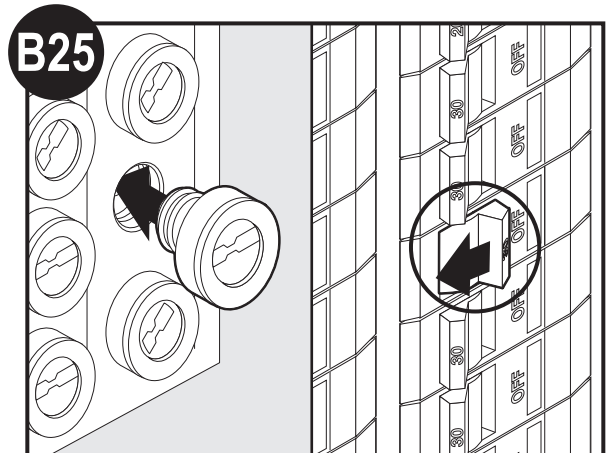
B22
 Conecte el mazo de cables. **NO PERMITA QUE EL MOTOR/ SOPLADOR CUELQUE DEL MAZO DE CABLES.**



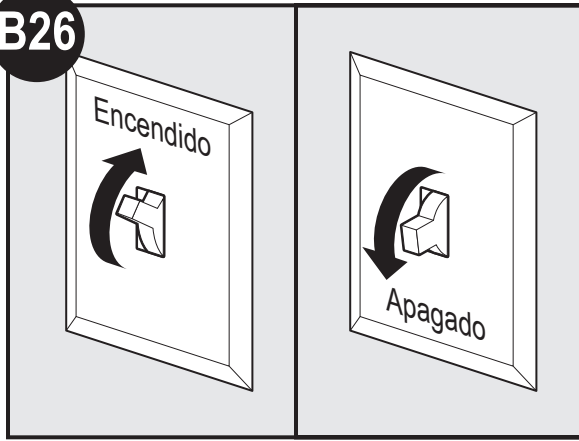
B22
 Vuelva a instalar el motor/soplador introduciendo las pestañas y levantando a su posición. Asegúrese que los alambres no se pellizquen entre el motor/soplador y el alojamiento.



B24
 Asegure el motor/soplador apretando los 2 tornillos.



B25
 Encienda la fuente de alimentación.

B26

Pruebe el motor/soplador. Si el motor/soplador no funciona, verifique la conexión del enchufe.

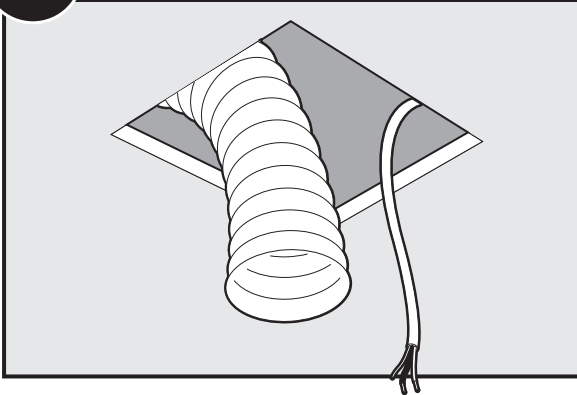
B27

Vaya al paso

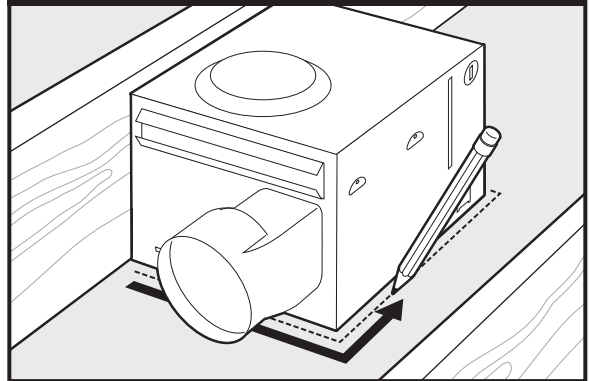
E1

en la página 40 para
fijar la rejilla

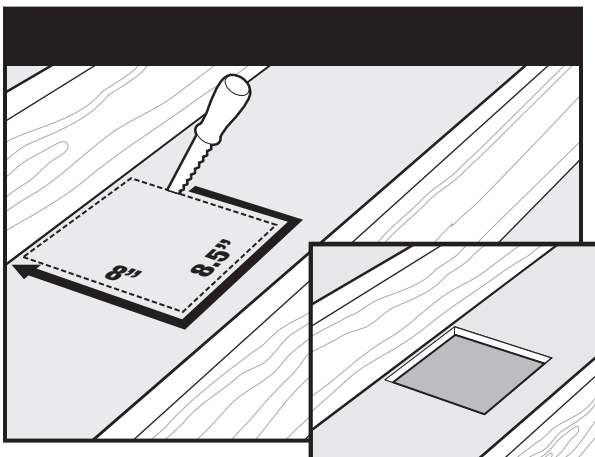
Construcción existente – accesible desde arriba

C11 VENTILADOR EXISTENTE

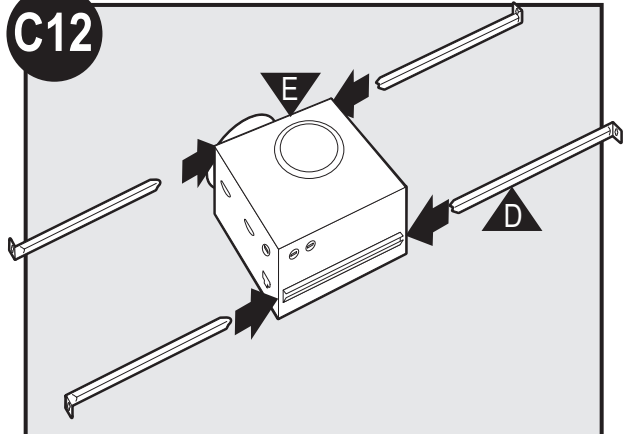
Retire el ventilador existente y asegúrese que la abertura sea suficientemente grande para acomodar el alojamiento del motor/soplador nuevo (8 pulg. x 8 1/2 pulg.).

SIN VENTILADOR EXISTENTE

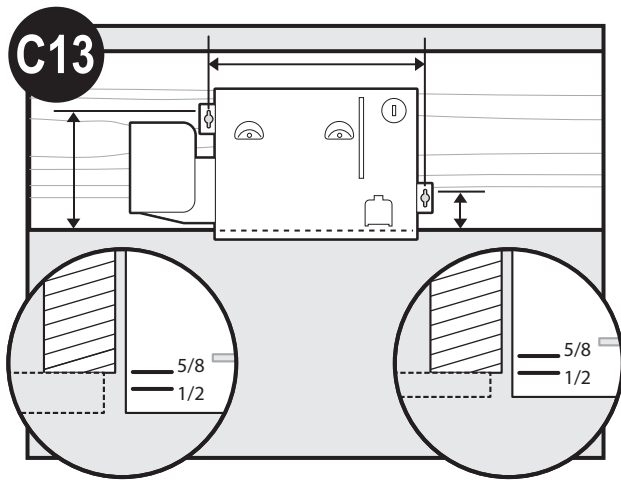
Utilice el alojamiento del motor/soplador como una plantilla para marcar la posición.



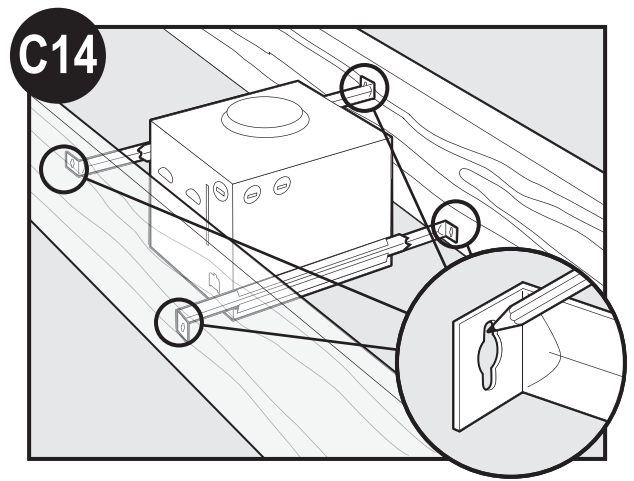
Recorte una abertura para el alojamiento.

C12

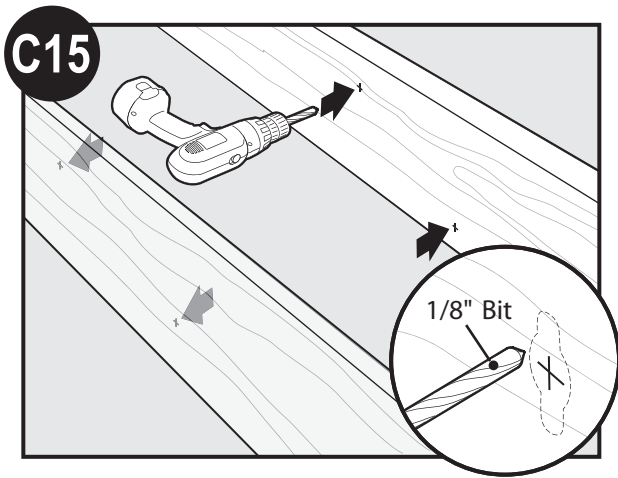
Deslice los rieles de montaje en los soportes.



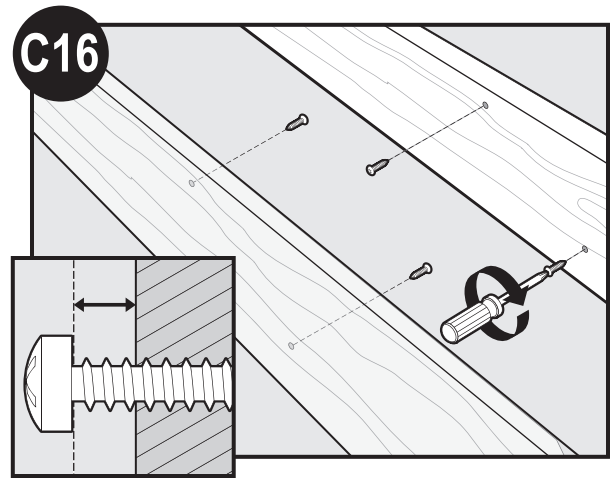
Ubique la correcta marca de profundidad en el borde inferior de la viga, según el espesor de su plancha de yeso.



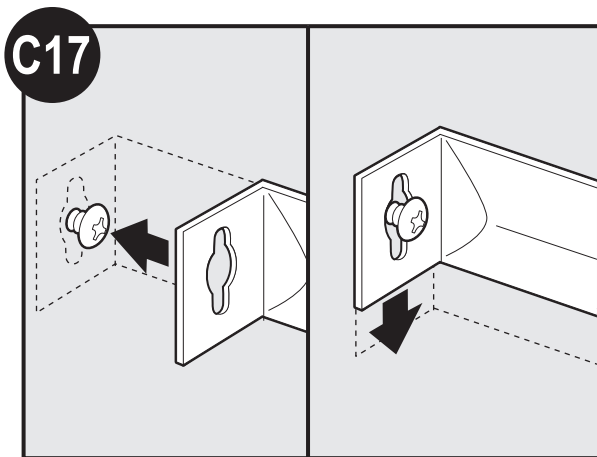
Marque la posición de los tornillos utilizando los agujeros como una plantilla.



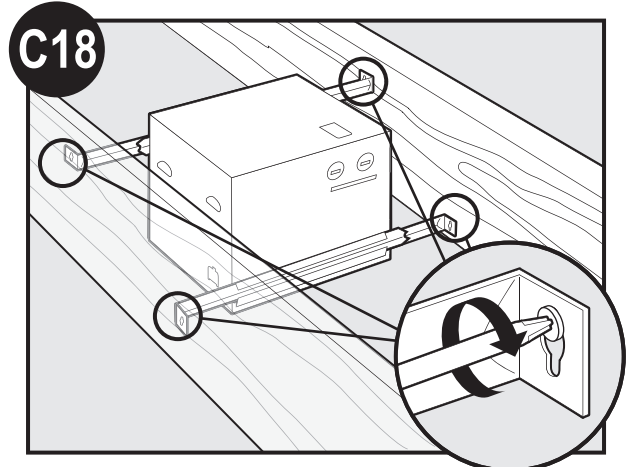
Taladre un agujero en el centro de cada perfil.



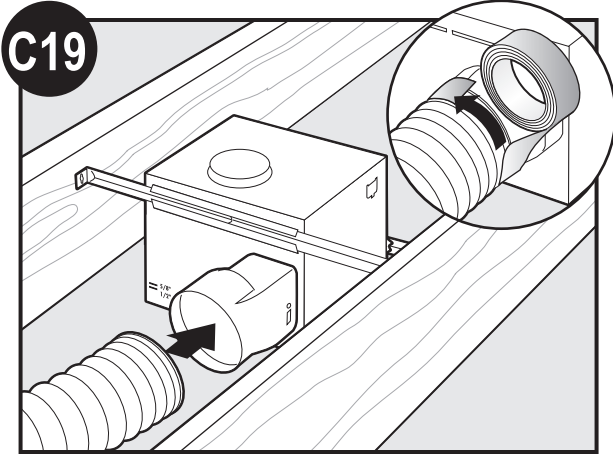
Introduzca los tornillos, dejando espacio entre la cabeza del tornillo y la viga. No se proporcionan los tornillos.



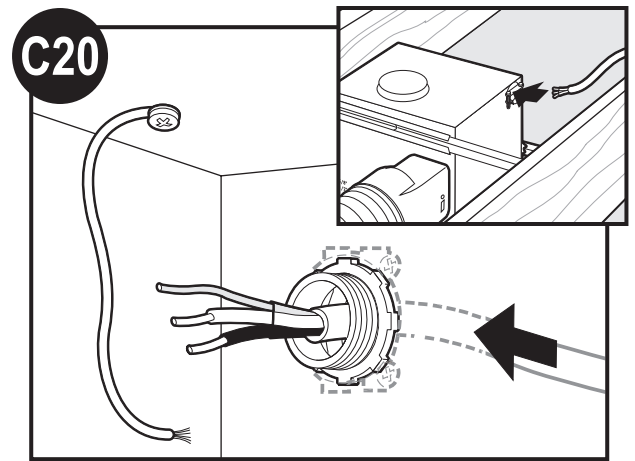
Fije los rieles con los tornillos.



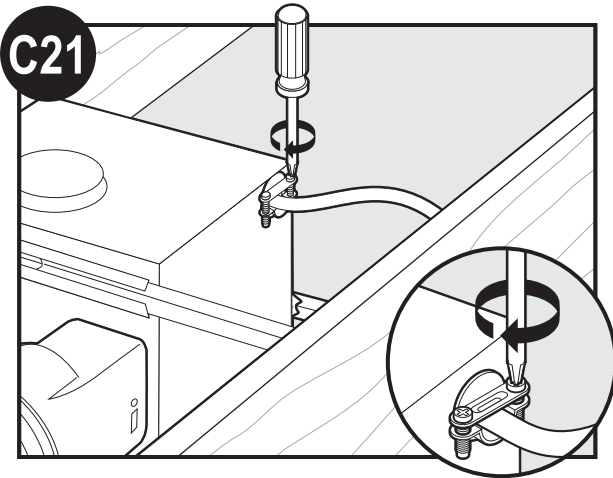
Apriete los tornillos.



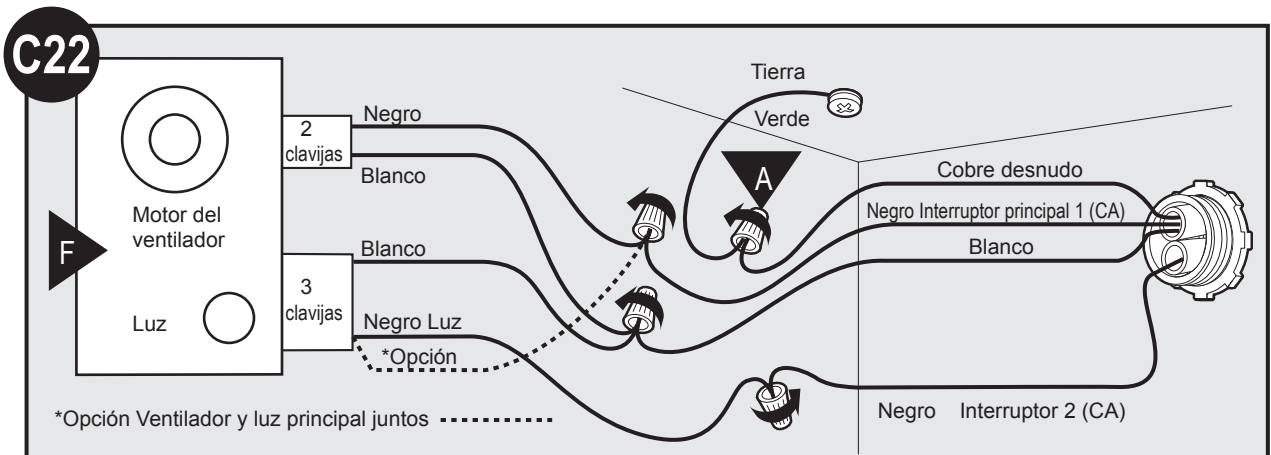
C19
 Conecte un ducto de 4" y ventile hacia el exterior. Aplique cinta a las uniones. Si el ducto no se ajusta firmemente, puede ser necesario comprar un adaptador.



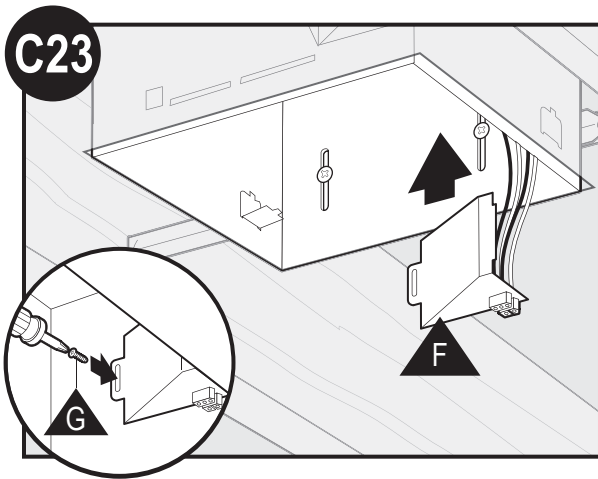
C20
 Tienda los cables a través del manguito de alivio de tensión.



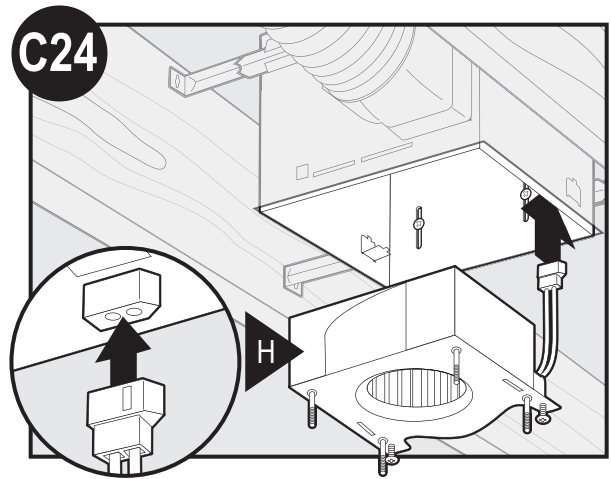
C21
 Apriete los tornillos del aliviador de tensiones.



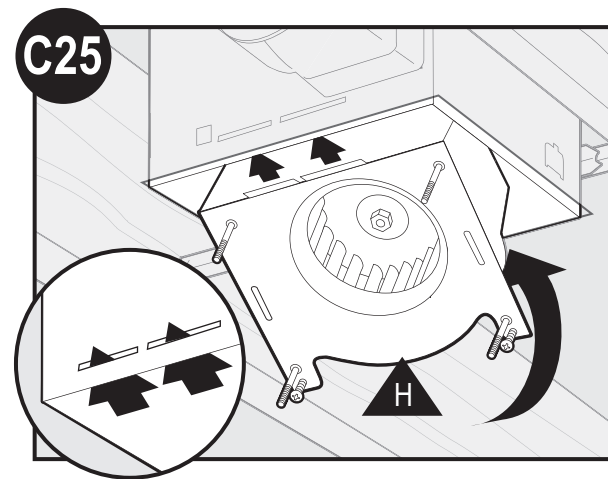
Conecte los alambres como se muestra.



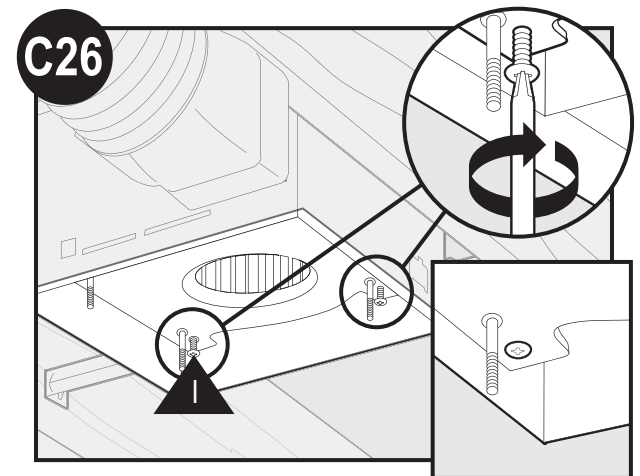
Instale la placa de cubierta del cableado. Asegúrese que todas las conexiones de cableado estén dentro de la caja o debajo de la placa de cubierta del cableado.



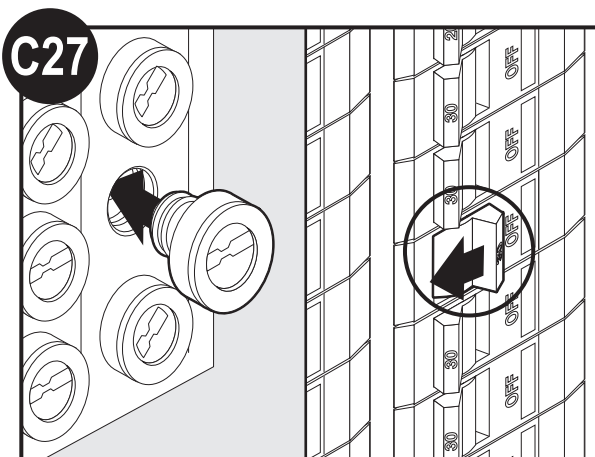
Conecte el mazo de cables. NO PERMITA QUE EL MOTOR/ SOPLADOR CUELGUE DEL MAZO DE CABLES.



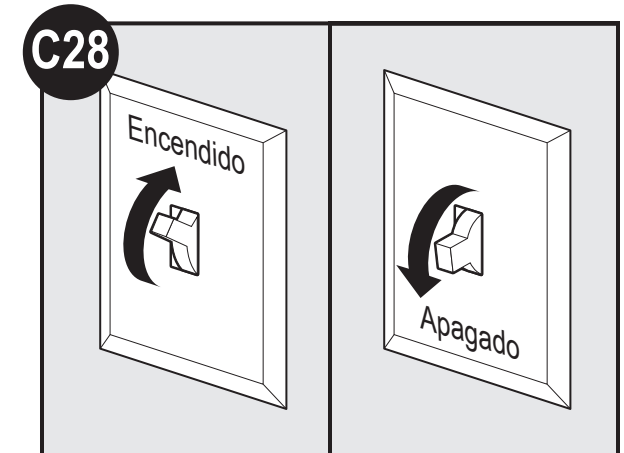
Vuelva a instalar el motor/soplador introduciendo las pestañas y levantando a su posición. Asegúrese que los alambres no se pellizquen entre el motor/soplador y el alojamiento.



Asegure el motor/soplador apretando los 2 tornillos.



Encienda la fuente de alimentación.



Pruebe el motor/soplador. Si el motor/soplador no funciona, verifique la conexión del enchufe.

C29

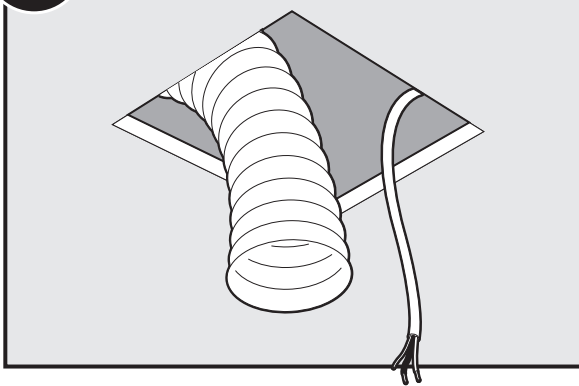
Vaya al paso

E1

en la página 40 para
fijar la rejilla

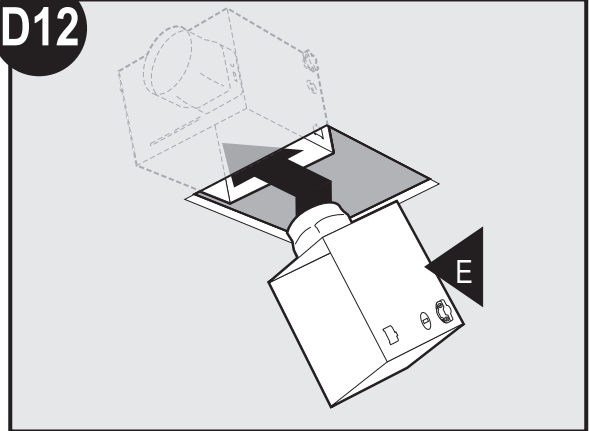
Construcción existente – accesible sólo desde abajo

D11 VENTILADOR EXISTENTE



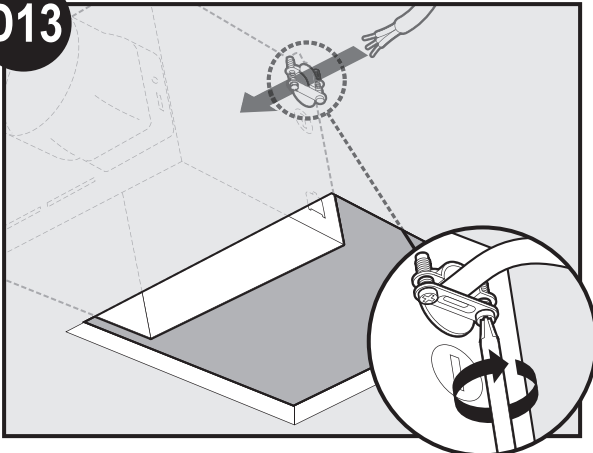
Retire el ventilador existente y asegúrese que la abertura sea suficientemente grande para acomodar el alojamiento del motor/soplador nuevo (8 pulg. x 8 1/2 pulg.).

D12



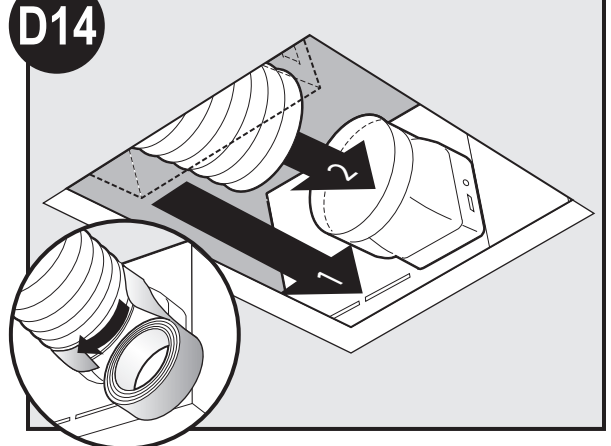
Mueva el alojamiento a su posición encima del techo.

D13

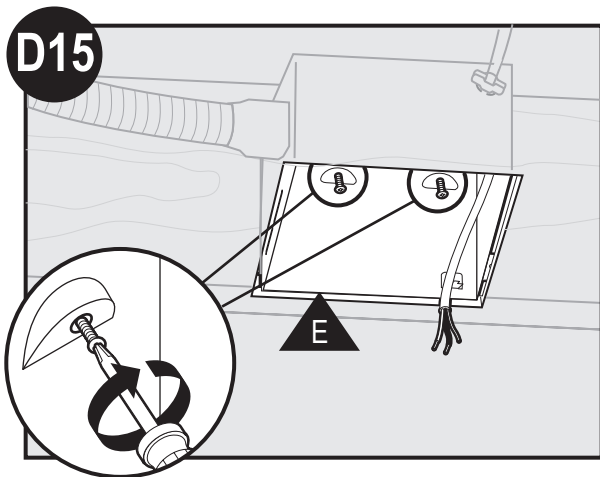


Tienda los cables a través del manguito de alivio de tensión.

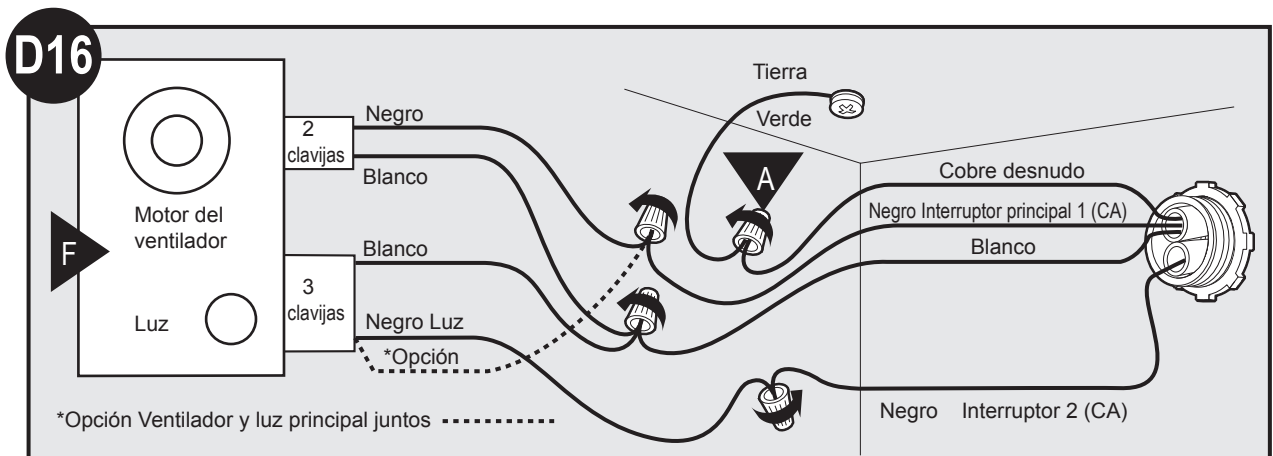
D14



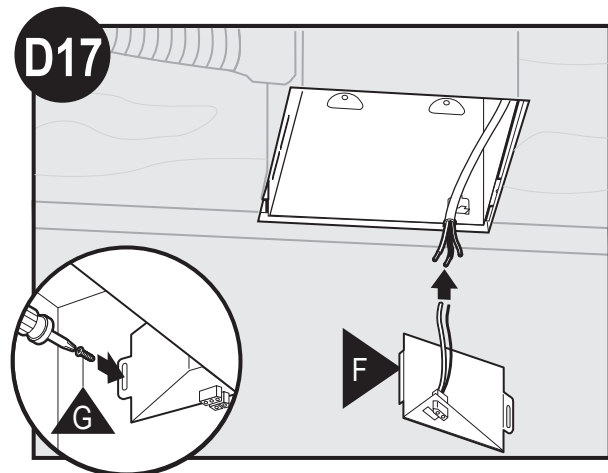
Conecte el ducto existente con el conector de ducto. Aplique cinta a las uniones. Si el ducto no se ajusta firmemente, puede ser necesario comprar un adaptador.



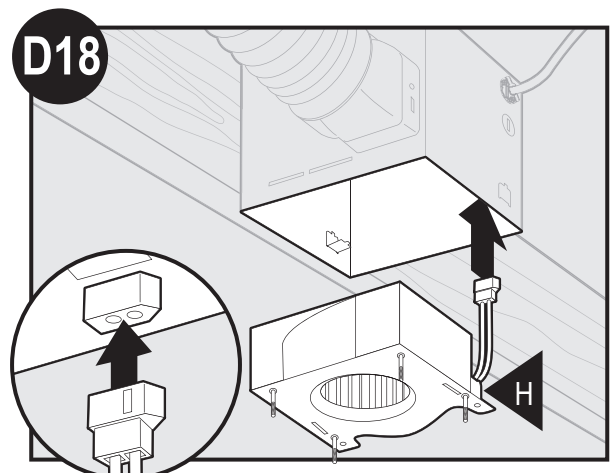
Instale el alojamiento a nivel con la plancha de yeso y asegúrelo apretando los tornillos precargados en la viga.



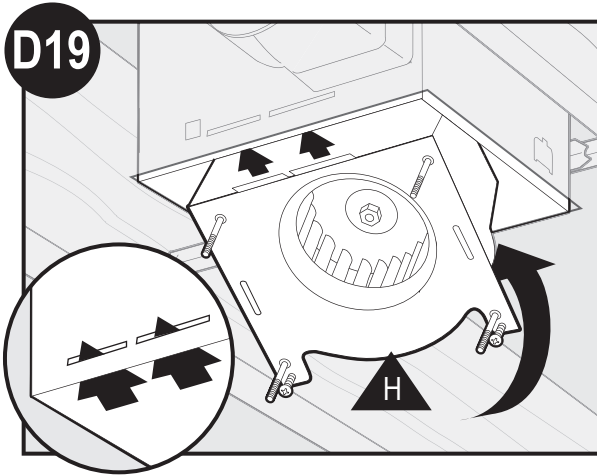
Conecte los alambres como se muestra.



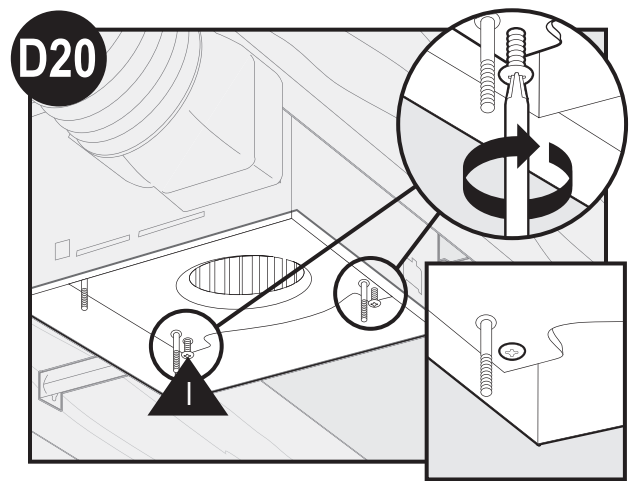
Instale la placa de cubierta del cableado. Asegúrese que todas las conexiones de cableado estén dentro de la caja o debajo de la placa de cubierta del cableado.



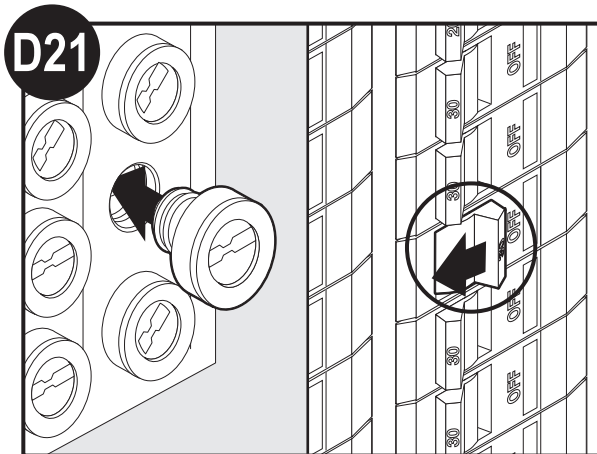
Conecte el mazo de cables. NO PERMITA QUE EL MOTOR/SOPLADOR CUELGUE DEL MAZO DE CABLES.



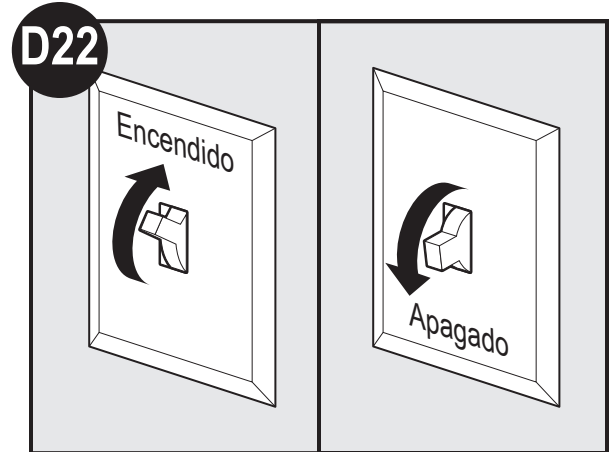
Vuelva a instalar el motor/soplador introduciendo las pestañas y levantando a su posición. Asegúrese que los alambres no se pellizquen entre el motor/soplador y el alojamiento.



Asegure el motor/soplador apretando los 2 tornillos.



Encienda la fuente de alimentación.



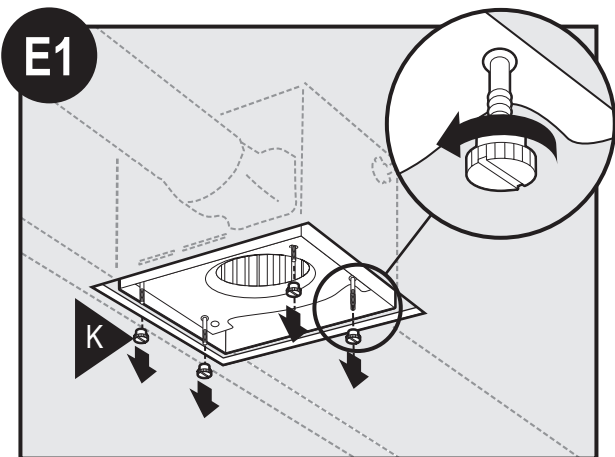
Pruebe el motor/soplador. Si el motor/soplador no funciona, verifique la conexión del enchufe.

D23

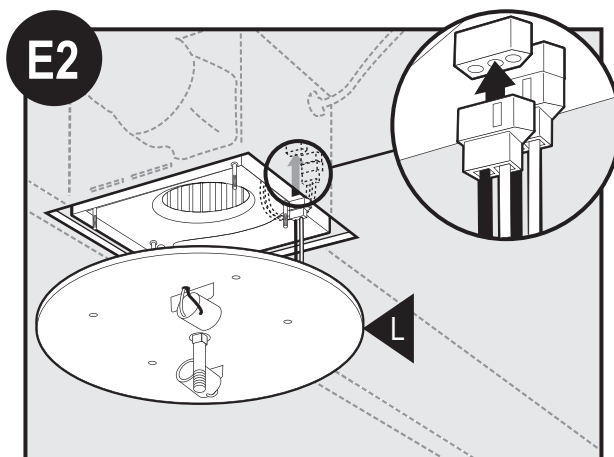
Vaya al paso

E1

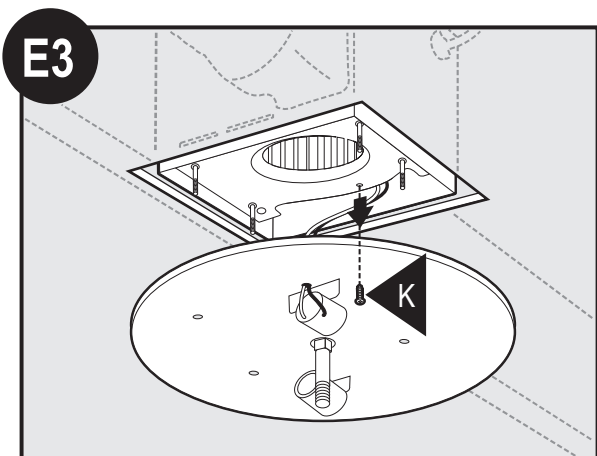
en la página 40 para
fijar la rejilla



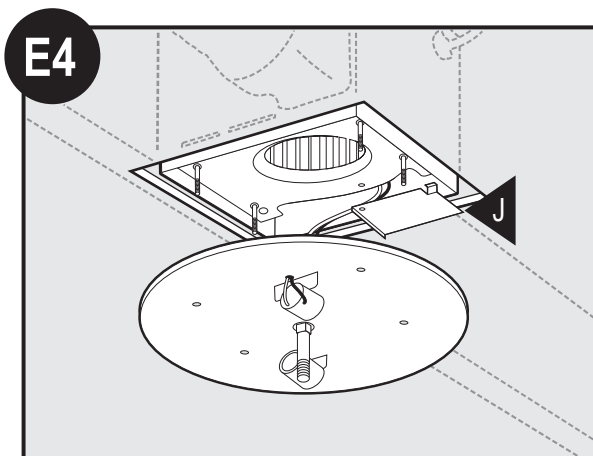
Retire los tornillos de mano.



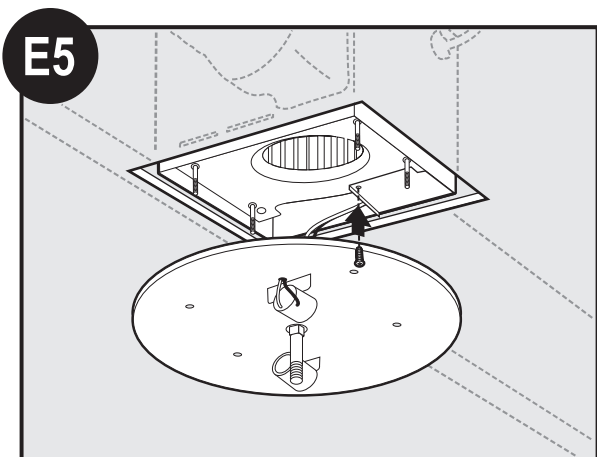
Conecte el mazo de cables. NO PERMITA QUE EL ARTEFACTO DE ILUMINACIÓN CUELGA DEL MAZO DE CABLES.



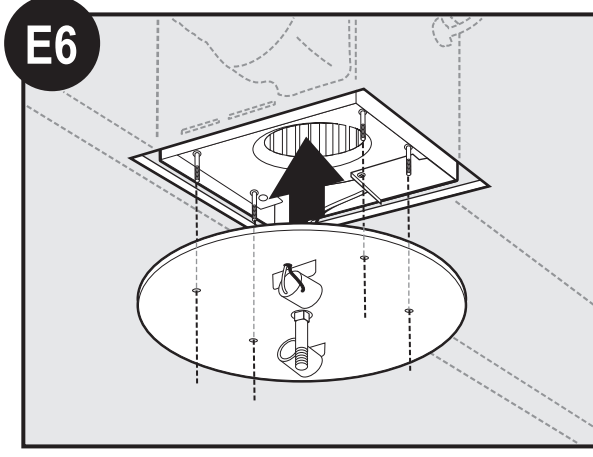
Retire el tornillo del soporte del aliviador de tensiones.



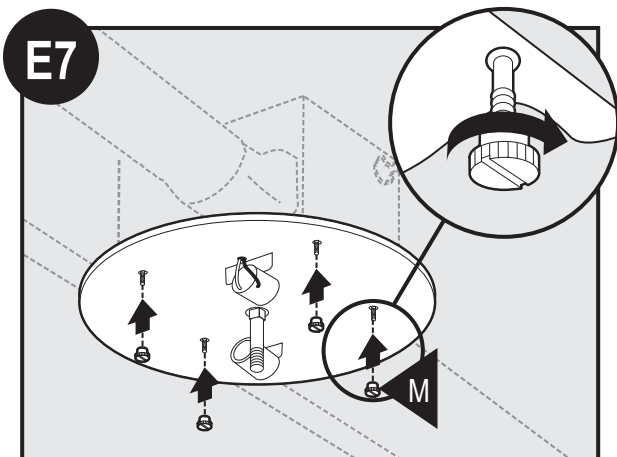
Coloque el soporte del aliviador de tensiones (3) debajo del motor como se muestra.



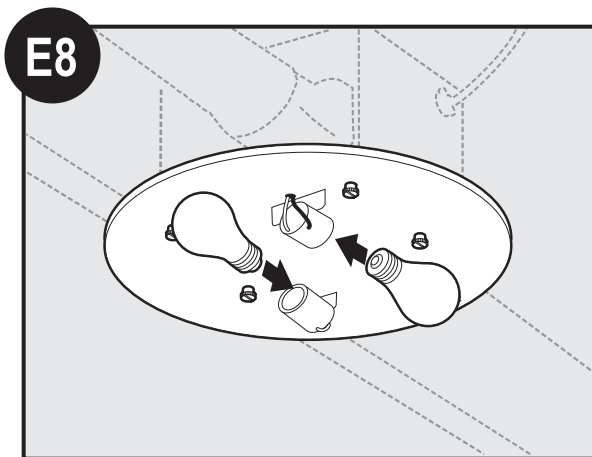
Introduzca la pestaña en ángulo del soporte del aliviador de tensiones para que se enganche en el borde del motor. Reinstale el tornillo del soporte del aliviador de tensiones.



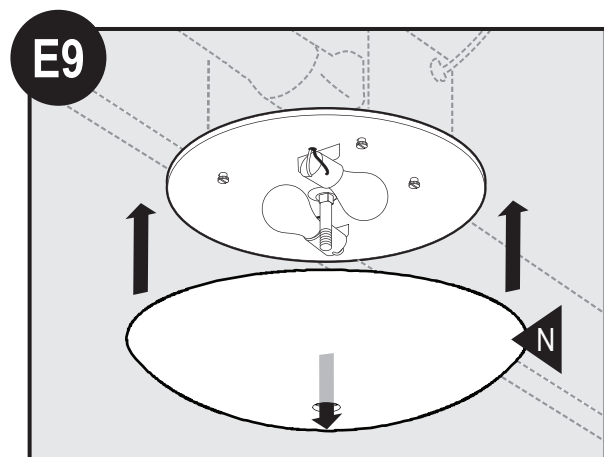
Alinee los postes A, B, C y D (estampados en la caja del motor/soplador) con los postes A, B, C y D (estampados en el artefacto de iluminación). Deslice la lámpara sobre los postes.



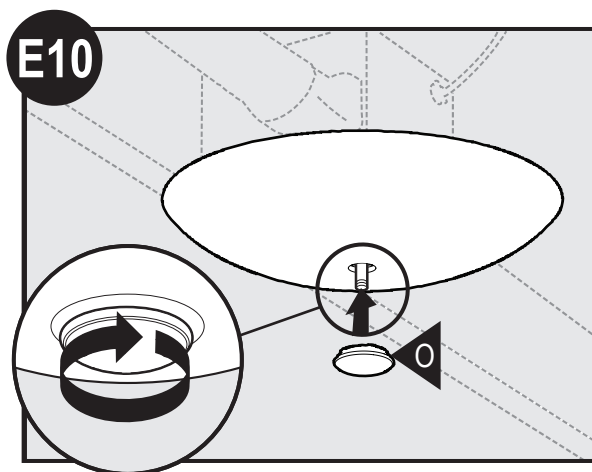
Instale los tornillos de mano. ADVERTENCIA: Para reducir el riesgo de descarga eléctrica, los 4 tornillos de mano DEBEN instalarse apropiadamente.



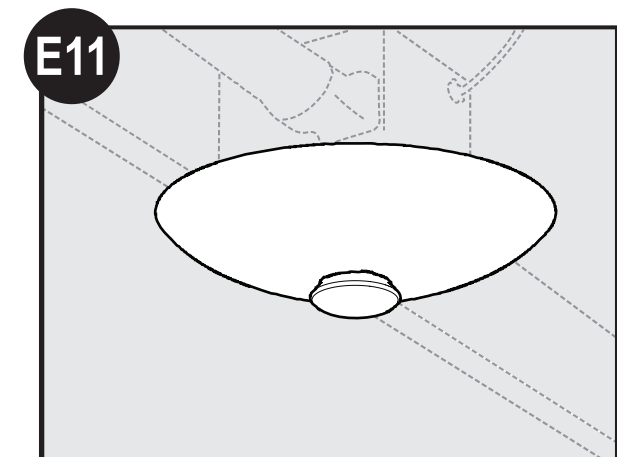
Instale 2 bombillas A-15 de 60 vatios como máximo (No incluidas).



Alinee el la pantalla y levante



Enrosque la cubierta ornamental



Completo.

Solución de problemas

Problema: El ventilador no está operando.

Solución:

- Los ventiladores de baño Hunter son muy silenciosos. Para confirmar que el ventilador esté funcionando, coloque su mano cerca de los conductos de ventilación para sentir el movimiento del aire.
- Encienda la alimentación eléctrica, reemplace el fusible o restablezca el interruptor automático.
- Verifique todas las conexiones de los enchufes para asegurarse que estén firmes.
- Verifique el cableado para asegurarse que coincida con el diagrama de cableado.

Problema: La luz no funciona.

Solución:

- Reemplace la bombilla con una nueva.
- Encienda la alimentación eléctrica, reemplace el fusible o restablezca el interruptor automático.
- Verifique todas las conexiones de los enchufes para asegurarse que estén firmes.
- Verifique el cableado para asegurarse que coincida con el diagrama de cableado.

Problema: El ventilador hace ruido.

Solución:

- Verifique y apriete todos los pernos y tornillos.
- Verifique la pantalla para asegurarse que esté firme.
- Verifique la clapeta para asegurarse que se mueva con libertad.

Si necesita repuestos o servicio, llame al 888-830-1326 o visite nuestro sitio web en <http://www.hunterfan.com>.

Garantía

Hunter Fan Company
Extractor de aire para baño
GARANTÍA LIMITADA

Hunter Fan Company establece la siguiente garantía limitada al usuario o comprador original de este Extractor de aire para baño Hunter:

Si alguna pieza de su Extractor de aire para baño Hunter (con excepción de las lámparas de vidrio y las bombillas) falla en cualquier momento dentro de un año después de la fecha de compra debido a una falla de material o mano de obra, repararemos o, a nuestra elección, reemplazaremos la pieza defectuosa sin costo de partes y mano de obra realizada en nuestro centro de reparaciones más cercano o en nuestro Departamento de servicio en Memphis, Tennessee. Después de este período de un año, usted será responsable de todos los costos de partes y mano de obra para reparaciones del Extractor de aire para baño, con excepción de reparaciones del motor, como se estipula a continuación.

Si el motor de su Extractor de aire para baño Hunter falla en cualquier momento dentro de cinco años después de la fecha de compra debido a una falla de material o mano de obra, la mano de obra y los materiales para reparar la falla serán proporcionados sin costo en nuestro centro de reparaciones más cercano o en nuestro Departamento de servicio en Memphis, Tennessee. Si no puede proporcionarse alguna parte de reemplazo, a nuestra elección, le reembolsaremos el precio de compra real de su Extractor de aire para baño o le proporcionamos uno de reemplazo sin costo. Después de este período de cinco años, usted será responsable de todos los costos de partes y mano de obra para reparaciones de cualquier componente del Extractor de aire para baño.

SI EL USUARIO O COMPRADOR ORIGINAL DEJA DE POSEER EL EXTRACTOR DE AIRE, ESTA GARANTÍA Y CUALQUIER GARANTÍA IMPLÍCITA QUE PERMANEZCA EN EFECTO, INCLUYENDO PERO SIN LIMITARSE A TODA GARANTÍA IMPLÍCITA DE COMERCIABILIDAD O IDONEIDAD PARA UN PROPÓSITO PARTICULAR, QUEDA ANULADA. NO SE OFRECE NINGUNA GARANTÍA EXPRESA O IMPLÍCITA, INCLUYENDO CUALQUIER GARANTÍA DE COMERCIABILIDAD O IDONEIDAD PARA UN PROPÓSITO PARTICULAR, PARA LAS LÁMPARAS DE VIDRIO O LAS BOMBILLAS O EL ACABADO DE CUALQUIER PARTE METÁLICA DEL EXTRACTOR DE AIRE PARA BAÑO.

ESTA GARANTÍA SUSTITUYE A TODAS LAS OTRAS GARANTÍAS EXPRESAS. LA DURACIÓN DE TODA GARANTÍA IMPLÍCITA, INCLUYENDO PERO SIN LIMITARSE A CUALQUIER GARANTÍA IMPLÍCITA DE COMERCIABILIDAD O IDONEIDAD PARA UN PROPÓSITO PARTICULAR, CON RESPECTO DE CUALQUIER MOTOR DE EXTRACTOR DE AIRE PARA BAÑO HUNTER U OTRA PARTE DEL VENTILADOR, ESTÁ EXPRESAMENTE LIMITADA AL PERIODO DE LA GARANTÍA EXPRESA ESTABLECIDA ANTERIORMENTE PARA DICHOS MOTORES U OTRAS PARTES.

Esta garantía es nula si su Extractor de aire para baño no se adquiere e instala en los EE.UU. Esta garantía excluye y no cubre defectos, averías o fallas del Extractor de aire para baño Hunter que fueran ocasionados por reparaciones por parte de personas no autorizadas por nosotros, por el uso de piezas o accesorios no autorizados por nosotros, por mal uso, modificaciones, o daños al Extractor de aire para baño Hunter mientras esté en su posesión, o por un empleo no razonable, incluyendo la falta de suministrar un razonable y necesario mantenimiento.

Para obtener servicio, contacte con el centro de servicio autorizado Hunter más cercano o con nuestro Departamento de servicio de Hunter Fan Company, en 2500 Frisco Avenue, Memphis, Tennessee 38114. Le agradeceremos que se ponga en contacto con nosotros antes de enviarnos su Extractor de aire para baño. Si le autorizamos a enviarlo, usted será responsable de todos los cargos de seguro y flete o de otras cargas del transporte a nuestra planta o centro de reparaciones. Devolveremos su Extractor de aire para baño Hunter con el flete prepagado. Su Extractor de aire para baño Hunter se debe embalar apropiadamente para evitar daños durante el tránsito ya que no seremos responsables de dichos daños. Al solicitar un servicio de garantía, debe exhibir una prueba de su compra. El comprador debe presentar el recibo de compra u otro documento que establezca la prueba de su compra.

EN NINGÚN CASO HUNTER FAN COMPANY SERÁ RESPONSABLE DE DAÑOS PERJUDICIALES O ACCESORIOS.

ALGUNOS ESTADOS NO PERMITEN LIMITACIONES SOBRE LA DURACIÓN DE UNA GARANTÍA IMPLÍCITA O LA EXCLUSIÓN O LIMITACIÓN DE DAÑOS ACCESORIOS O PERJUDICIALES, POR LO QUE LA LIMITACIÓN O EXCLUSIONES ANTES MENCIONADAS PUEDEN NO APLICARSE A USTED.

LA GARANTÍA LE DA DERECHOS LEGALES ESPECÍFICOS, PERO USTED TAMBIÉN PUEDE TENER OTROS DERECHOS QUE VARÍAN DE ESTADO A ESTADO.

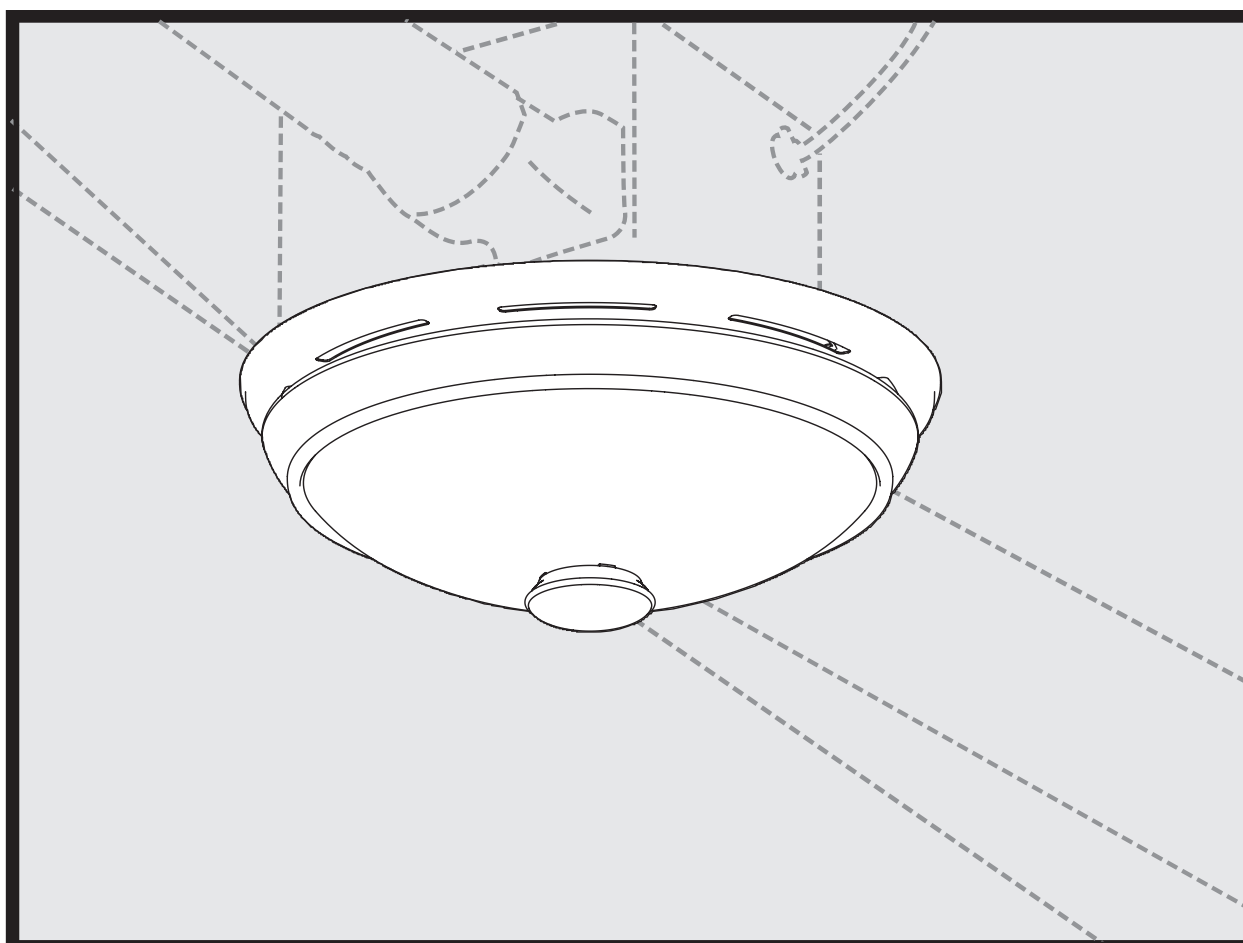




SINCE

1886

G u i d e d ' i n s t a l l a t i o n



Model 81021 Victorian Ventilateur de salle de bain avec lumière
LIRE ET CONSERVER CES CONSIGNES

FRANÇAIS



M I S E E N G A R D E

POUR RÉDUIRE LE RISQUE D'INCENDIE, DE DÉCHARGE ÉLECTRIQUE OU DE BLESSURES, VEUILLEZ SUIVRE LES DIRECTIVES SUIVANTES :

1. Utiliser cet appareil seulement de la façon prévue par le fabricant. Si vous avez des questions, communiquer avec le fabricant.
2. Avant l'entretien ou le nettoyage de cet appareil, couper le courant au panneau de service et verrouiller les moyens de déconnexion pour empêcher que le courant soit remis accidentellement. Si vous ne pouvez pas verrouiller les moyens de déconnexion, bien attacher un dispositif de mise en garde visible, comme une étiquette au panneau de service.
3. Une personne qualifiée doit effectuer le travail d'installation et de câblage électrique conformément à tous les codes et normes applicables, y compris les codes et normes de la construction pare-feu.
4. Il faut suffisamment d'air pour une bonne combustion et un bon échappement des gaz par le conduit (cheminée) de l'équipement brûlant le combustible pour empêcher un refoulement. Suivre les directives du fabricant de votre installation de chauffage ainsi que les normes de sécurité telles que celles publiées par l'association nationale de protection contre les incendies (NFPA, National Fire Protection Association), la société américaine des ingénieurs en chauffage, réfrigération et climatisation (ASHRAE, American Society for Heating, Refrigeration, and Air Conditioning Engineers), et les administrations des codes locaux.
5. Ne pas endommager le câblage électrique ou autres équipements cachés en coupant ou en perçant les murs ou le plafond.
6. Les ventilateurs canalisés doivent toujours disposer d'une évacuation vers l'extérieur.
7. Si cet appareil doit être installé au dessus d'un bain ou d'une douche, il doit être identifié comme approprié à cet usage connecté à un disjoncteur de fuite à la terre.
8. Ne jamais poser un interrupteur qu'on pourrait atteindre depuis une baignoire ou une douche.
9. Installer le ventilateur à au moins 1,52 (5 pi) au-dessus du plancher.
10. Il faut mettre cette unité à la terre.
11. Il ne faut pas installer cet appareil dans un plafond ayant une isolation thermique supérieure à R40.



ATTENTION

1. Uniquement pour un usage général de ventilation. Ne pas s'en servir pour ventiler des matériaux ou des vapeurs dangereux ou explosifs.
2. Pour éviter des dommages au palier du moteur et des turbines bruyantes ou mal équilibrées, protéger le groupe moteur de la peinture au pistolet, la poussière de construction, etc.
3. NE PAS installer ce produit dans un mur. Ce produit est conçu pour être installé dans les plafonds avec un angle de 45°, la gaine doit pointer vers le haut.
4. Veuillez lire l'étiquette des spécifications sur le produit pour des renseignements et conditions supplémentaires.



MISE EN GARDE

DÉCONNECTER L'ALIMENTATION ÉLECTRIQUE ET VERROUILLER LE PANNEAU DE SERVICE AVANT DE FAIRE L'ENTRETIEN DE L'UNITÉ.

ENTRETIEN PRÉVENTIF

Un ventilateur propre fournit un meilleur service. Couper le courant et nettoyer le ventilateur comme indiqué ci-dessous.

POUR NETTOYER LA GRILLE ; Se servir d'un détergent doux, comme du liquide à vaisselle, et d'un chiffon doux. Ne pas se servir de chiffons abrasifs, de tampons de laine d'acier ou de poudres à récurer.

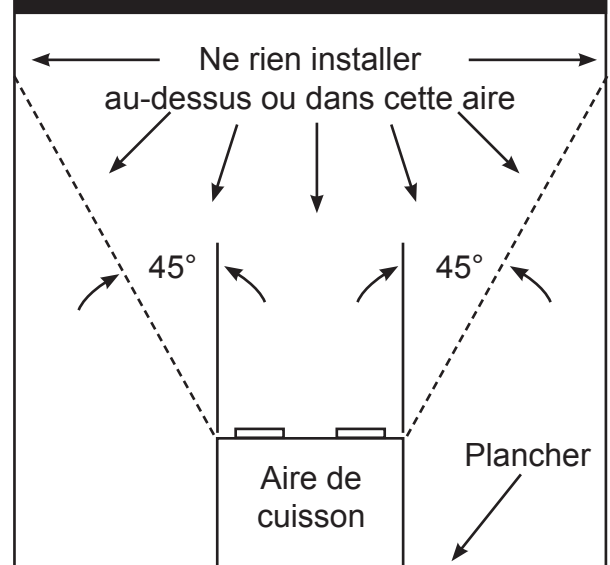
POUR NETTOYER L'ENSEMBLE DU VENTILATEUR ; Débrancher le cordon du moteur/souffleur de la prise. Pour retirer la plaque du moteur/souffleur, repérer la languette unique sur la plaque (située près de la prise). Pousser vers le haut et l'arrière la languette de la plaque de moteur/souffleur tout en poussant vers l'extérieur le côté du boîtier, ou insérer un tournevis dans la fente du boîtier (près de la languette) et faire levier. Passer doucement l'aspirateur sur le ventilateur, le moteur/souffleur et à l'intérieur du boîtier

IL NE FAUT JAMAIS IMMERGER DANS L'EAU LES PIÈCES MÉTALLIQUES ET ÉLECTRIQUES.

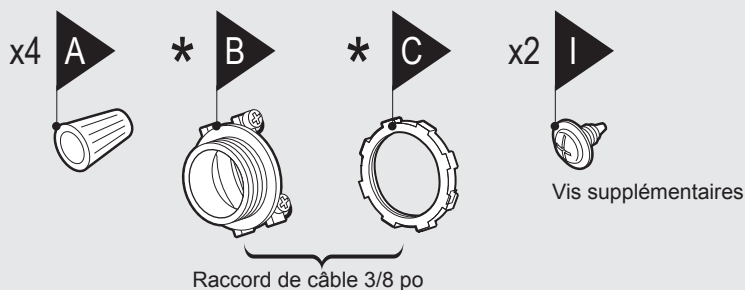
ENTRETIEN

Le moteur/souffleur est lubrifié en permanence et n'a jamais besoin d'huile. Si les paliers du moteur/souffleur font un bruit excessif ou inhabituel, remplacer le moteur/souffleur avec exactement le même moteur/souffleur. Vous devriez en même temps remplacer la turbine.

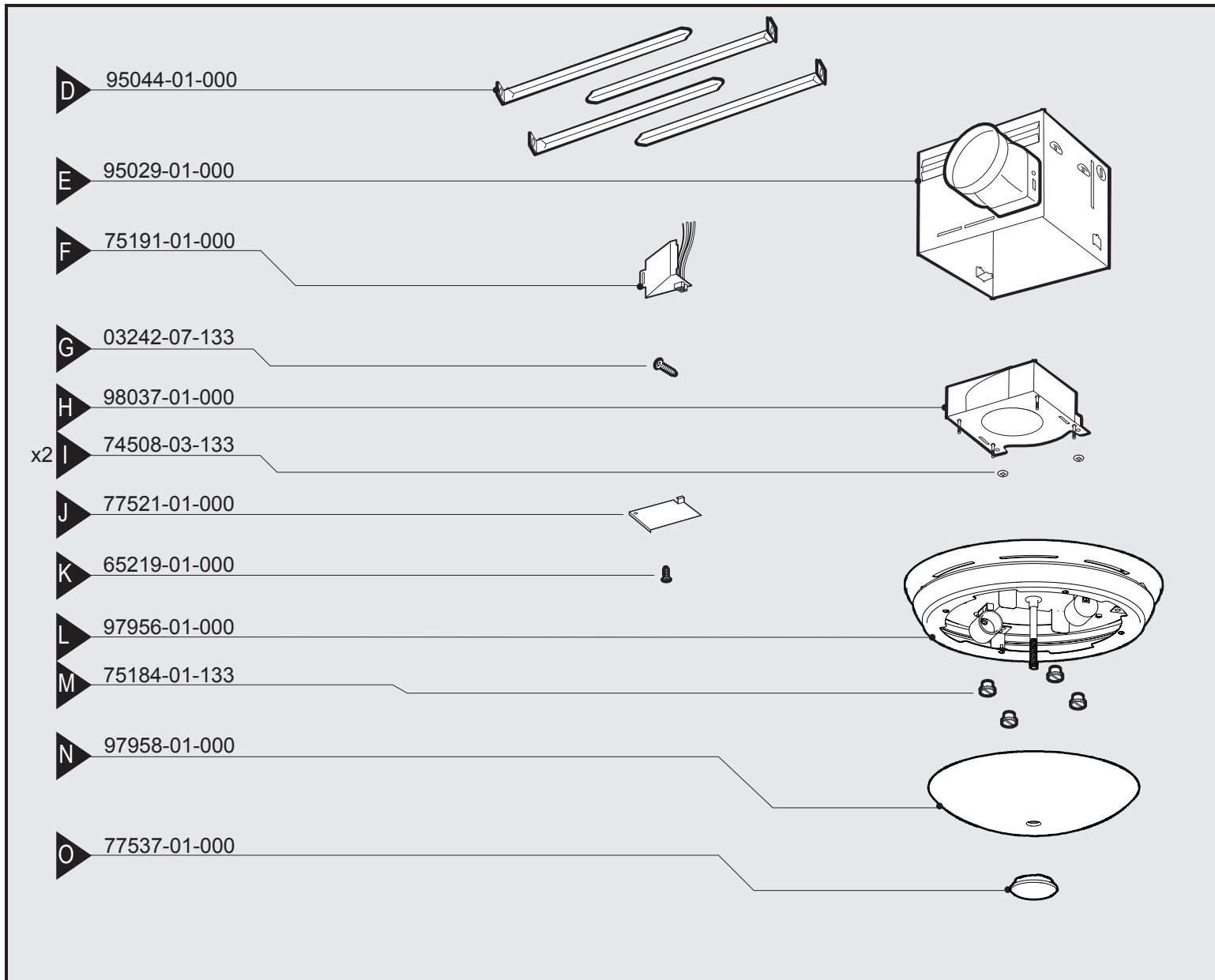
ÉQUIPEMENT DE CUISSON



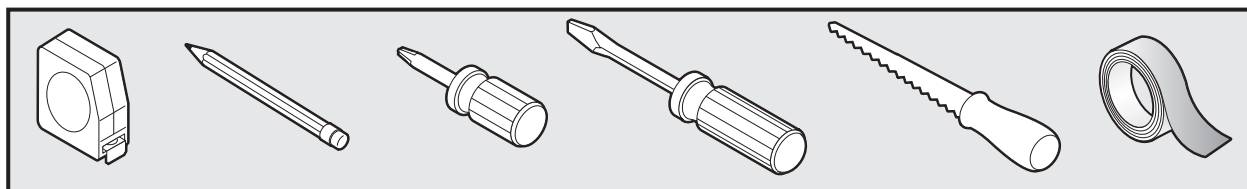
Vérifier toutes les pièces. Si certaines sont endommagées, appeler le 1-866-405-3814 pour des pièces de rechange.



* NOTA: Il faut poser un raccord de câble. Non compris.



Inclus.

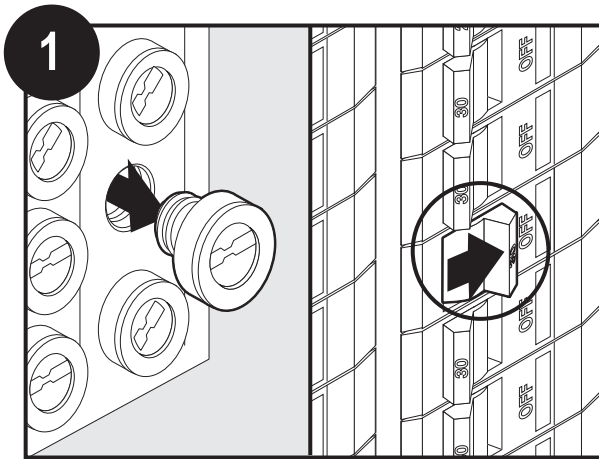


Outils nécessaires. (Non fournis)

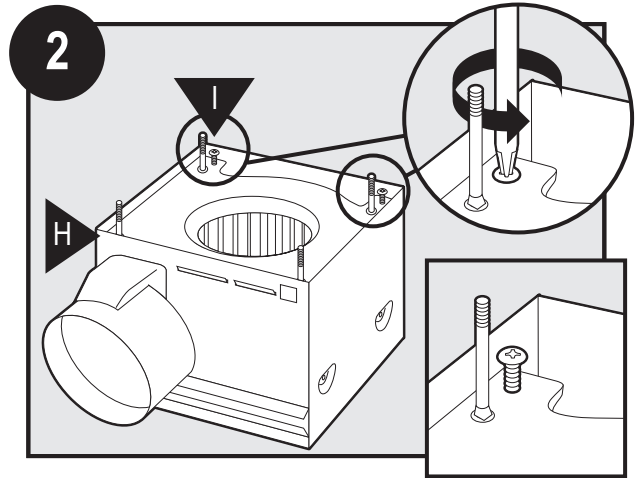
Temps estimé du montage : De 30 à 60 minutes

Avant l'installation

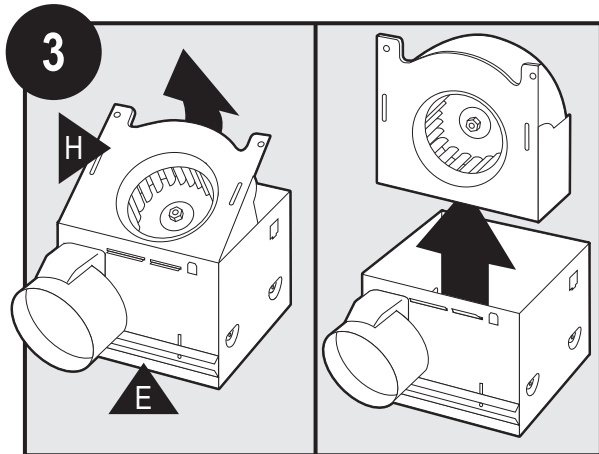
NOTE : Enlevez tous les matériaux d'emballage avant installation.



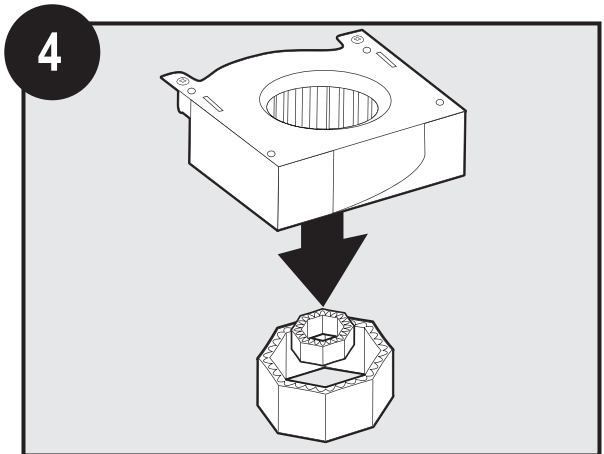
Couper le courant.



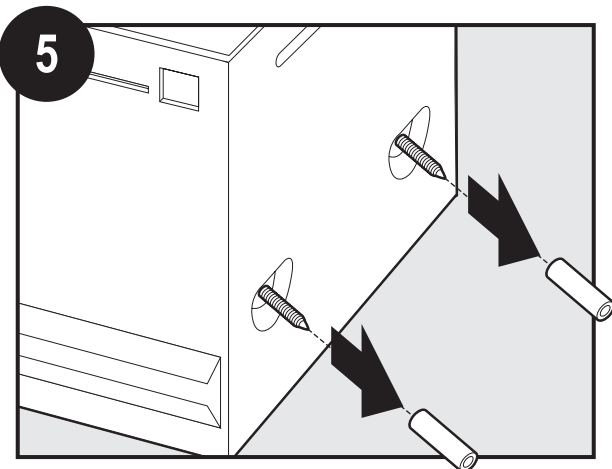
Desserrer les vis.



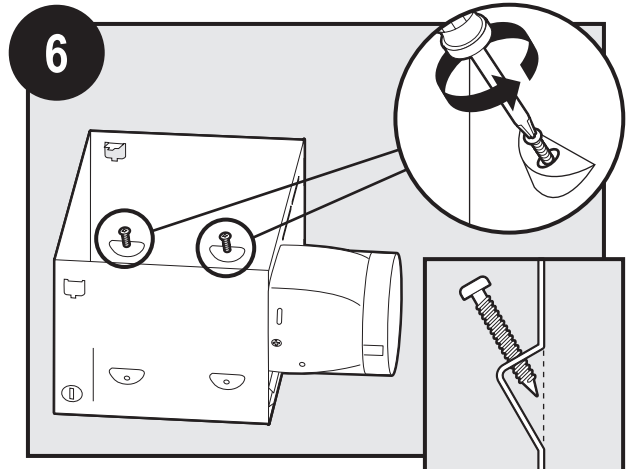
Retirer le moteur/souffleur du boîtier.



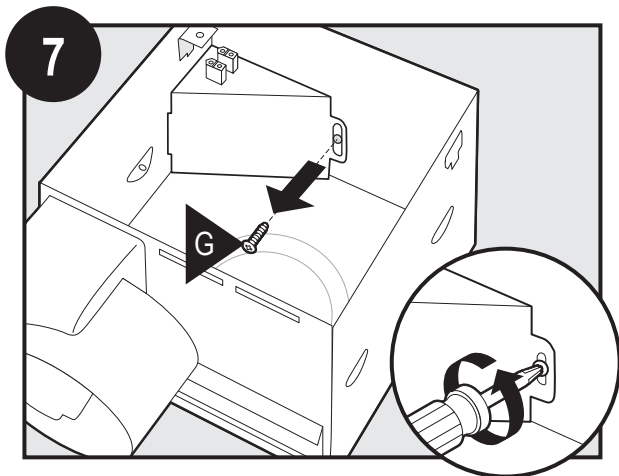
Retirer les matériaux d'emballage.



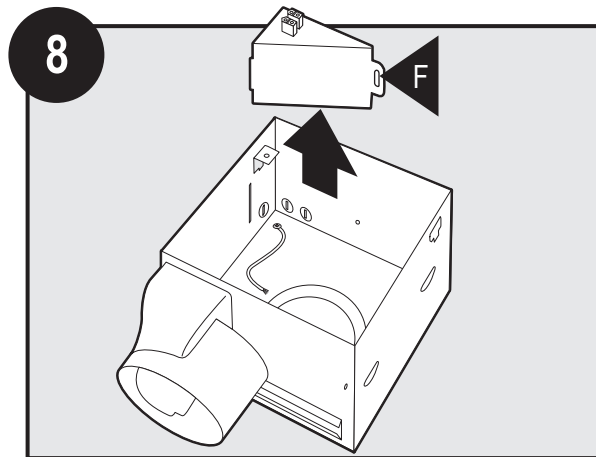
Retirer les capchons du bout des vis pré-installées.



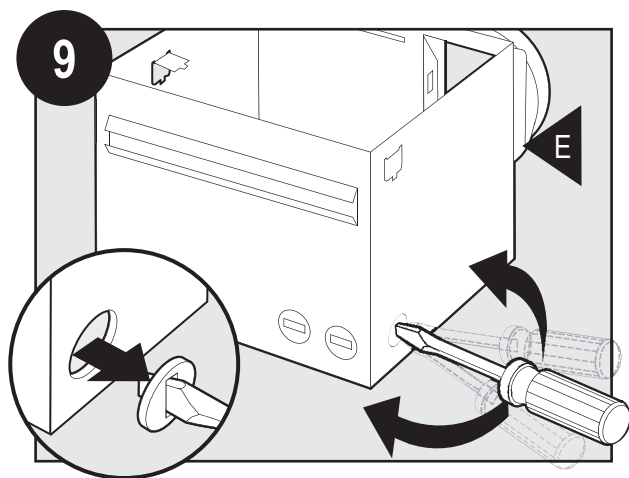
Dévisser les vis pré-installées jusqu'à ce que leur bout affleure le côté du boîtier.



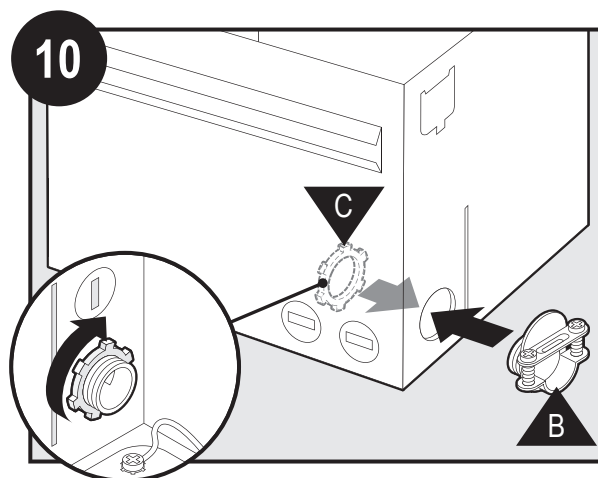
Retirer la vis du couvercle du câblage.



Retirer le couvercle du câblage.



Défoncer le première pastille d'accès.
En utiliser une seconde si nécessaire.

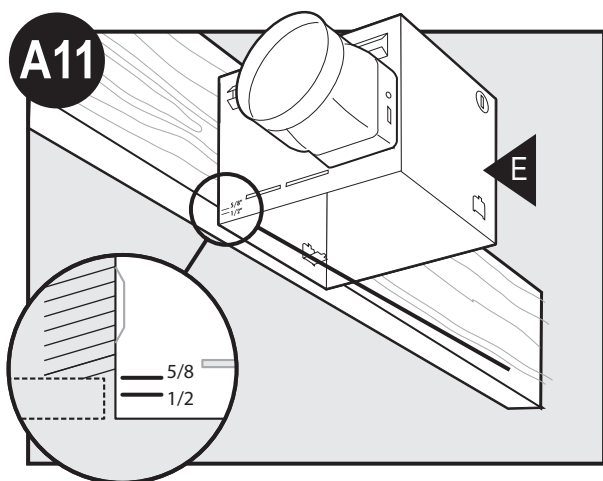


Introduire le raccord (non compris) dans le boîtier
et le fixer avec une rondelle.

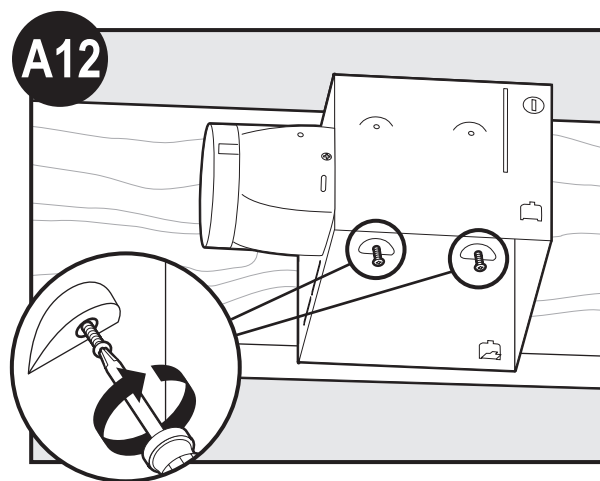
Choisir votre option d'installation

- Pour une nouvelle construction – Fixation à une solive, aller à l'étape A11, page 50
- Pour une nouvelle construction – Fixation entre des solives, aller à l'étape B11, page 52
- Pour une construction existante – accessible du dessus, aller à l'étape C11, page 55
- Pour une construction existante – accessible uniquement du dessous,
aller à l'étape D11, page page 59

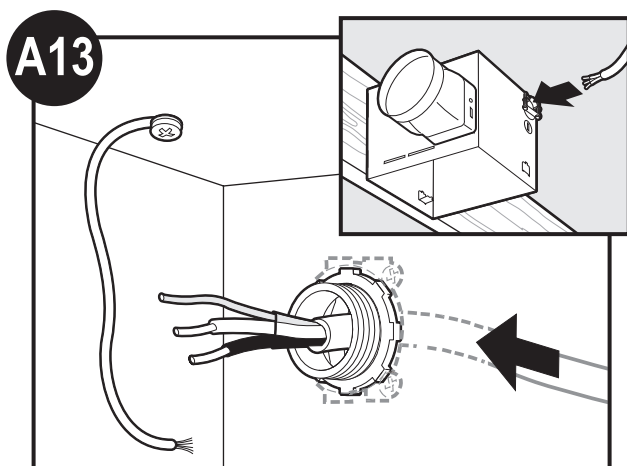
Nouvelle construction – Fixation à une solive



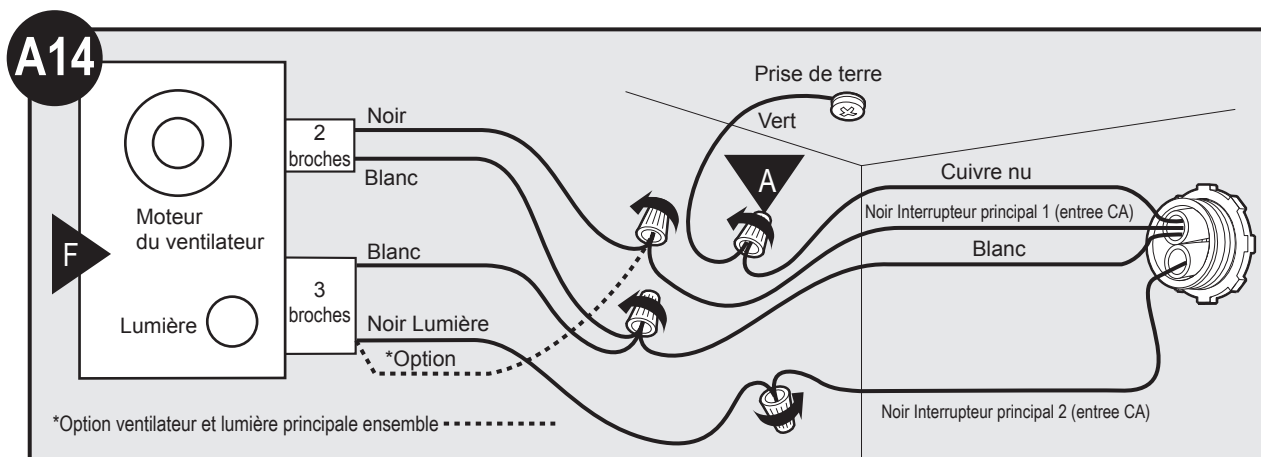
Placer la bonne marque de hauteur sur le bord inférieur de la solive selon l'épaisseur de votre plaque de gypse.



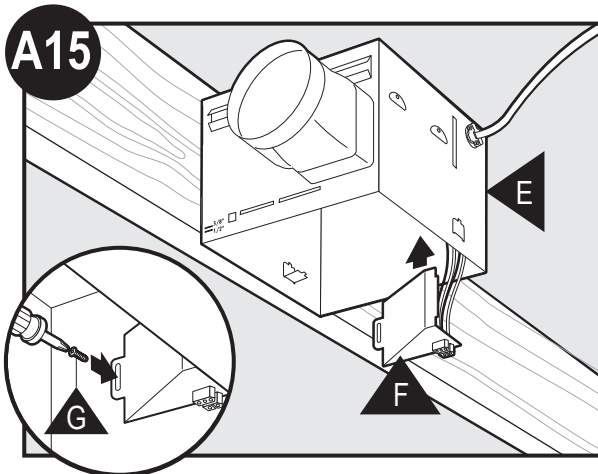
Visser les vis pré-installées dans la solive ou la structure.



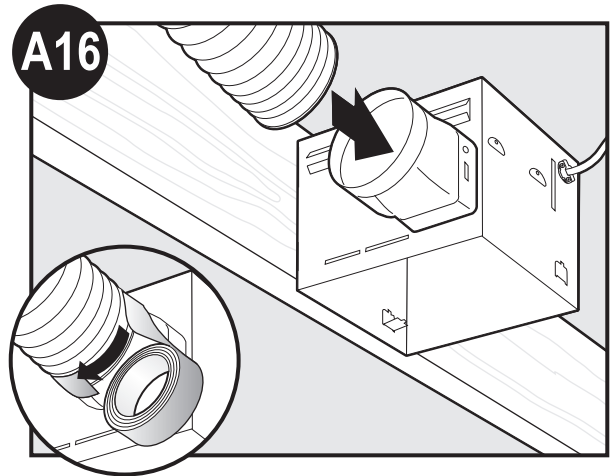
Passer les fils par le raccord.



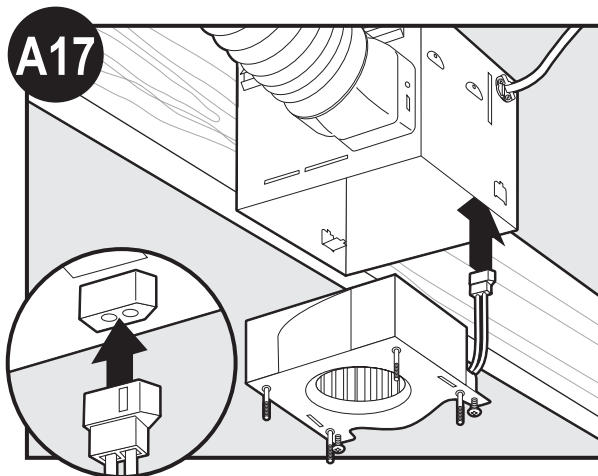
Connecter les fils tel qu'indiqué.



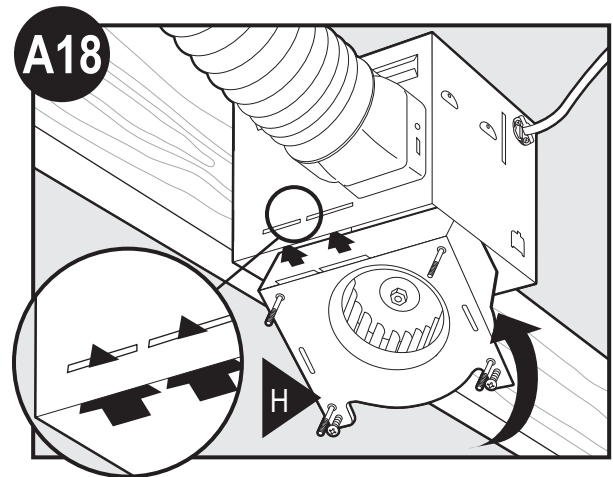
Installer la plaque de couvercle du câblage. Assurez-vous que toutes les connexions de câblage sont dans la boîte ou derrière la plaque de couvercle du câblage.



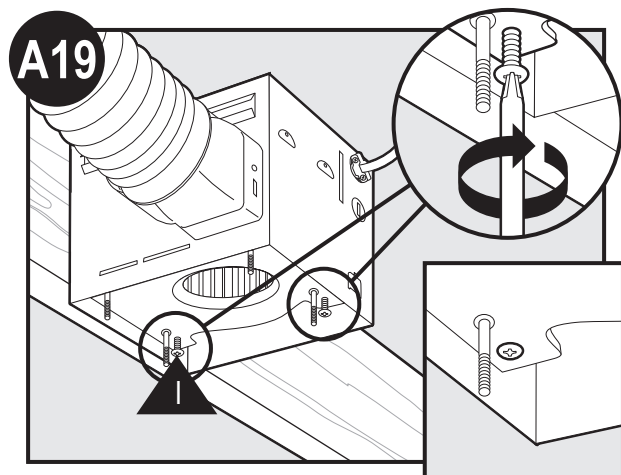
Raccorder la gaine de 4 po et l'évent à l'extérieur. Jointer avec du ruban. Si la gaine n'est pas de la bonne dimension, vous pourriez devoir acheter un adaptateur.



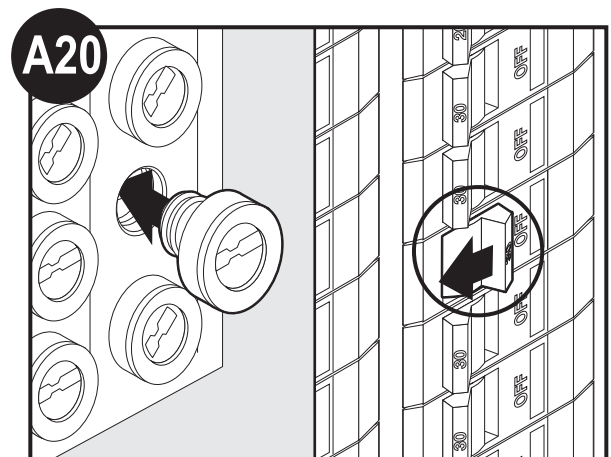
Connecter le câblage. **NE LAISSER PAS LE MOTEUR/SOUFFLEUR PENDRE PAR LE CÂBLAGE.**



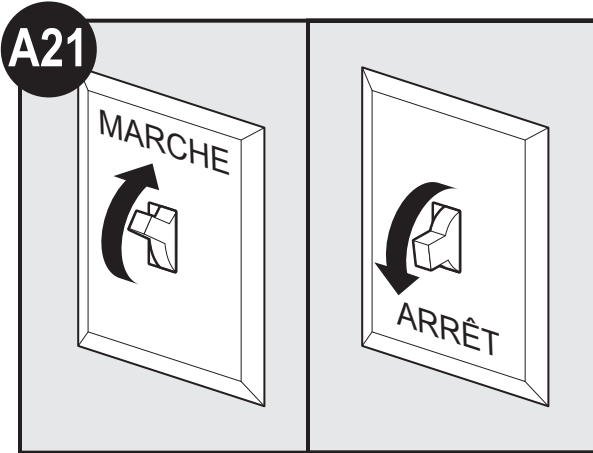
Reposer le moteur en insérant les languettes et en le poussant vers le haut en place. Assurez-vous que les fils n'ont pas été pincés entre le moteur/souffleur et le boîtier.



Fixer le moteur/souffleur en serrant les deux vis.



Remettre le courant.



Essayer le moteur/souffleur. Si le moteur/souffleur ne fonctionne pas, vérifier la connexion enfichable.

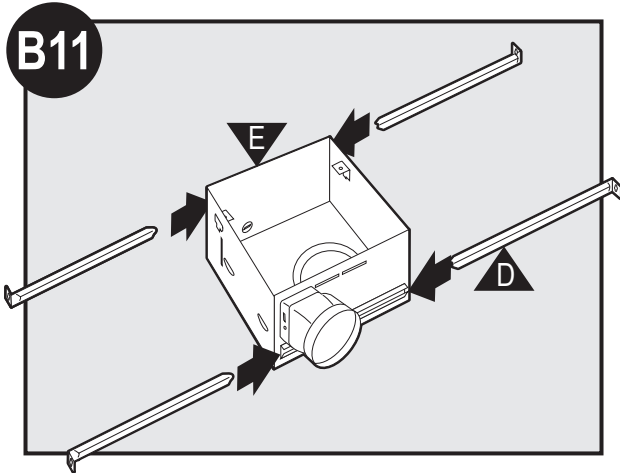
A22

Aller à l'étape

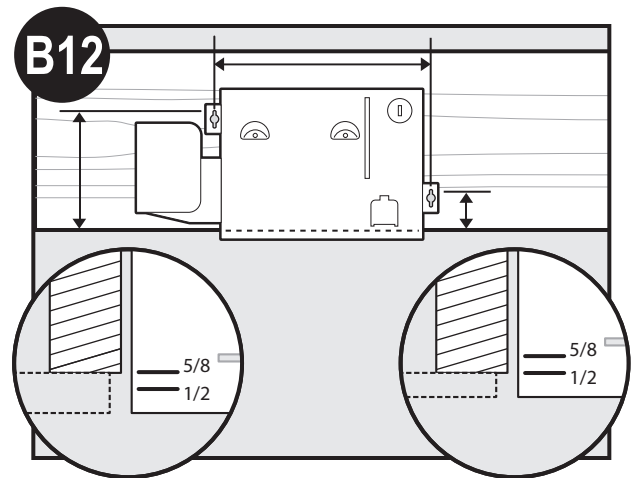
E1

à la page 62
pour fixer la grille.

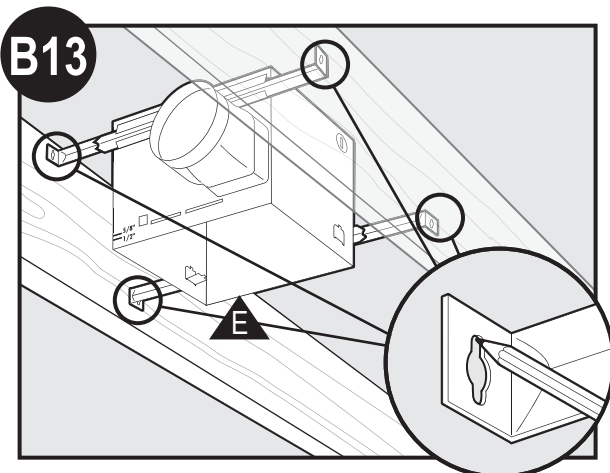
Nouvelle construction – suspendu entre des solives



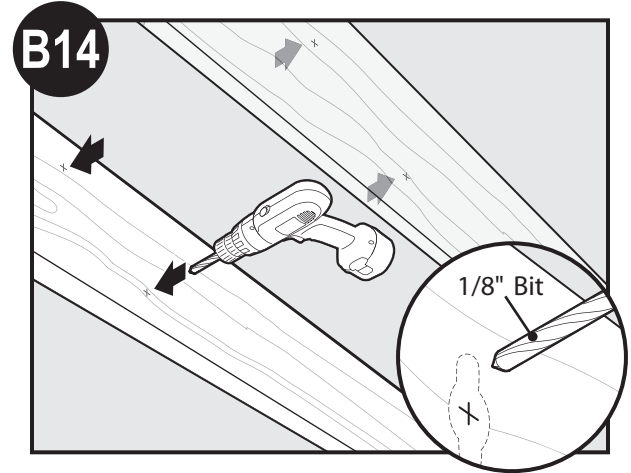
Faire glisser les glissières de fixation dans les supports.



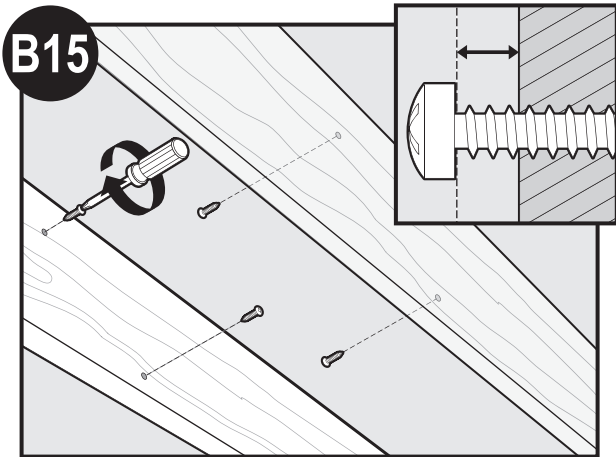
Placer la bonne marque de profondeur sur le bord inférieur de la solive selon l'épaisseur de votre plaque de gypse.



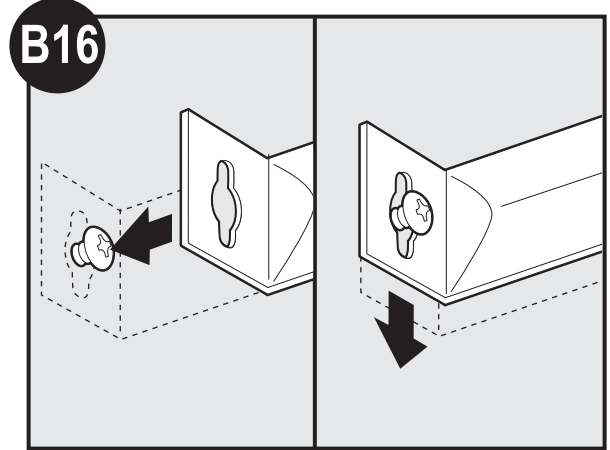
Marquer la position des vis en vous servant des trous comme gabarit.



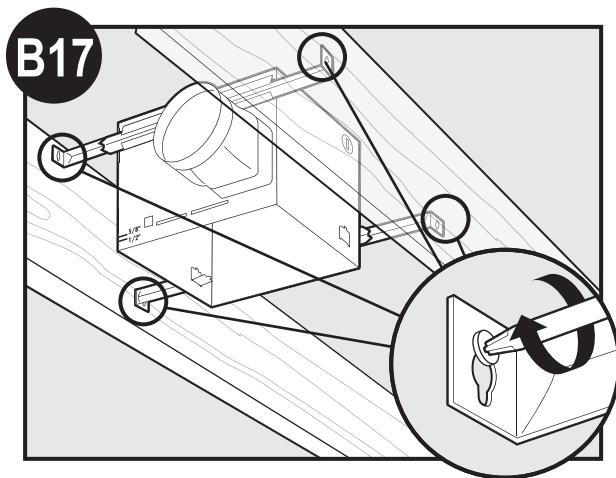
Percer un trou au centre de chaque trait.



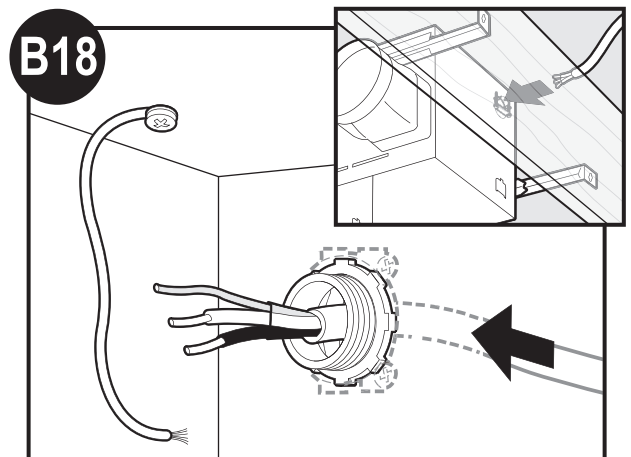
B15
Insérer les vis en laissant un espace entre la tête de la vis et la solive. Les vis ne sont pas fournies.



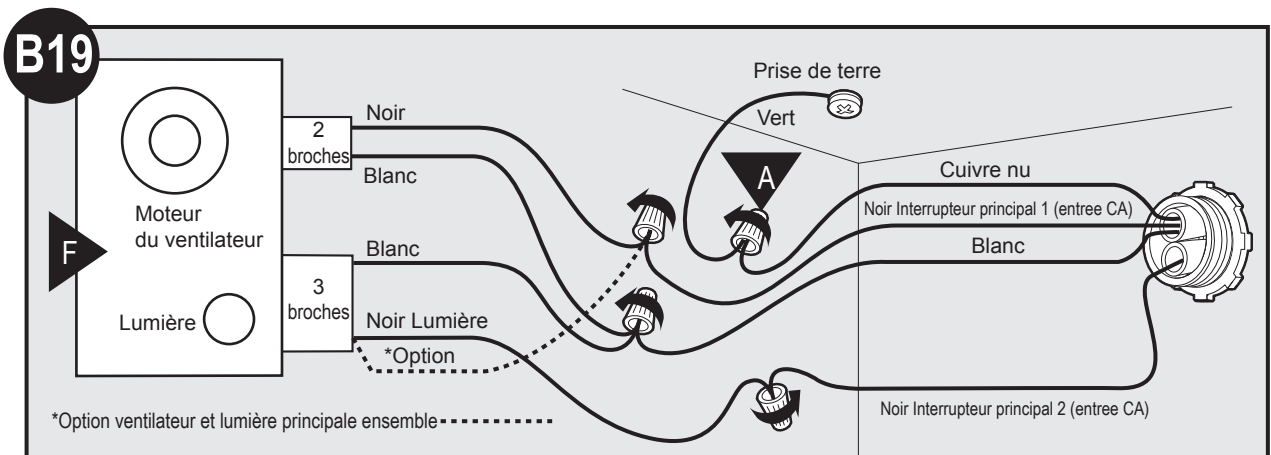
B16
Fixer les glissières sur les vis.



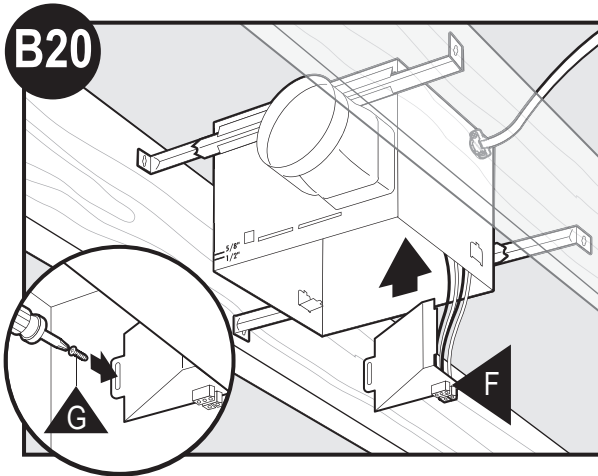
B17
Visser les vis.



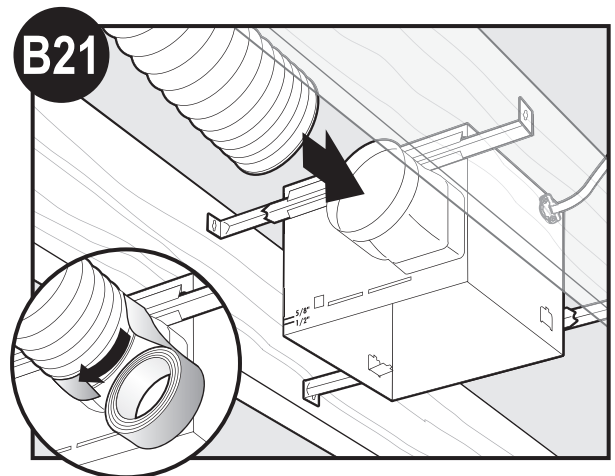
B18
Passer les fils par le raccord.



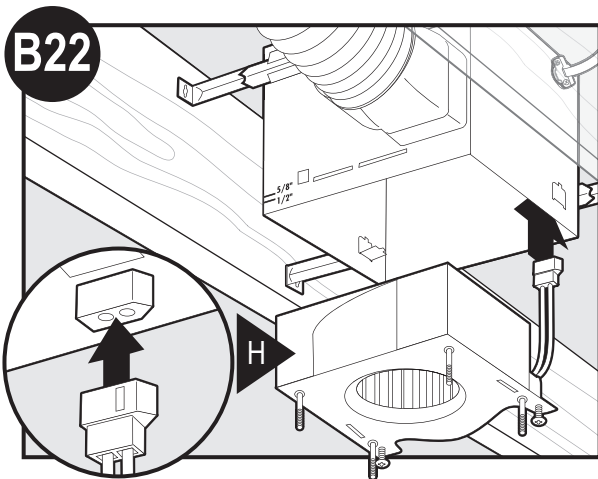
Connecter les fils tel qu'indiqué.



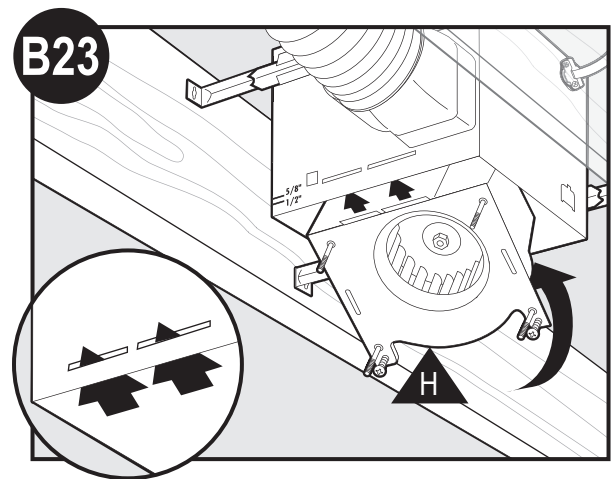
B20
 Installer la plaque de couvercle du câblage. Assurez-vous que toutes les connexions de câblage sont dans la boîte ou derrière la plaque de couvercle du câblage.



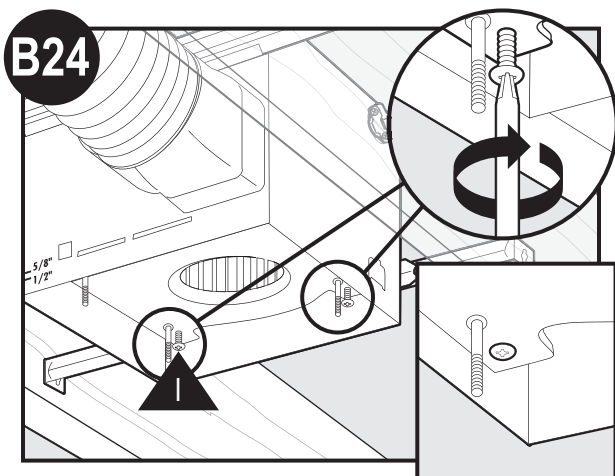
B21
 Raccorder la gaine de 4 po et l'évent à l'extérieur. Jointer avec du ruban. Si la gaine n'est pas de la bonne dimension, vous pourriez devoir acheter un adaptateur.



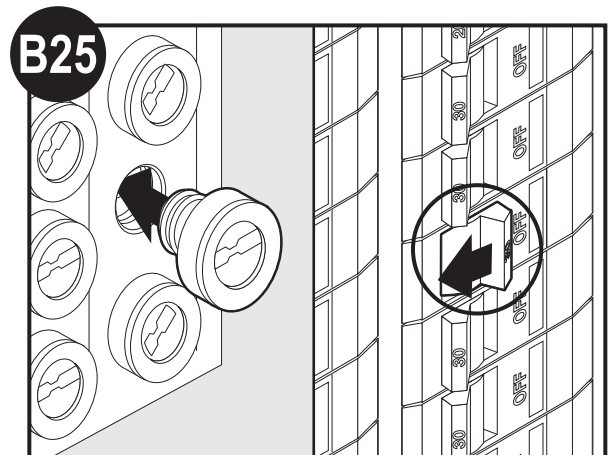
B22
 Connecter le câblage. **NE LAISSER PAS LE MOTEUR/SOUFFLEUR PENDRE PAR LE CÂBLAGE.**



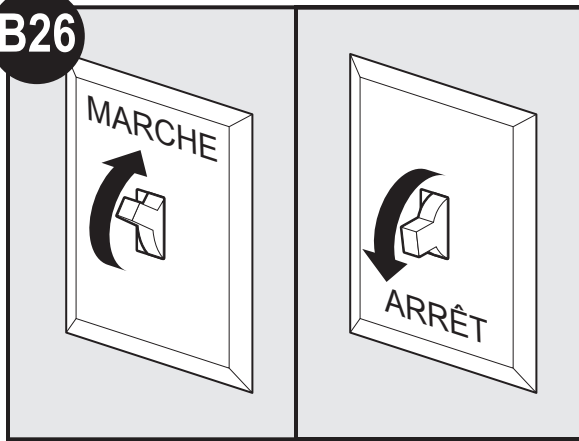
B23
 Reposer le moteur/souffleur en insérant les languettes et en le poussant vers le haut en place. Assurez-vous que les fils n'ont pas été pincés entre le moteur/souffleur et le boîtier.



B24
 Fixer le moteur/souffleur en serrant les deux vis.



B25
 Remettre le courant.

B26

Essayer le moteur/souffleur. Si le moteur/souffleur ne fonctionne pas, vérifier la connexion enfichable.

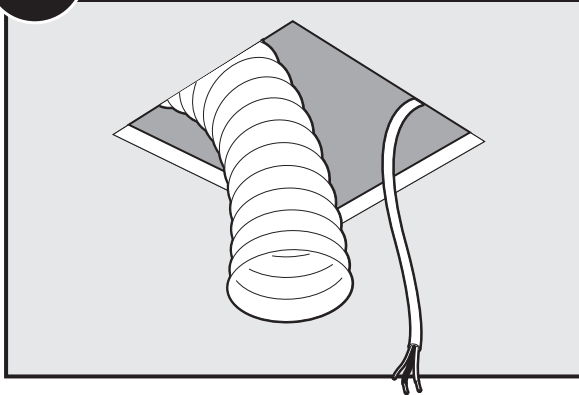
B27

Aller à l'étape

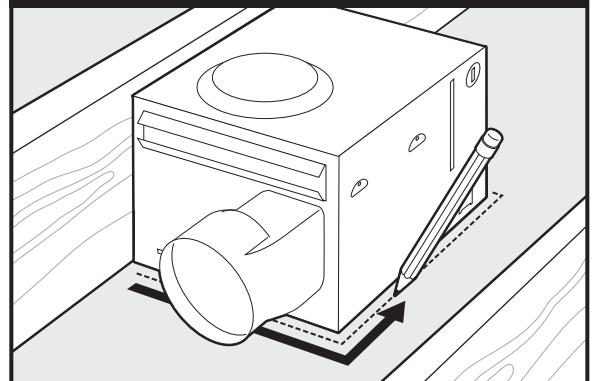
E1

à la page 62
pour fixer la grille.

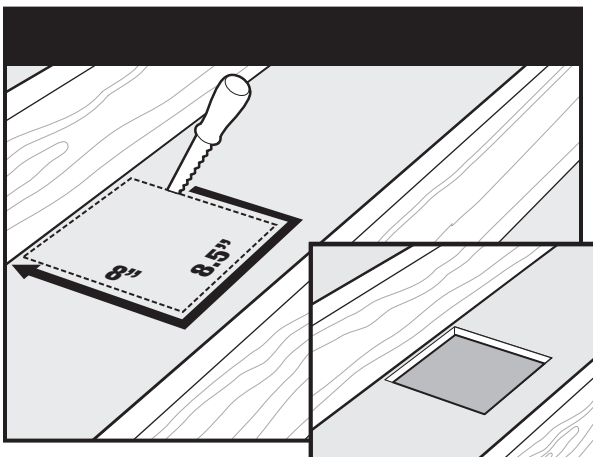
Construction existante – accessible du dessus

C11 VENTILATEUR EXISTANT

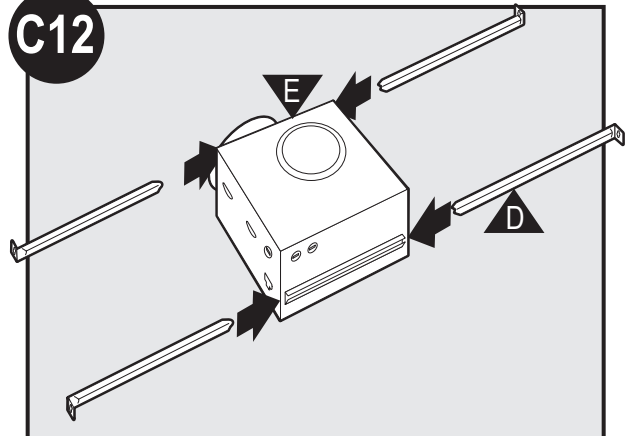
Enlever un ventilateur existant et vérifier que l'ouverture est assez grande pour permettre la pose d'un nouveau boîtier de moteur (203 mm x 216 mm [8 po x 8,5 po]).

SIN VENTILATEUR EXISTANT

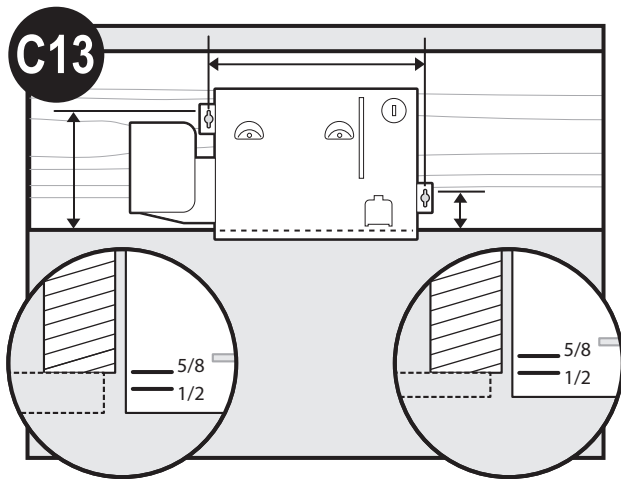
Utiliser le boîtier du moteur comme gabarit pour marquer sa position.



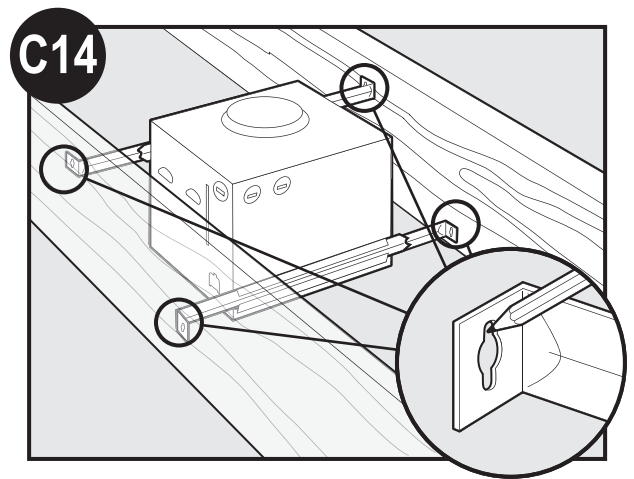
Découper une ouverture pour le boîtier.

C12

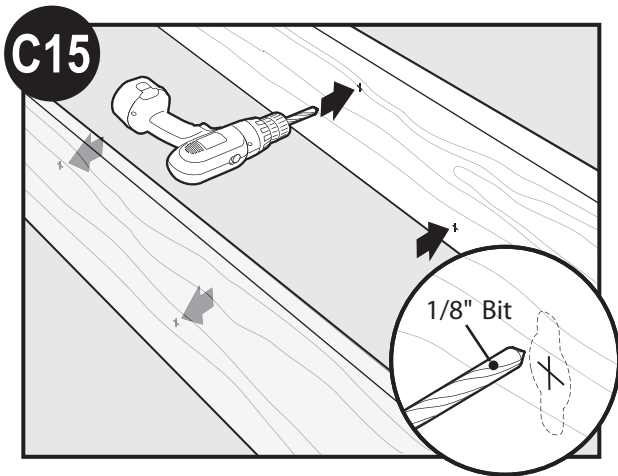
Faire glisser les glissières de fixation dans les supports.



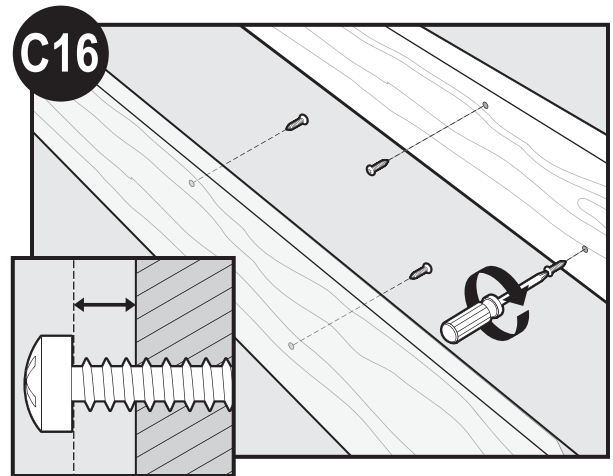
Placer la bonne marque de profondeur sur le bord inférieur de la solive selon l'épaisseur de votre plaque de gypse.



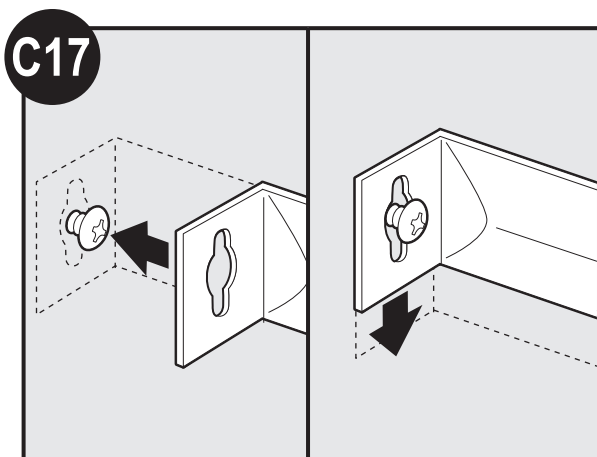
Marquer la position des vis en vous servant des trous comme gabarit.



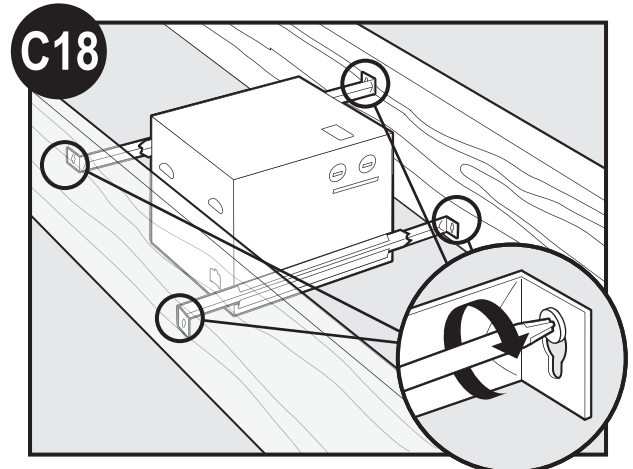
Percer un trou au centre de chaque trait.



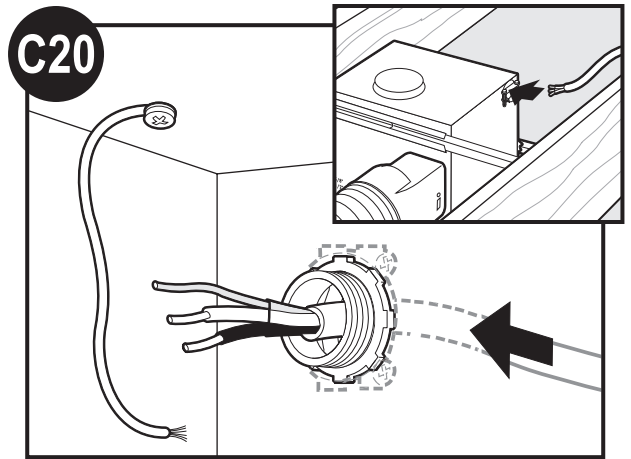
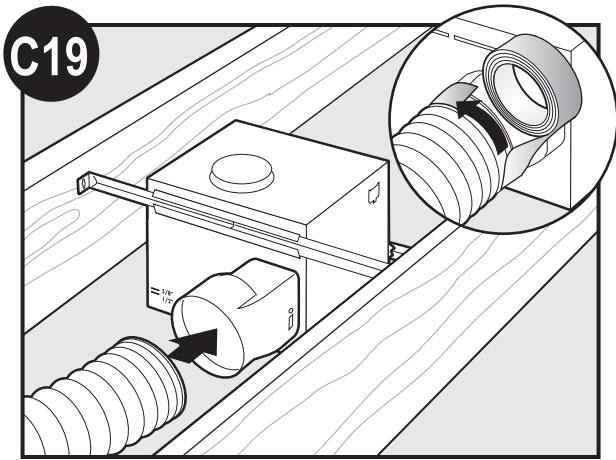
Insérer les vis en laissant un espace entre la tête de la vis et la solive. Les vis ne sont pas fournies.



Fixer les glissières sur les vis.

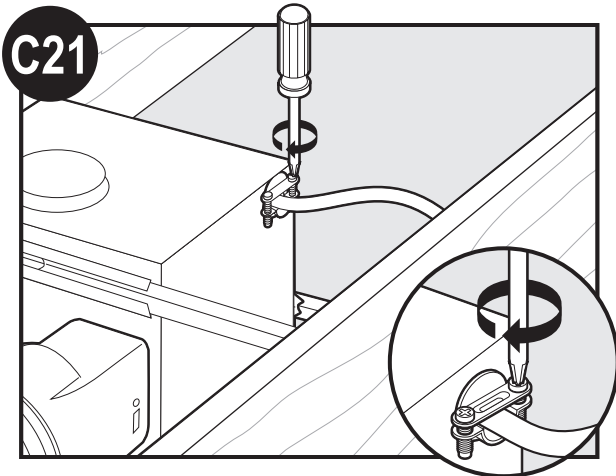


Visser les vis.

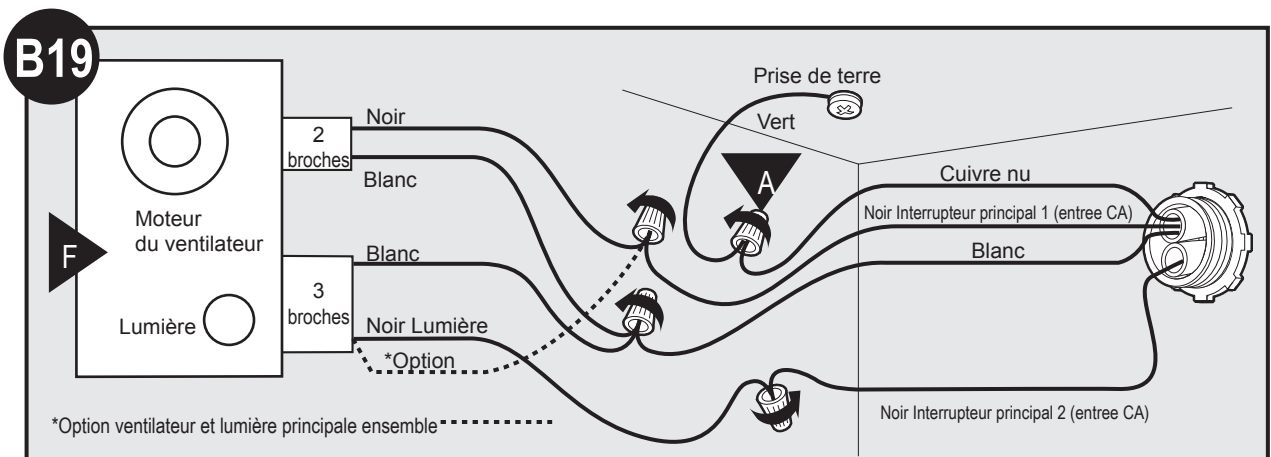


Raccorder la gaine de 4 po et l'évent à l'extérieur. Joindre avec du ruban. Si la gaine n'est pas de la bonne dimension, vous pourriez devoir acheter un adaptateur.

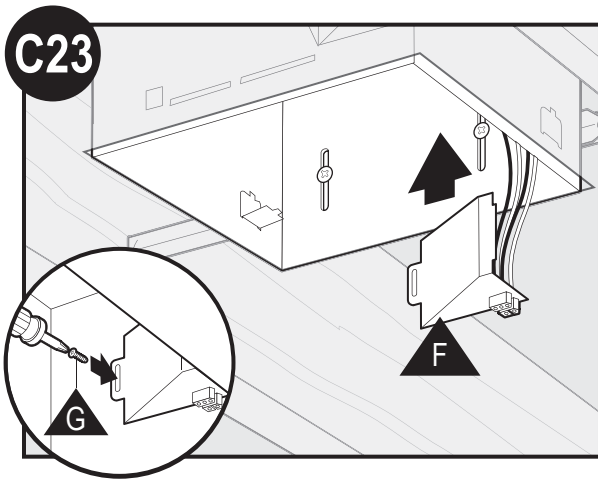
Passer les fils par le raccord.



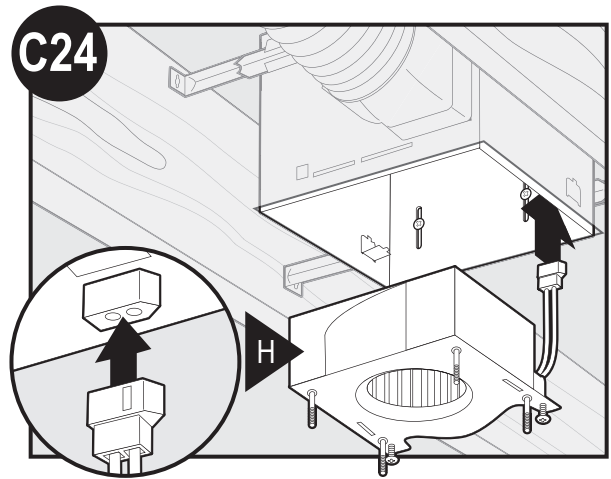
Serrer les vis du raccord.



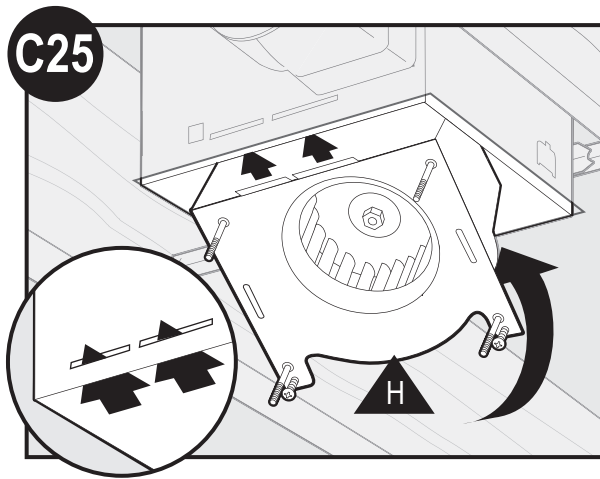
Connecter les fils tel qu'indiqué.



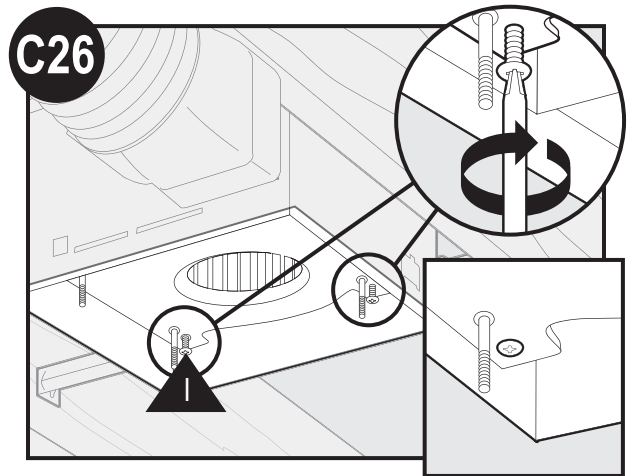
Installer la plaque de couvercle du câblage. Assurez-vous que toutes les connexions de câblage sont dans la boîte ou derrière la plaque de couvercle du câblage.



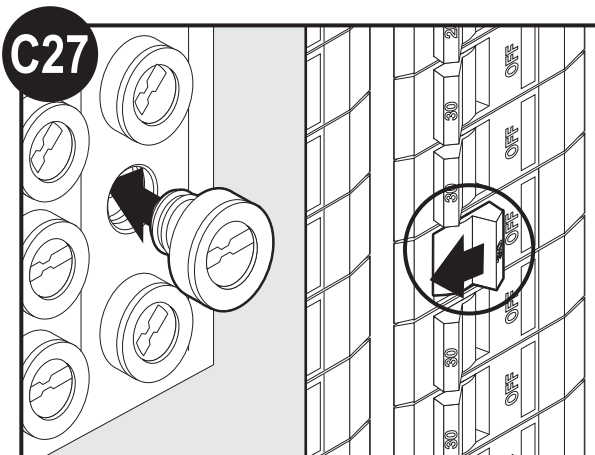
Connecter le câblage. NE LAISSER PAS LE MOTEUR/SOUFLEUR PENDRE PAR LE CÂBLAGE.



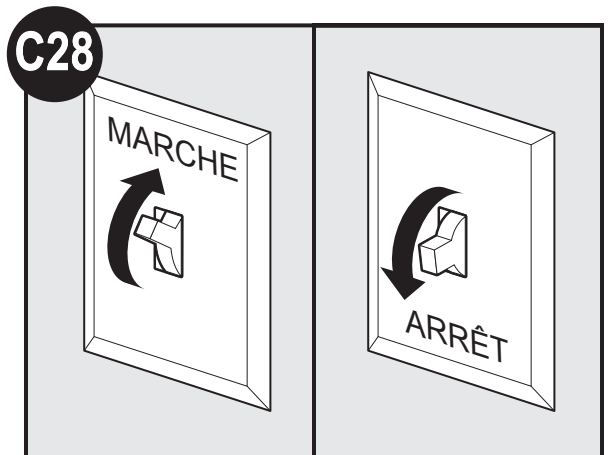
Reposer le moteur/souffleur en insérant les languettes et en le poussant vers le haut en place. Assurez-vous que les fils n'ont pas été pincés entre le moteur/souffleur et le boîtier.



Fixer le moteur/souffleur en serrant les deux vis.



Remettre le courant.



Essayer le moteur/souffleur. Si le moteur/souffleur ne fonctionne pas, vérifier la connexion enfichable.

C29

Aller à l'étape

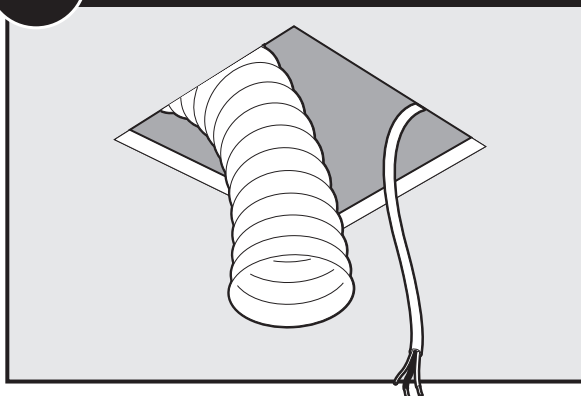
E1

à la page 62
pour fixer la grille.

Construction existante – accessible uniquement du dessous

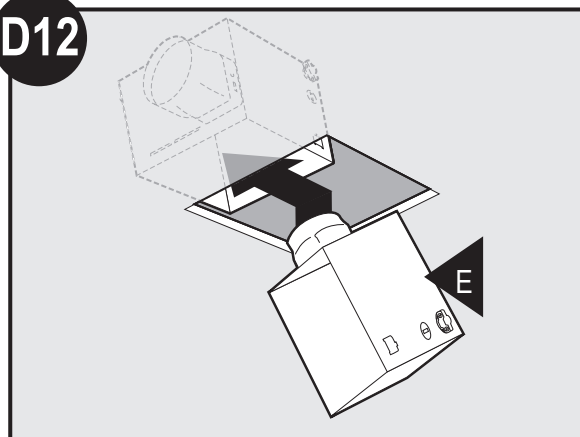
D11

EXISTING FAN



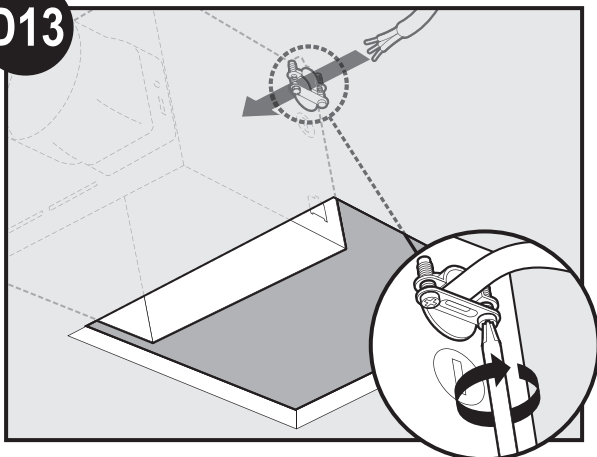
Enlever un ventilateur existant et vérifier que l'ouverture est assez grande pour permettre la pose d'un nouveau boîtier de moteur (203 mm x 216 mm [8 po x 8,5 po]).

D12



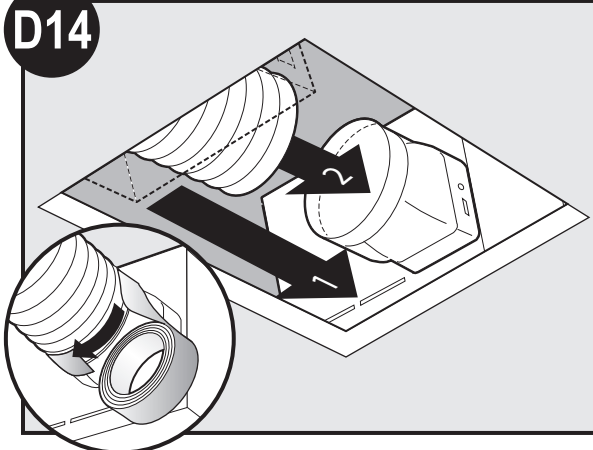
Mettre le boîtier en place au-dessus du plafond.

D13

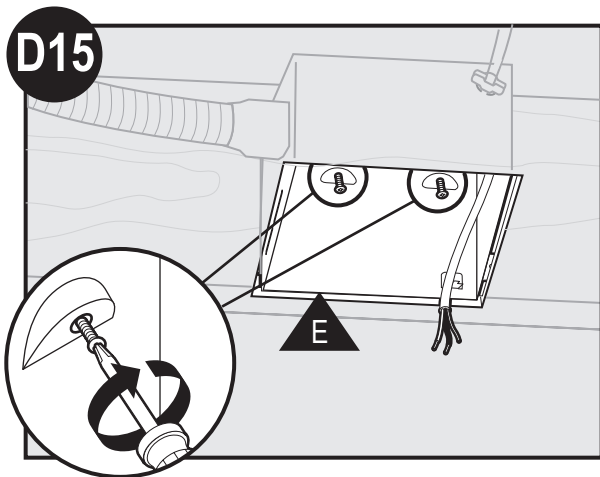


Passer les fils par le raccord.

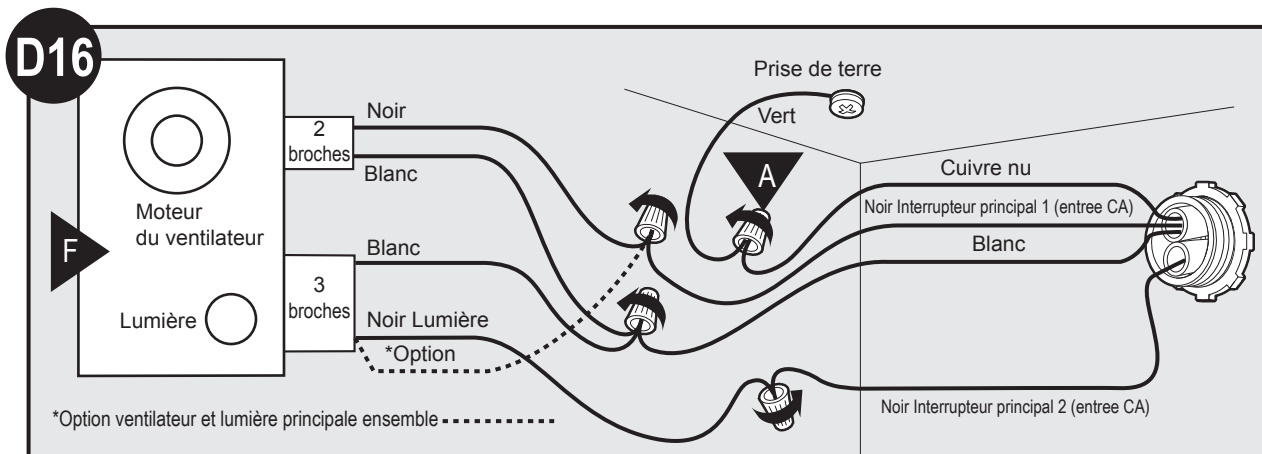
D14



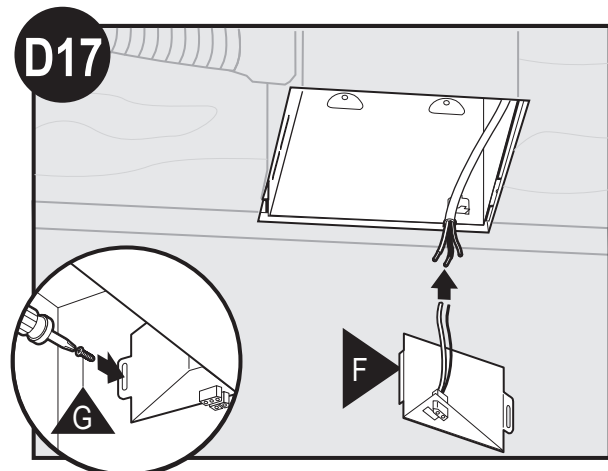
Fixer la gaine existante au connecteur de gaine. Jointer avec du ruban. Si la gaine n'est pas de la bonne dimension, vous pourriez devoir acheter un adaptateur.



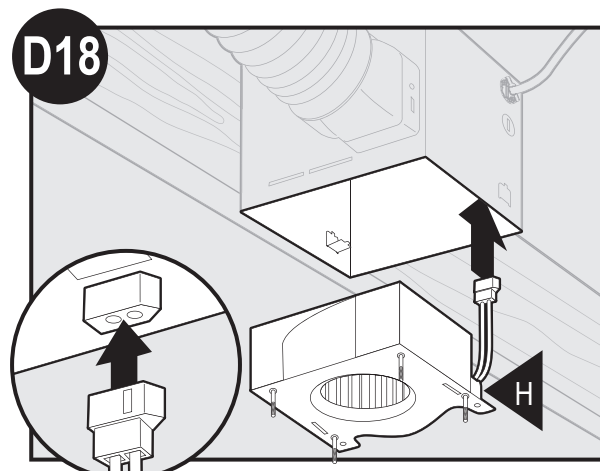
Installer le boîtier affleurant à la plaque de gypse et le fixer en vissant les vis pré-installées dans la solive.



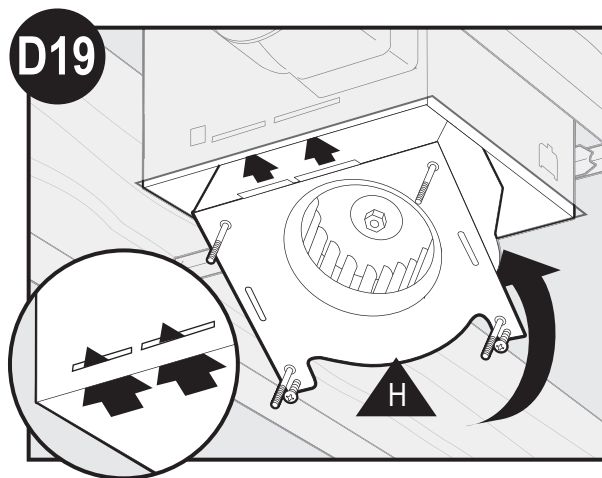
Connecter les fils tel qu'indiqué.



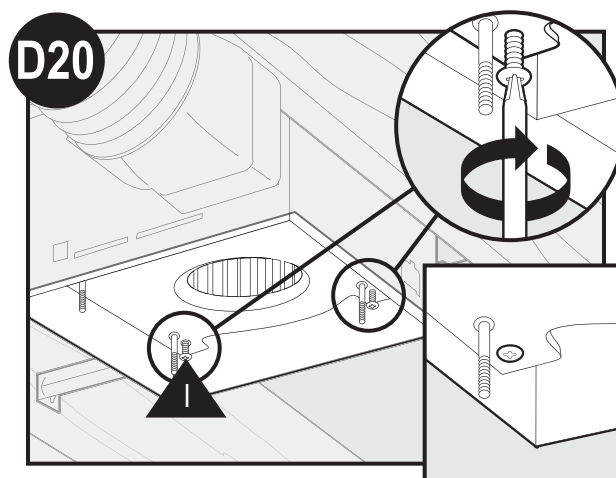
Installer la plaque de couvercle du câblage. Assurez-vous que toutes les connexions de câblage sont dans la boîte ou derrière la plaque de couvercle du câblage.



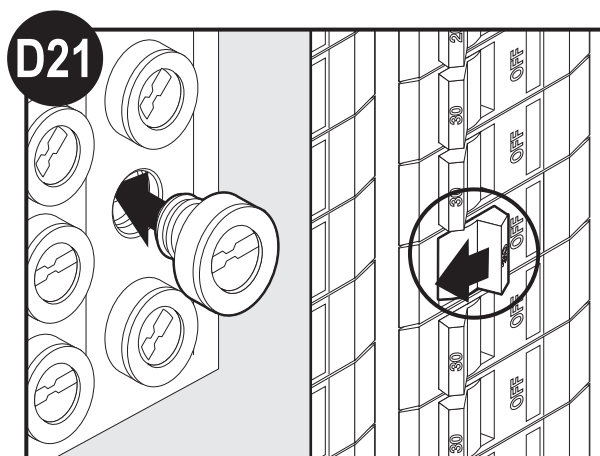
Connecter le câblage. **NE LAISSER PAS LE MOTEUR/ SOUFFLEUR PENDRE PAR LE CÂBLAGE.**



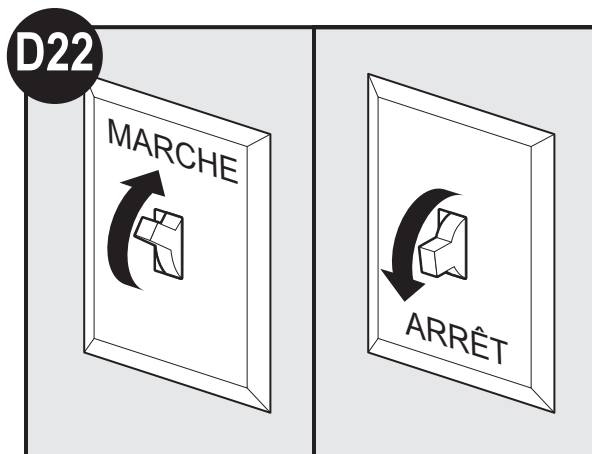
Reposer le moteur/souffleur en insérant les languettes et en le poussant vers le haut en place. Assurez-vous que les fils n'ont pas été pincés entre le moteur/souffleur et le boîtier.



Fixer le moteur/souffleur en serrant les deux vis.



Remettre le courant.



Essayer le moteur/souffleur. Si le moteur/souffleur ne fonctionne pas, vérifier la connexion enfichable.

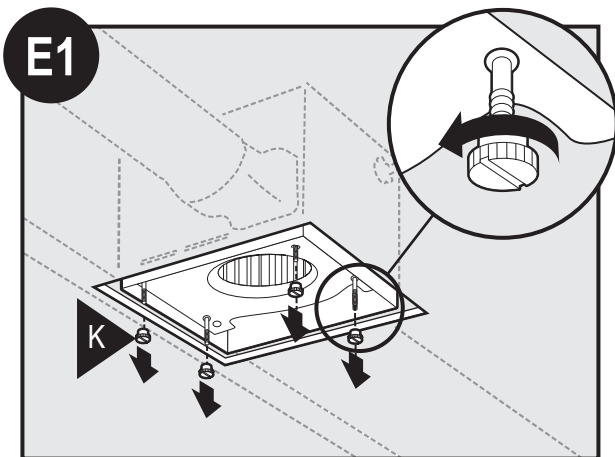
D22

Aller à l'étape

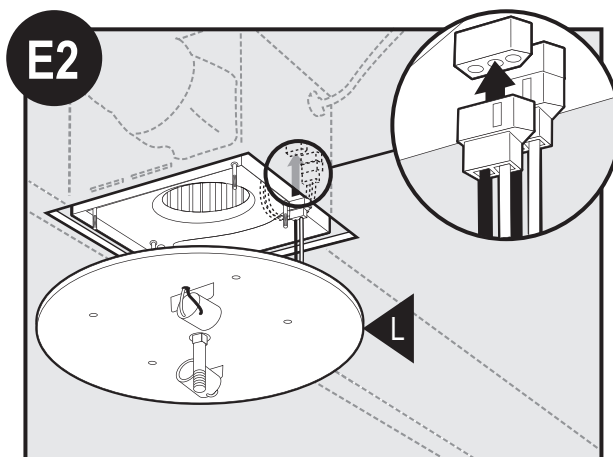
E1

à la page 62
pour fixer la grille.

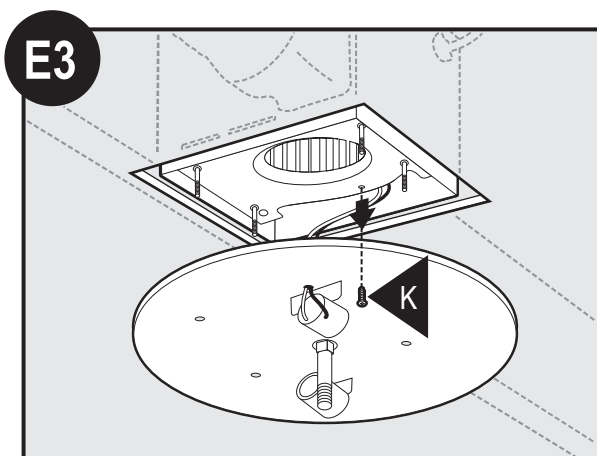
Fixation de la grille



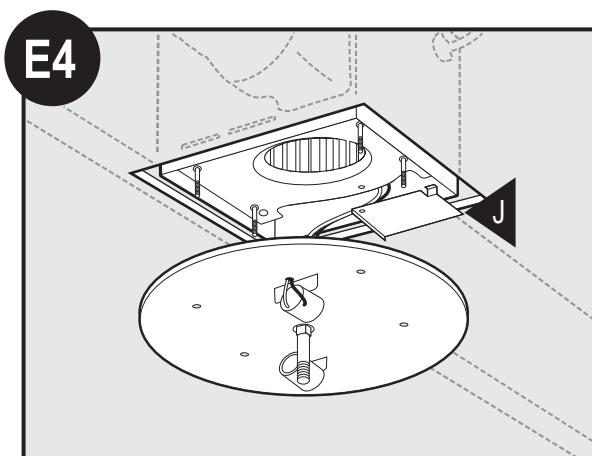
Retirer les vis à serrage à main.



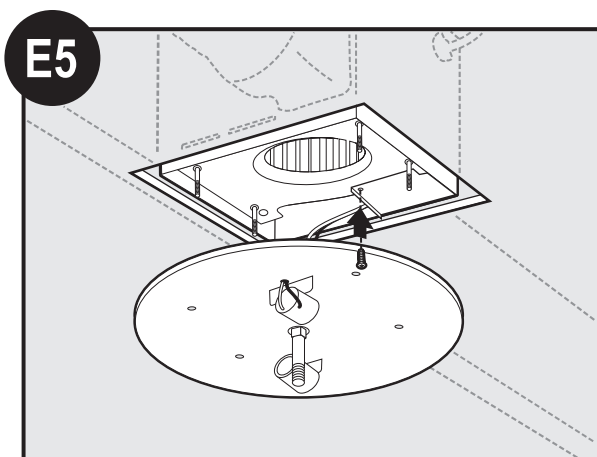
Connecter le câblage. **NE LAISSER PAS LA LUMINAIRE PENDRE PAR LE CÂBLAGE.**



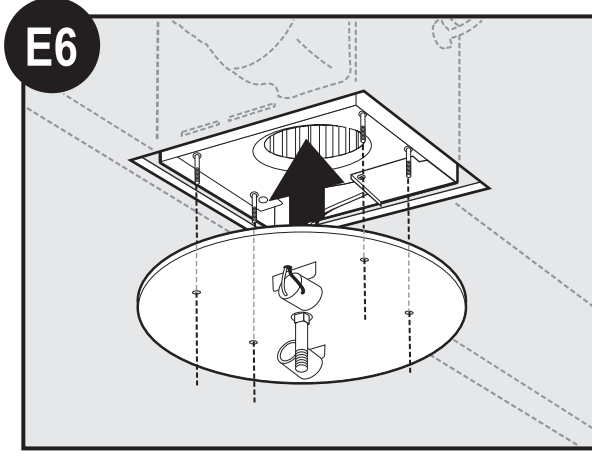
Retirer la vis de l'étrier (2) de décharge de traction.



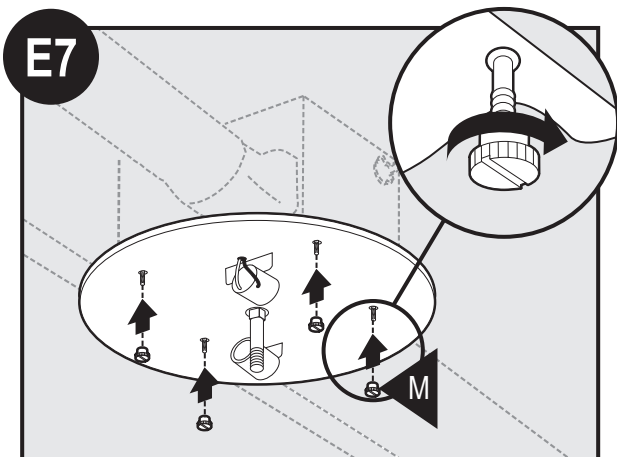
Placer l'étrier de décharge de traction (3) sous le moteur tel qu'illustré.



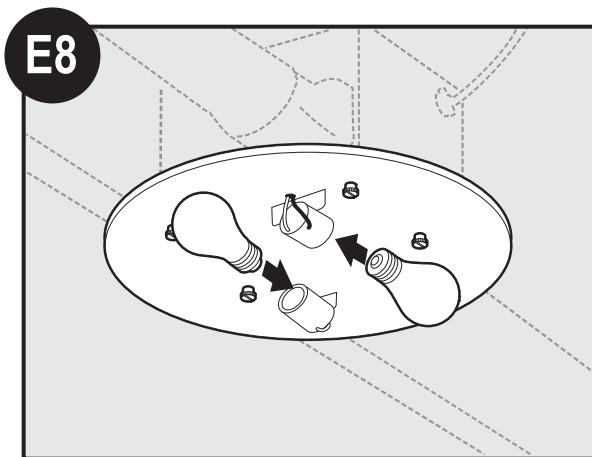
Insérer la languette de décentrage de l'étrier de décharge de traction afin qu'elle s'accroche à la lèvre du moteur. Reposer la vis de l'étrier de décharge de traction.



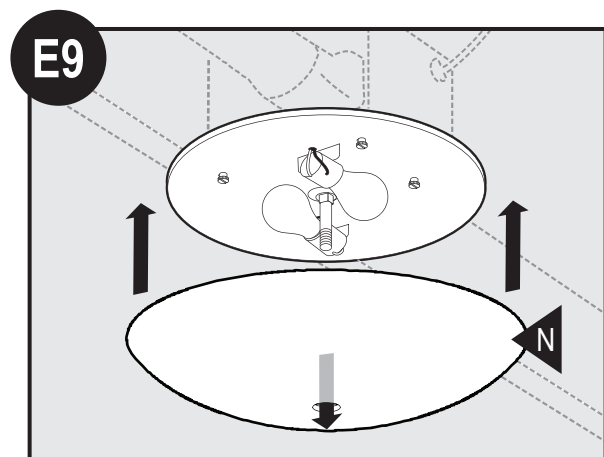
Aligner les tenons A, B, C et D (rivetés au boîtier du moteur/souffleur) avec les trous A, B, C et D de l'embase du luminaire) Faire glisser l'embase du luminaire sur les tenons.



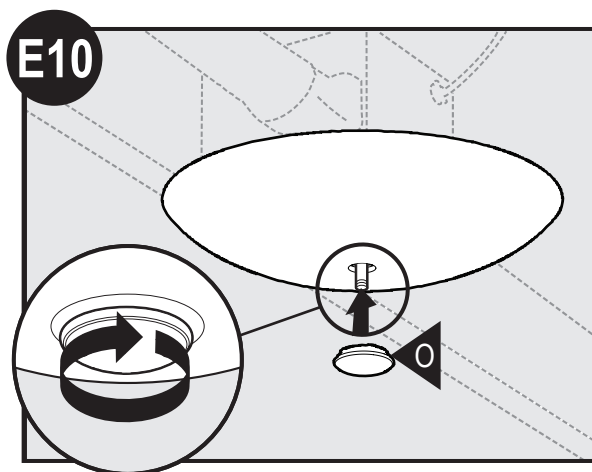
Visser les vis à serrage à main.
MISE EN GARDE : Pour réduire le risque de choc électrique, les quatre vis à serrage à main **DOIVENT** être correctement vissées.



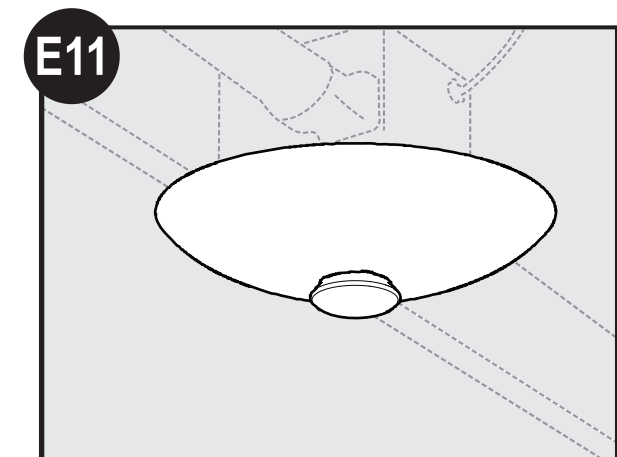
Poser des ampoules A15 de 60 w max. (Non comprises)



Vissez le dôme de dôme en l'place.



Visser la finial en place.



Compléter.

Dépannage

Problème : Le ventilateur ne fonctionne pas.

Solution :

- Les ventilateurs de salle de bain Hunter sont très silencieux. Pour vérifier que le ventilateur fonctionne, placez votre main près des événements pour sentir le mouvement de l'air.
- Remettre le courant, remplacer le fusible ou réarmer le disjoncteur.
- Vérifier toutes les connexions enfichables pour s'assurer qu'elles sont correctes
- Vérifier le câblage pour s'assurer qu'il correspond au diagramme du circuit.

Problème : La lumière ne fonctionne pas.

Solution :

- Remplacer l'ampoule.
- Remettre le courant, remplacer le fusible ou réarmer le disjoncteur.
- Vérifier toutes les connexions enfichables pour s'assurer qu'elles sont correctes.
- Vérifier le câblage pour s'assurer qu'il correspond au diagramme du circuit.

Problème : Le ventilateur est bruyant

Solution :

- Vérifier et resserrer toutes les pièces de fixation.
- Vérifier que le globe est bien fixé.
- Vérifier que le clapet bouge librement.

Si vous avez besoin de pièces ou d'aide, appelez 888-830-1326 ou rendez-nous visite sur notre site Web au <http://www.hunterfan.com>.

Garantie

Hunter Fan Company
Ventilateur de salle de bain
GARANTIE LIMITÉE

La société Hunter Fan Company, Inc. offre la garantie limitée suivante à l'utilisateur initial ou au client acheteur de ce ventilateur de salle de bain:

Si une pièce quelconque de votre ventilateur de salle de bain Hunter (à l'exception des pièces en verre et des ampoules) fait défaut durant l'année suivant la date de l'achat à cause d'un défaut de matériel ou de main-d'œuvre, nous réparerons ou remplacerons, à notre choix, la pièce défectueuse, sans frais de pièces ou de main-d'œuvre à notre plus proche centre de service ou à notre atelier de service de Memphis au Tennessee. Après cette période d'un an, vous serez responsable pour tous les frais de pièces et de main-d'œuvre pour les réparations du ventilateur de salle de bain, à l'exception des réparations au moteur telles qu'offertes ci-dessous.

Si votre moteur de ventilateur de salle de bain tombe en panne durant les cinq ans suivant la date de votre achat à cause d'un défaut de matériel ou de main-d'œuvre, nous vous offrirons sans frais le travail et les matériaux pour réparer ce défaut à notre plus proche centre de service ou à notre atelier de service de Memphis au Tennessee. Si aucune pièce de rechange ne peut être fournie, nous rembourserons le prix d'achat réel de votre ventilateur de salle de bain ou nous vous en fournirons un, sans frais, en remplacement, à notre choix. Après cette période de cinq ans, vous serez responsable pour tous les frais de pièces et de main-d'œuvre pour les réparations du ventilateur de salle de bain.

SI L'USAGER RÉSIDENTIEL INITIAL OU LE CLIENT ACHETEUR CESSE D'ÊTRE PROPRIÉTAIRE DU VENTILATEUR, CETTE GARANTIE ET TOUT AUTRE GARANTIE IMPLICITE QUI RESTENT ENCORE VALIDES, INCLUANT, MAIS SANS Y ÊTRE LIMITÉE, TOUTE GARANTIE IMPLICITE DE QUALITÉ MARCHANDE OU DE COMPATIBILITÉ À UN USAGE PARTICULIER, SONT ANNULÉES. AUCUNE GARANTIE EXPRESSE OU IMPLICITE, INCLUANT TOUTE GARANTIE IMPLICITE DE LA QUALITÉ MARCHANDE OU DE COMPATIBILITÉ À UN USAGE PARTICULIER, N'EST FAITE À L'ÉGARD DES PIÈCES DE VERRE OU DES AMPOULES OU DU FINI DE TOUTE PARTIE MÉTALLIQUE DU VENTILATEUR.

CETTE GARANTIE TIENT LIEU DE TOUT AUTRE GARANTIE EXPRESSE. LA DURÉE DE TOUTE GARANTIE IMPLICITE, INCLUANT, MAIS SANS Y ÊTRE LIMITÉE, UNE QUELCONQUE GARANTIE IMPLICITE DE QUALITÉ MARCHANDE OU DE COMPATIBILITÉ À UN USAGE PARTICULIER, EST EXPRESSÉMENT LIMITÉE À LA PÉRIODE DE LA GARANTIE EXPRESSE ÉNONCÉE PLUS HAUT POUR LES MOTEURS ET AUTRES PIÈCES.

Cette garantie est nulle si votre ventilateur n'a pas été acheté et installé aux É.-U. ou au Canada. Cette garantie exclue et ne couvre pas les défauts, les mauvais fonctionnements et les pannes d'un ventilateur, dus à des réparations par des personnes auxquelles nous n'avons pas donné d'autorisation, à l'utilisation de pièces ou d'accessoires non autorisés, à un mauvais traitement, à des modifications ou des dommages au ventilateur tandis qu'il était en votre possession, ou à un usage déraisonnable, y compris l'incapacité de fournir un entretien raisonnable et nécessaire.

Pour bénéficier du service, prenez contact avec le centre de service autorisé Hunter le plus proche ou avec l'atelier de service de la société Hunter Fan Company, 2500 Frisco Avenue, Memphis, Tennessee 38114. Veuillez communiquer avec nous au 901-248-2222 avant de nous expédier votre ventilateur de salle de bain. Si nous vous autorisons à faire cet envoi, Vous devrez assumer les frais d'assurance et de transport à notre usine ou à notre centre de service. Nous vous retournerons votre ventilateur de salle de bain Hunter en port prépayé. Votre ventilateur de salle de bain devra être emballé avec soin pour éviter tout dommage durant le transport puisque nous ne pourrions être tenus responsables d'un tel dommage. Une preuve d'achat est exigée pour obtenir un service de garantie. L'acheteur devra présenter une facture ou un autre document qui établit la preuve de l'achat.

EN AUCUN CAS, LA SOCIÉTÉ HUNTER FAN COMPANY NE SERA TENUE RESPONSABLE DES DOMMAGES ACCESSOIRES OU INDIRECTS.

CERTAINS ÉTATS (OU PROVINCES) N'AUTORISENT PAS DE RESTRICTIONS SUR LA DURÉE DE LA GARANTIE IMPLICITE OU SUR L'EXCLUSION OU LA RESTRICTION DES DOMMAGES ACCESSOIRES OU INDIRECTS; PAR CONSÉQUENT, LA RESTRICTION OU LES EXCLUSIONS CI-DESSUS POURRAIENT NE PAS S'APPLIQUER À VOUS.

CETTE GARANTIE VOUS DONNE DES DROITS LÉGAUX SPÉCIFIQUES ET VOUS POURRIEZ ÉGALEMENT AVOIR D'AUTRES DROITS QUI PEUVENT VARIER SELON LES ÉTATS ET LES PROVINCES.

