

**For Your Records and
Warranty Assistance**

For reference, also attach your receipt or a copy
of your receipt to the manual.

Model Name

Model No.

Date Purchased

Where Purchased

Type 3 Models

Owner's Guide and Installation Manual

English

Español

Form# 42649-01
20090813
©2009 Hunter Fan Co.

Hunter
SINCE 1886

Welcome

Your new Hunter® ceiling fan is an addition to your home or office that will provide comfort and performance for many years. This installation and operation manual gives you complete instructions for installing and operating your fan.

We are proud of our work. We appreciate the opportunity to supply you with the best ceiling fan available anywhere in the world.

Before installing your fan, for your records and warranty assistance, record information from the carton and Hunter nameplate label (located on the top of the fan motor housing).

Table Of Contents

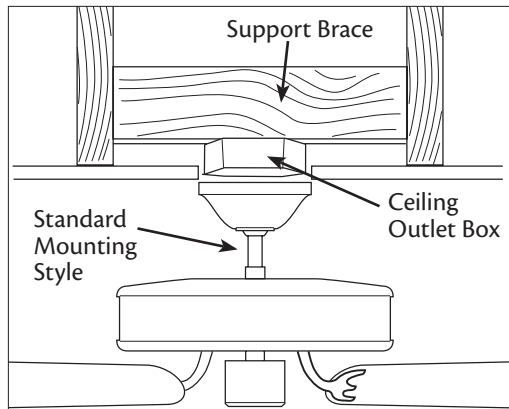
1 • Getting Ready.....	4
2 • Installing the Ceiling Plate.....	5
3 • Setting the Remote Transmitter and Receiver.....	6
4 • Wiring the Fan.....	7
5 • Installing the Canopy and Canopy Trim Ring.....	9
6 • Assembling the Blades.....	10
7 • Completing Your Installation With a Bowl Light Fixture.....	11
8 • Operating the Remote Control and Mounting the Holder.....	12
9 • Operating and Cleaning Your Ceiling Fan.....	13
10 • Troubleshooting.....	15

Cautions and Warnings

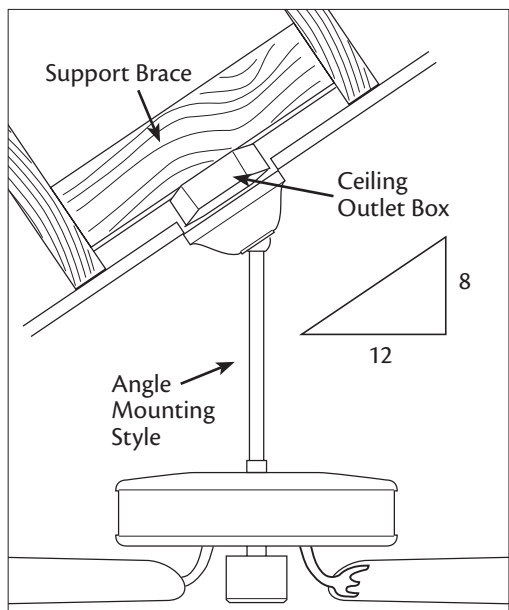
- **READ THIS ENTIRE MANUAL CAREFULLY BEFORE BEGINNING INSTALLATION. SAVE THESE INSTRUCTIONS.**

- Use only Hunter replacement parts.
- To reduce the risk of personal injury, attach the fan directly to the support structure of the building according to these instructions, and use only the hardware supplied.
- To avoid possible electrical shock, before installing your fan, disconnect the power by turning off the circuit breakers to the outlet box and associated wall switch location. If you cannot lock the circuit breakers in the off position, securely fasten a prominent warning device, such as a tag, to the service panel.
- All wiring must be in accordance with national and local electrical codes and ANSI/NFPA 70. If you are unfamiliar with wiring, use a qualified electrician.
- To reduce the risk of personal injury, do not bend the blade attachment system when installing, balancing, or cleaning the fan. Never insert foreign objects between rotating fan blades.
- To reduce the risk of fire, electrical shock, or motor damage, do not use a solid-state speed control with this fan. Use only Hunter speed controls.

Installer's Choice and Optional Accessories



Standard Mounting hangs from the ceiling by a downrod (included).



Angled Mounting recommended for a vaulted or angled ceiling

Understanding Mounting and Installer's Choice®

Hunter's patented 2-position mounting system provides you maximum installation flexibility and ease. You can install your Hunter fan in one of two ways, depending on ceiling height and your preference: Standard or Angled mounting. The steps in this manual include instructions for both Installer's Choice mounting methods.

Considering Optional Accessories

Consider using Hunter's optional accessories, including a wall-mounted or remote speed control. To install and use the accessories, follow the instructions included with each product. For quiet and optimum performance of your Hunter fan, use only Hunter speed controls.

For ceilings higher than 8 feet, you can purchase Hunter extension downrods. All Hunter fans use sturdy 3/4" diameter pipe to assure stability and wobble-free performance.

⚠ CAUTION: To reduce the risk of personal injury, attach the fan directly to the support structure of the building according to these instructions, and use only the hardware supplied.

1 • Getting Ready

To install a ceiling fan, be sure you can do the following:

- Locate the ceiling joist or other suitable support in ceiling.
- Drill holes for and install wood screws.
- Identify and connect electrical wires.
- Lift 40 pounds.

If you need help installing the fan, your Hunter fan dealer can direct you to a licensed installer or electrician.

Gathering the Tools

You will need the following tools for installing the fan:

- Electric drill with 9/64" bit
- Standard screwdriver (magnetic tip recommended)
- Phillips-head screwdriver (magnetic tip recommended)
- Wrench or pliers
- Ladder (height dependent upon installation site)

Checking Your Fan Parts

Carefully unpack your fan to avoid damage to the fan parts. Refer to the included Parts Guide. Check for any shipping damage to the motor or fan blades. If any parts are missing or damaged, contact your Hunter dealer or call Hunter Technical Support Department at 888-830-1326 (In Canada, call 1-866-268-1936).

Preparing the Fan Site

Before you begin installing the fan, follow all the instructions in the pullout sheet called "Preparing the Fan Site." Proper ceiling fan location and attachment to the building structure are essential for safety, reliable operation, maximum efficiency, and energy savings.

Installing Multiple Fans?

If you are installing more than one fan, keep the fan blades and blade irons (if applicable) in sets, as they were shipped.

2 • Installing the Ceiling Plate

⚠ CAUTION: To avoid possible electrical shock, before installing your fan, disconnect the power by turning off the circuit breakers to the outlet box and associated wall switch location. If you cannot lock the circuit breakers in the off position, securely fasten a prominent warning device, such as a tag, to the service panel.

2-1. Drill two pilot holes into the wood support structure through the outermost holes in the outlet box. The pilot holes should be $9/64$ " in diameter.

For Angled Ceilings: Be sure to orient the ceiling plate so that the two tabs are pointing toward the ceiling peak.

2-2. Separate the ceiling plate from the remote control receiver.

2-3. Your fan comes with four preinstalled noise isolators. Check to make sure all four isolators are in place and were not removed during shipment.

2-4. Place a flat washer on each of the two 3" wood screws.

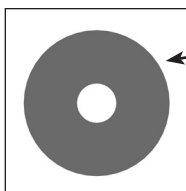
2-5. Thread the supply wires from the outlet box in the ceiling through the hole in the center of the ceiling plate.

2-6. Align the slotted holes in the ceiling plate with the pilot holes you drilled in the wood support structure. For proper alignment use slotted holes directly across from each other.

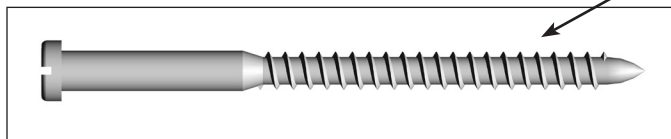
Note: The isolators should be flush against the ceiling.

2-7. Pass the screws through the slotted holes in the ceiling plate into the pilot holes you drilled.

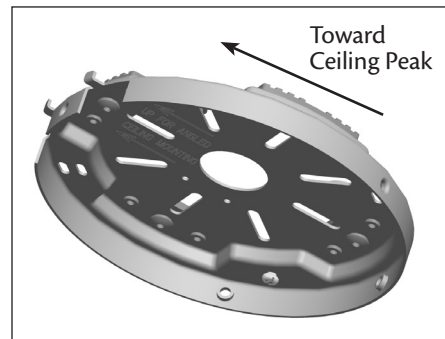
Tighten the screws into the $9/64$ " pilot holes; do not use lubricants on the screws. Do not over tighten.



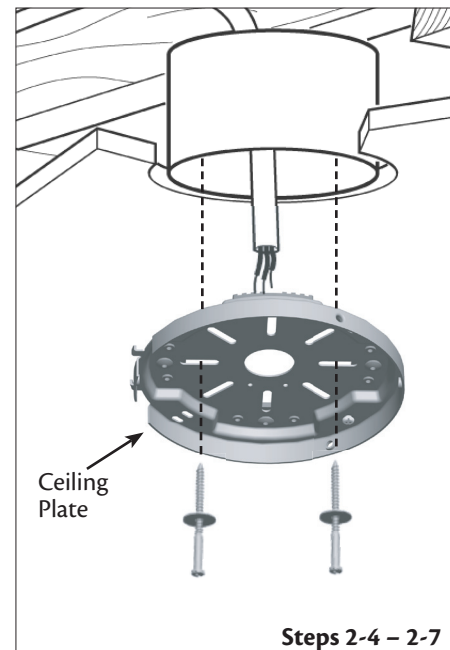
Flat Washer



3" Wood Screw



For Angled Ceilings: Be sure to orient the ceiling plate so that the two tabs are pointing toward the ceiling peak.

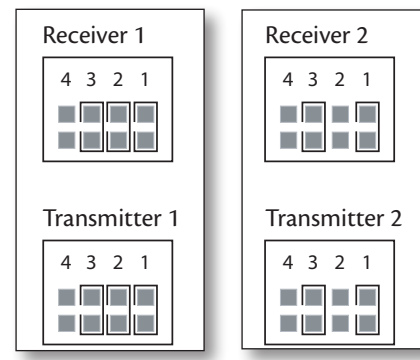


3 • Setting the Remote Transmitter and Receiver

You must now set the jumpers in the remote transmitter and receiver so that they match.

- 3-1. Change the position of the jumpers in the transmitter and the receiver. Be sure the position of the jumper in the transmitter matches the position of the jumper in the receiver. If they don't match, the controller will not function. For instructions on how to set the jumpers, read the box below.
- 3-2. Clean the battery contacts and also those of the device prior to battery installation.
- 3-3. Ensure the battery is installed correctly with regard to polarity (+ and -).

Example Jumpers Settings



Setting Jumpers

When two or more fans are located near each other, you may desire to have the receiver/transmitter for each fan set to a different code, so that the operation of one fan does not affect the operation of the other fans.

In the transmitter you can access the jumpers from the battery compartment. The jumpers are very small. You can move them most easily using a small pair of pliers or tweezers. **IMPORTANT!** Before you change a jumper, make sure the battery is not connected to the transmitter.

CAUTION: The remote control device complies with part 15 of the FCC rules. Changes or modifications not expressly approved by Hunter Fan Company could void your authority to operate this equipment.

Operation is subject to the following two conditions:

1. This device may not cause harmful interference.
2. This device must accept any interference received, including interference that may cause undesired operation.

Note: Use with a fan that incorporates an air gap switch (normal on-off wall switch).

WARNING: Maximum fan load is 1 Amp; maximum lamp is 19 Watts. Do not use any speed control with this product.

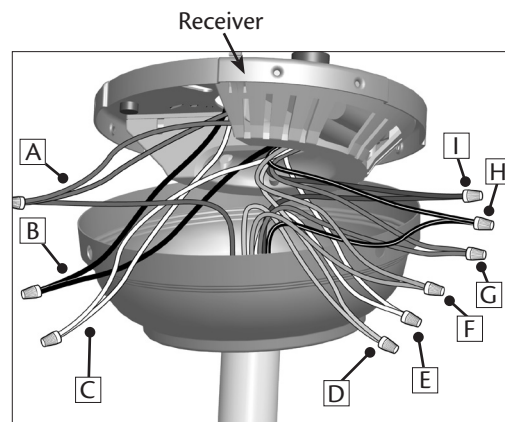
4 • Wiring the Fan

All wiring must be in accordance with national and local electrical codes and ANSI/NFPA 70. If you are unfamiliar with wiring, use a qualified electrician.

Wall switches are not included. Select an acceptable general-use switch in accordance with national and local electrical codes.

- 4-1. Before attempting installation, make sure the power is still off.
- 4-2. Place the receiver inside the canopy, making sure that the dipswitches and the oval shaped holes in the bottom of the receiver are facing down toward the bottom of the canopy.
- 4-3. Spread the receiver lead wires to each side and feed the wires from the top of the fan through the open slot in the receiver.
- 4-4. Place the receiver in the canopy. Make sure the slot in the receiver is aligned with the hook in the ceiling plate.
- 4-5. To connect the wires, hold the bare metal leads together and place a wire connector over them, then twist clockwise until tight. Using the small wire connectors, connect the fan to the receiver as follows:

- Connect the yellow wire (ungrounded) from the fan to the yellow wire (ungrounded) from the receiver.
- Connect the white wire (ungrounded) from the fan to the white wire (ungrounded) from the receiver (marked on white tag "LIGHT NEUTRAL OUT").
- Connect the pink wire (ungrounded) from the fan to the pink wire (ungrounded) from the receiver.
- Connect the grey wire (ungrounded) from the fan to the grey wire (ungrounded) from the receiver.
- Connect the black/white wire (ungrounded) from the fan to the black/white wire (ungrounded) from the receiver (marked on white tag "LIGHT LIVE OUT").
- Connect the red wire (ungrounded) from the fan to the red wire (ungrounded) from the receiver.



Step 4-7

A • Ground/Green

Step 4-6

B • Receiver Black: "AC LIVE IN"

• Ceiling Black

C • Receiver White: "AC NEUTRAL IN"

• Ceiling White

Step 4-5

D • Fan Yellow

• Receiver Yellow

E • Fan White

• Receiver White: "LIGHT NEUTRAL OUT"

F • Fan Pink

• Receiver Pink

G • Fan Grey

• Receiver Grey

H • Fan Black/White

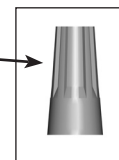
• Receiver Black/White: "LIGHT LIVE OUT"

I • Fan Red

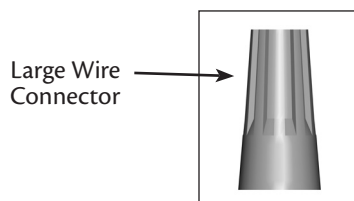
• Receiver Red

Steps 4-5 – 4-7

Small Wire
connector



4 • Wiring the Fan (continued)



4-6. Using the large wire connectors, connect the fan and receiver to the power wires as follows:

- Connect the black wire (ungrounded) from the receiver (marked on white tag “AC LIVE IN”) to the black wire (ungrounded) from the ceiling.
- Connect the white wire (ungrounded) from the receiver (marked on white tag “AC NEUTRAL IN”) to the white wire (ungrounded) from the ceiling.

⚠ CAUTION: Be sure no bare wire or wire strands are visible after making connections.

4-7. Connect the green ground wires (grounded) from the ceiling plate and the downrod to the ground wire from the ceiling.

4-8. Run the thin white antenna wire from the receiver through one of the slots in the ceiling plate. (For best reception, make sure the end of the antenna is exposed at the top of the canopy.)

4-9. Turn the splices upward and push them carefully back through the ceiling plate into the outlet box.

4-10. Spread the wires apart, with the grounded wires on one side of the outlet box and the ungrounded wires on the other side of the outlet box.

5 • Installing the Canopy and Canopy Trim Ring

▲ WARNING: Failure to complete the following steps could cause the fan to fall.

Note: It is recommended you use a magnetic tip screwdriver for the following steps.

5-1. Rotate the hanger ball so the tab in the canopy is secure in the hanger ball groove. **Note:** Your fan may have multiple tabs and grooves that must be aligned.

5-2. Swing the fan up to align the canopy screw holes with the mounting holes on the ceiling plate.

▲ WARNING: The slots in the canopy must remain engaged while swinging the canopy for alignment.

5-3. Holding the canopy up with the screw holes aligned, partially install two canopy screws into the holes opposite the ceiling plate tabs.

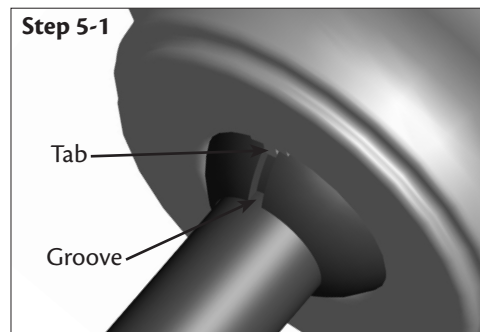
5-4. Partially install a canopy screw between the slots in the canopy. When all the holes are properly aligned, securely tighten all three canopy screws.

5-5. Verify that the tabs in the canopy are still in the grooves of the hanger ball.

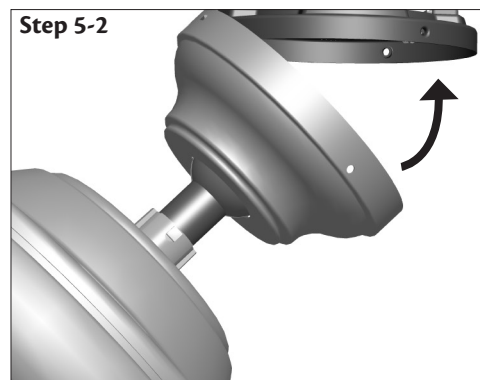
5-6. Align the tabs on the trim ring opposite the grooves in the hanger ball. Using both hands, push the canopy trim ring up to the top of the canopy. The canopy trim ring will snap and lock into place.

Note: Should you need to remove the trim ring, press firmly on opposite sides of the trim ring directly above the groove in the hanger ball. The tabs will flex out releasing the canopy trim ring.

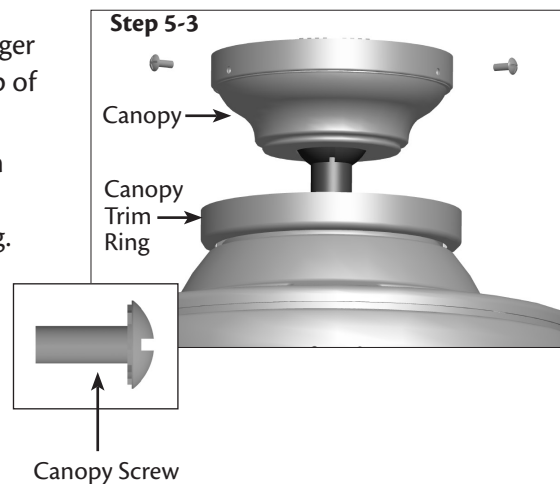
Step 5-1



Step 5-2

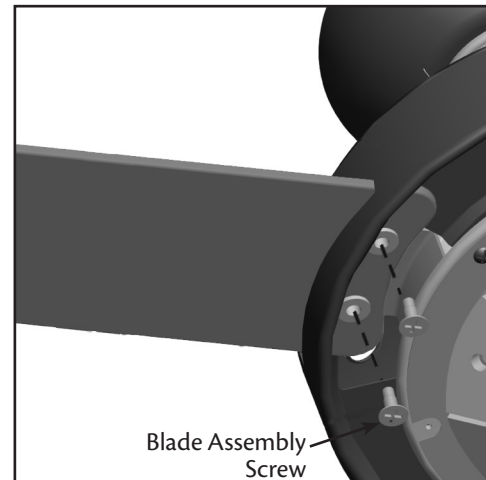
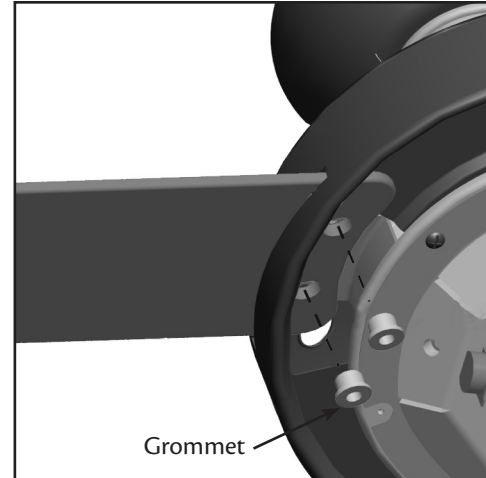


Step 5-3



6 • Assembling the Blades

- 6-1. Insert blade through housing before installing grommets in each blade.
- 6-2. Attach each blade to the fan using two blade assembly screws.

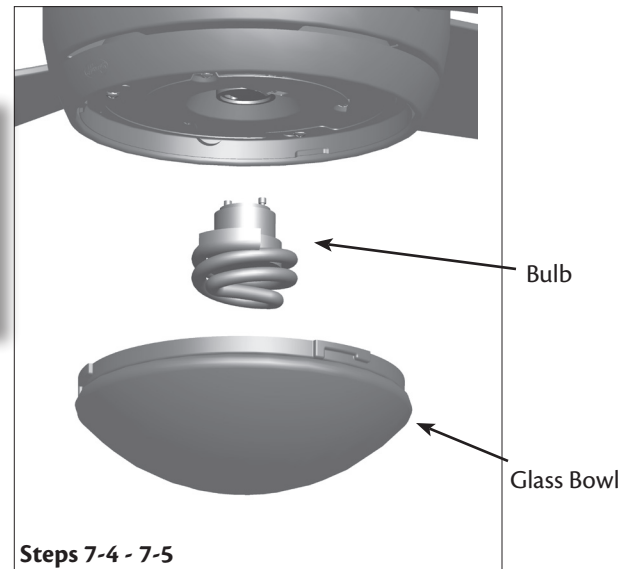
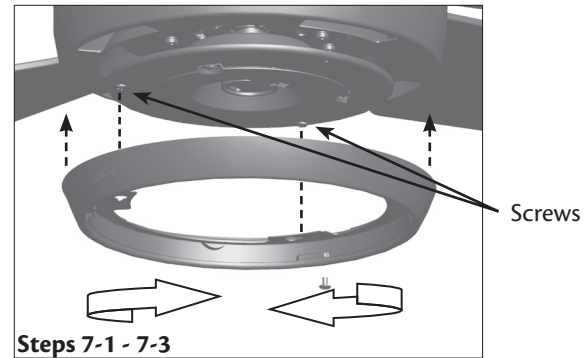


7 • Completing Your Installation With a Bowl Light Fixture

Installing the Glass Bowl

- 7-1. Partially install two screws in the upper light kit.
- 7-2. Align the keyholes in the upper light kit ring with the partially installed screws and rotate to situate the screws in the narrow ends of the keyholes.
- 7-3. Install the remaining screw into the upper light kit ring and securely tighten all three screws.
- 7-4. Install included 18W CFL bulb.
- 7-5. Align the tabs in the globe assembly with the tabs in the light kit ring, then lift the globe assembly and rotate to engage the tabs. Make sure all tabs are properly engaged before releasing the globe.

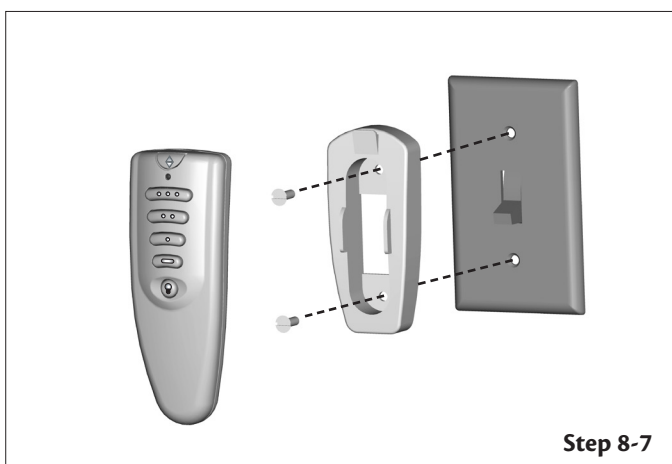
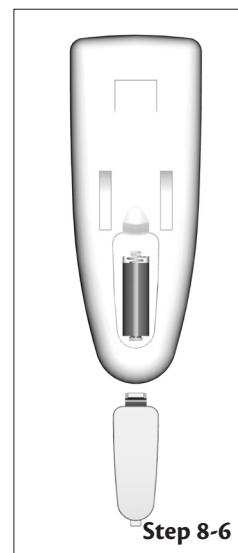
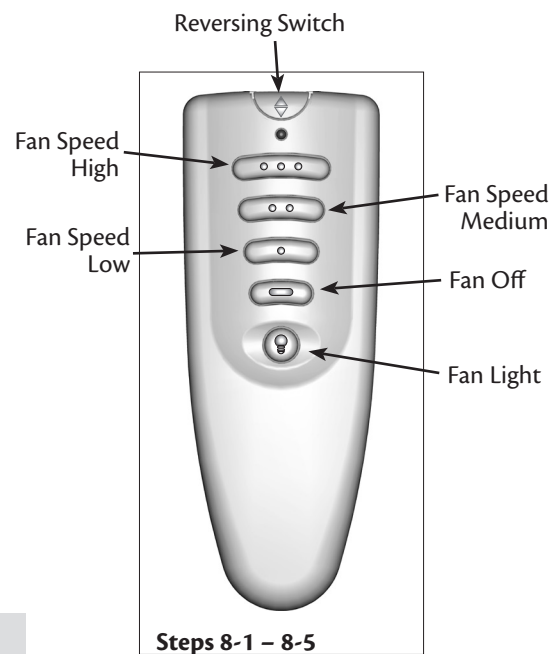
Note: In compliance with US federal energy regulations, this ceiling fan contains a device that restricts the light kit to a maximum of 190 Watts. Exceeding that limit or the marked limit on this product may result in fire hazard or improper operation.



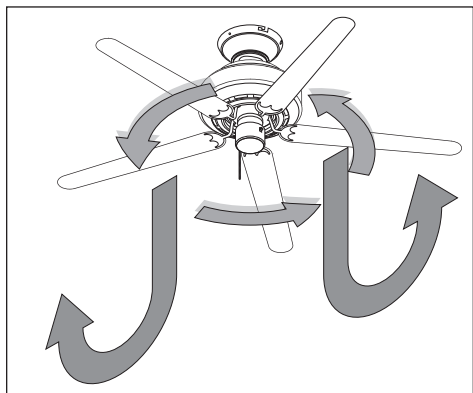
8 • Operating the Remote Control and Mounting the Holder

- 8-1. The remote transmitter has individual buttons for turning the fan off and on and controlling the light and fan speed.
- 8-2. For best operation, start the fan by pressing high, then select your desired speed.
- 8-3. The light button turns the light on to full brightness. Push the light button again to turn off the light.
- 8-4. The reversing switch reverses the direction of the fan.
- 8-5. Press the OFF button to turn the fan off.
- 8-6. This product includes one 12- volt type 23A, MN-21 battery for use with the remote control transmitter. Please contact your local battery recycling center for proper battery disposal information.
- 8-7. You can mount the remote holder to any toggle switch plate with the screws already in the switch plate. Or, you can simply mount the remote holder on the wall.

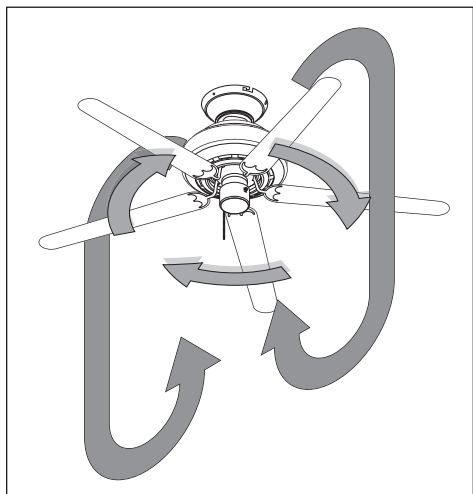
▲ Attention! Remove the battery from the remote control transmitter if the product is to remain unused for an extended period of time. To remove the battery, remove the back cover of the remote control transmitter. Remove used batteries promptly.



9 • Operating and Cleaning Your Ceiling Fan



In warm weather, use downward air flow pattern



In cold weather, use upward air flow pattern

- 9-1. Restore power at the main electrical panel and turn on the wall switch. The light kit should turn ON.

Note: To turn on the light without the remote, turn off the wall switch for 5 seconds, then back on. The light kit will turn on at maximum brightness.

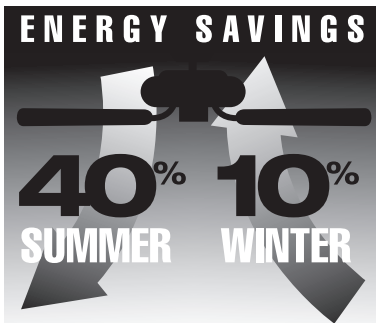
- 9-2. Press the remote control's HIGH speed button. The fan should start and reach its maximum speed.

Note: For everyday operation, leave the wall switch ON. If the remote control will not be used for 5 days or more, turn the wall switch OFF.

- 9-3. Ceiling fans work best by blowing air downward (counterclockwise blade rotation) in warm weather to cool the room with a direct breeze. In cold weather, having the fan draw air upward (clockwise blade rotation) will distribute the warmer air trapped at the ceiling around the room without causing a draft.

- 9-4. For cleaning finishes, use a soft brush or lint-free cloth to prevent scratching. A vacuum cleaner brush nozzle can remove heavier dust. Remove surface smudges or accumulated dirt and dust using a mild detergent and a slightly dampened cloth. You may use an artistic agent, but never abrasive cleaning agents as they will damage the finish.

- 9-5. Clean wood finish blades with a furniture polishing cloth. Occasionally, apply a light coat of furniture polish for added protection and beauty. Clean painted and high-gloss blades in the same manner as the fan finish.



Hunter fans have the power to cut your cooling costs up to 40%.

Beat the High Cost of Cooling

The air movement created by a Hunter ceiling fan lets you set your thermostat higher and still stay comfortable. Every degree you raise the thermostat saves up to 7% on energy costs. So, you can cut back on expensive air conditioning...and save up to 40%* on cooling. In winter, your Hunter fan recirculates warm air and saves up to 10%* on heating bills.

* On average at low speed settings. Your savings may vary based on climate, building type and thermostat setting.

Save Energy and Money While Protecting the Environment

Congratulations! You're saving energy and money while protecting the environment by purchasing this ENERGY STAR qualified Hunter ceiling fan! With this purchase, you are doing your part to protect the environment. In 2010, ENERGY STAR qualified ceiling fans are projected to cut air pollution by more than 500 million pounds!

Your new ceiling fan has earned the ENERGY STAR label because it meets high energy efficiency specifications set by the Environmental Protection Agency (EPA). ENERGY STAR labeled ceiling fans save energy because they have more efficient fan motors and air delivery due to more aerodynamic blade configurations. Ceiling fan models bearing the ENERGY STAR label move air 14 - 20% more efficiently than typical ceiling fan models. For more information on ENERGY STAR visit www.energystar.gov.

10 • Troubleshooting

Problem: Nothing happens; fan does not move.

1. Turn power on, replace fuse, or reset breaker.
2. Loosen canopy, check all connections according to the wiring the fan section.
3. Check the plug connection in the switch housing.
4. Push motor reversing switch firmly left or right to ensure that the switch is engaged.
5. Pull the pull chain to ensure it is on.
6. Remove the shipping bumpers.

Problem: Noisy operation.

1. Tighten the blade assembly screws and blade iron armature screws until snug.
2. Check to see if the blade is cracked. If so, replace all the blades.

Problem: Excessive wobbling.

1. If your fan wobbles when operating, use the enclosed balancing kit and instructions to balance the fan.
2. Tighten all blade iron screws.
3. Turn power off, support fan very carefully, and check that the hanger ball is properly seated.

Problem: Lights dim when turned on or do not turn on

1. Check to make sure wattage of light bulbs installed match the specifications on the light socket.

Problem: If the light on this fan shuts off suddenly.

1. Turn the power to the fan off at the wall switch. Wait 30 seconds, then resume power to the fan.

If you need parts or service assistance, please call 888-830-1326 (In Canada, call 1-866-268-1936) or visit us at our Web site at <http://www.hunterfan.com>.

Hunter Fan Company
7130 Goodlett Farms Pkwy.
Memphis, Tennessee 38016