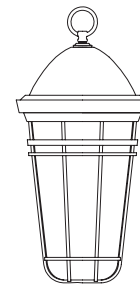
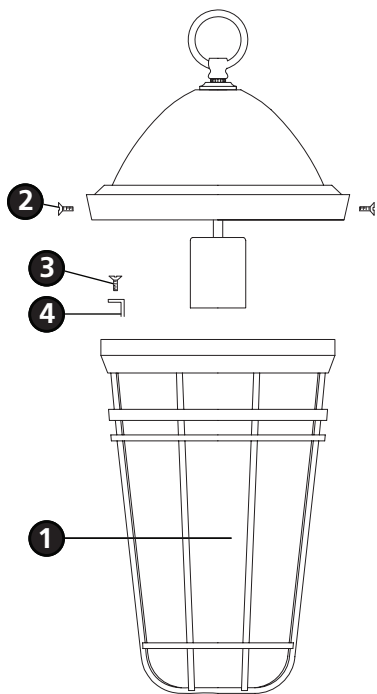


Family: Buckley | Item No. 1372 BK/OB



## Drawing 1 - Glass Replacement



## ▼ start here

1

1. Find a clear area in which you can work.
2. Unpack fixture and glass from carton.
3. Carefully review instructions prior to assembly.

**\*\*\* The construction of this fixture will be accomplished by first making all necessary electrical connections, hanging the fixture from the ceiling, unpacking the fixture glass and then lamping fixture.**

**SAFETY WARNING: READ WIRING AND GROUNDING INSTRUCTIONS (I.S. 18) AND ANY ADDITIONAL DIRECTIONS. TURN POWER SUPPLY OFF DURING INSTALLATION. IF NEW WIRING IS REQUIRED, CONSULT A QUALIFIED ELECTRICIAN OR LOCAL AUTHORITIES FOR CODE REQUIREMENTS.**

Make electrical connections from supply wire to fixture lead wires. Refer to instruction sheet (I.S. 18) and follow all instructions to make all necessary wiring connections. Then refer to the hanging instruction sheet (I.S.) provided to complete installation of this fixture.

2

- Unpacking fixture: In order to make sure the glass does not break during shipping, additional packing material has been supplied between the glass and the cage. It will be necessary to remove the glass clips (4) and glass, in order to remove this packing material.
  1. To unpack glass and lamp fixture or to replace glass, remove the Phillips head screw (2) from the side of the fixture, making sure to hold cage assembly (1) - see **Drawing 3**.
  2. Set cage assembly (1) aside and remove screw (3) and glass clip (4) from cage assembly (1).
  3. Remove glass followed by packing material inside of cage and then replace glass into cage assembly (1).
  4. Fixture can now be lamped accordingly.
  5. To reassemble fixture follow steps 1-2 in reverse order.

Note: Maximum wattage for 1372 fixture is 100 watts per bulb.

12.10.08