

# Assembly Instructions

4316

Series: Casa

Product No. 4316 OL



design • illuminate • enjoy

## Start Here

First find a clear area in which to work and read through all the instructions provided with this fixture, prior to starting assembly.

Step 1. Take the knock down socket cluster assembly (1) and proceed to thread the lead wires and copper ground (B) through center pipe (C) and top loop (D). After, thread socket cluster assembly (1) to center pipe (C) being very careful not to cut the lead wires (B) As shown in (Diagram 1).

Step 2. Take the cluster socket assembly(1) and the 3 uprights with center twist and threaded stud (A) Proceed to slip the threaded stud through the hole in the top schroll (3) and thread on the ball knob (4) provided with the fixture to secure in place as shown in (Diagram 2) . Repeat this step 2 more times.

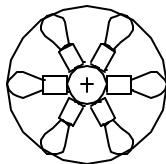
Step 3. Now proceed to slip the glass retainer ring with schrolls and through holes (5) onto the 3 uprights with center twist and threaded stud (A) and thread on the ball knobs (B) provided with the fixture to secure in place as shown in (Diagram 3). Repeat this step 3 more times.

### Glass Installation

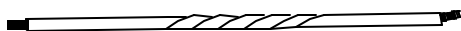
Step 1. (This step should be completed after the fixture is wired and attached to the junction box as set forth in the mounting instruction sheet). After the above steps are completed, proceed to carefully place glass (5) into the glass retainer ring with schrolls (4)

### Parts List

1. Cluster Socket Assembly (Part 1).



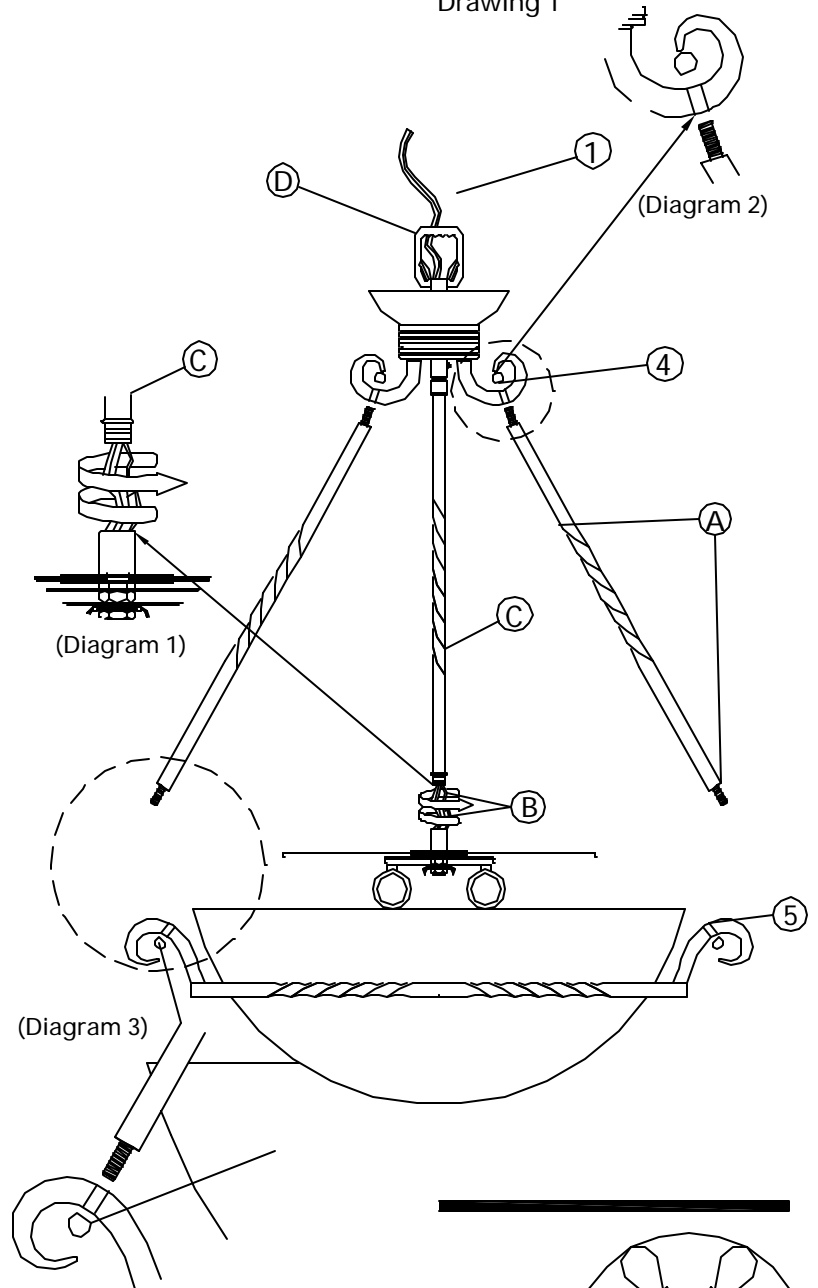
2. Upright with twisted center (Part 3).



3. Ball Knob. (Part 4).



Drawing 1



CAUTION: RISK OF FIRE.  
USE ONLY 75 WATT  
MAX MED BASE LAMPS  
TYPE A

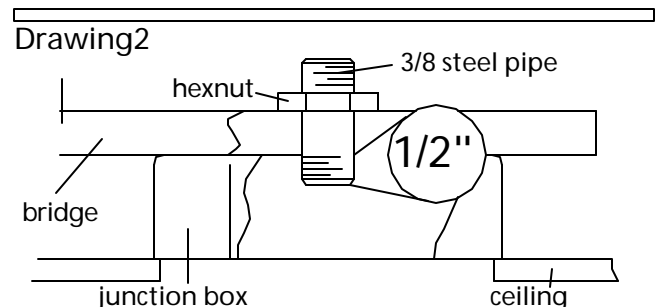
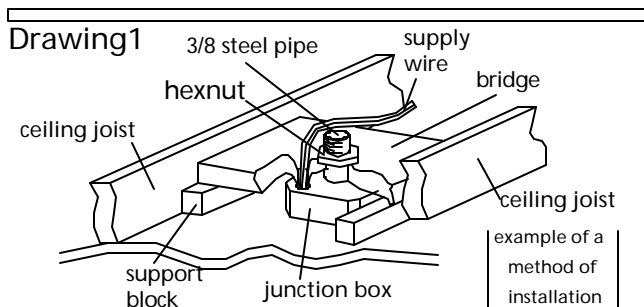
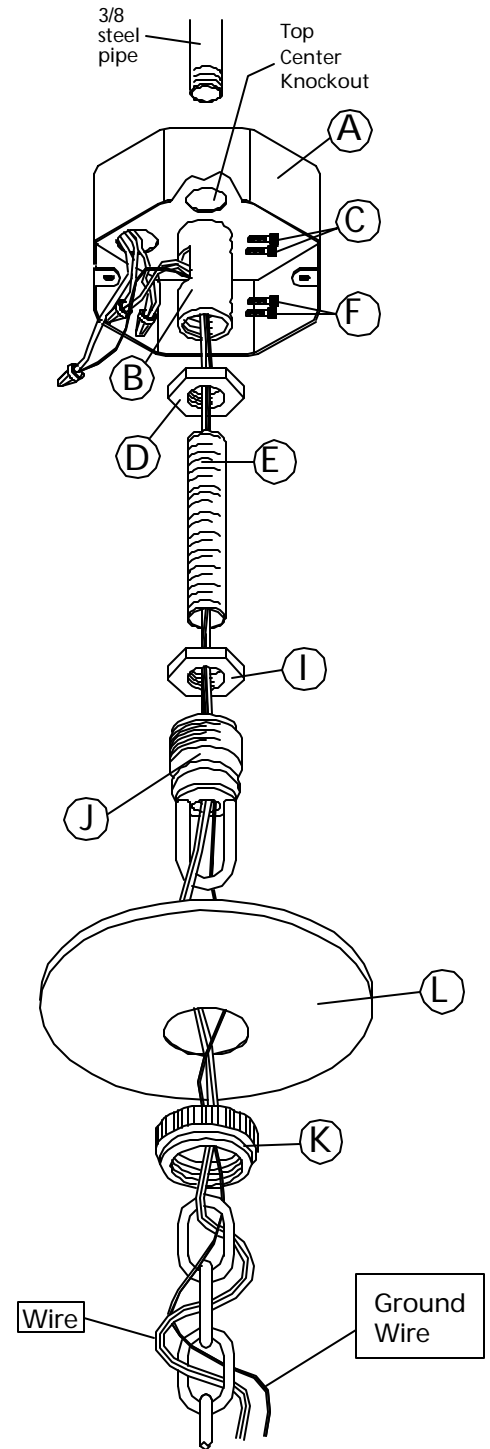
# Mounting Instructions for 4316 OL

Note: Fixtures weighing over 50 lbs. must be supported independently of the outlet box.

- 1) NOTE: Before starting make sure power supply is OFF to the outlet box you are mounting the fixture to.
- 2) Supply wires shall enter the outlet box (A) through any knockout except the top center knockout.
- 3) Fixture is to be mounted by a  $\frac{3}{8}$  steel pipe, with 3/8-18 NPSM thread,  $\frac{3}{4}$ " in length on both ends (not supplied). Pipe should be anchored to structure or bridging member with sufficient strength to support 4 time the fixtures weight. (See Drawing 1 below). Steps 1 and 2 of saety cable installation should be done at this time. See instruction provided.

Pipe should be adjusted so  $\frac{1}{2}$ " of  $\frac{3}{8}$  steel pipe extends into the junction box, at the center knock out. (See Drawing 2)

- 4) Thread pipe coupler (B) onto protruding pipe inside outlet box. Secure in place by tightening allen head screw (C).
- 5) Thread hexnut (D) onto threaded nipple (E). Thread nipple (E) into coupler (B). Secure in place by thightening hexnut (D) against coupler (B) and than tighten allen screw (F).
- 7) Thread screw collar loop (J) (without threaded ring (K)) onto end of nipple (E).
- 8) Pass canopy (L) over screw collar loop (J). Adjust loop hieght so that one-half of the exterior thread on screw collar loop (J) is exposed, when caopy (L) is held up to the ceiling.
- 9) Determine length of chain you will require. Attach one end of length of chain to fixture.
- 10) Slip threaded ring (N) and canopy (L) onto chain.
- 11) Attach fixture with chain to screw collar loop (J). Please get assistance, weight and size of fixture is difficult to manage by ones self.
- 12) Weave ground wire, supply wire, through chain, up through center of screw collar loop (J), through center of nipple (E), and out the opening on the side of coupler (B).
- 13) Make necessary wire connections following instruction sheet I.S. 18 provided.
- 14) After wiring connections are made. Slip canopy (L) up against the ceiling and screw threaded ring (N) onto screw collar loop (J).



12-27-04

# I.S. 18

## Wiring & Grounding Instructions

**SAFETY WARNING:** Read wiring and grounding instructions and any additional installation directions. Turn power supply off during installation. If new wiring is required, consult a qualified electrician or local authority for code requirements.

**WIRING INSTRUCTIONS (INDOOR FIXTURES):** Connect positive supply wire (black or red) to positive fixture lead with appropriately sized twist-on connector. Connect negative (white) supply wire to negative fixture lead.

**WIRING INSTRUCTIONS (OUTDOOR FIXTURES):** Connect positive supply wire (black or red) to positive fixture lead with appropriately sized twist-on connector. Connect negative (white) supply wire to negative fixture lead.

Cover open end of connectors with silicone sealant to form a watertight seal. If installing a wall-mount fixture, use caulk to seal gaps, between the fixture mounting plate (backplate) and the wall. This will help prevent water from entering the outlet box. If the wall surface is lap siding, use caulk and a fixture mounting platform specially designed for lap siding.

### IDENTIFICATION OF FIXTURE LEADS:

**POSITIVE:** Black, or with woven plain cloth cover or smooth and unmarked side of two-conductor cord.

**NEGATIVE:** White, or with woven cloth cover with tracer, or with ribbed or printed side of two conductor cord.

### GROUNDING INSTRUCTIONS:

**FOR FLUSH-MOUNT FIXTURES:** For positive grounding in a 3-wire electrical system, fasten the system ground to the fixture mounting strap with the green ground screw. Note: On straps for screw supported fixtures, first install the two mounting screws in strap. Any remaining tapped hole may be used for the ground screw.

**FOR CHAIN HUNG FIXTURES:** Loop fixture ground wire under the head of the ground screw on mounting strap, and connect the loose end of the fixture ground wire directly to the ground wire of the building system, with appropriately sized twist-on connectors.

**FOR POST - MOUNT FIXTURES:** Connect fixture ground to power supply ground with appropriately sized twist-on connector inside post. Cover open end of connector with silicone sealant fo form a watertight seal.

## WIRING DIAGRAMS:

