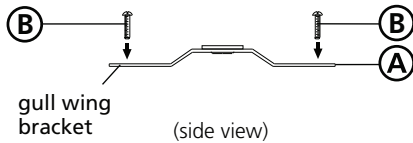
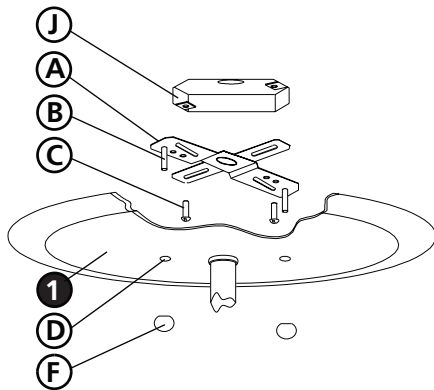


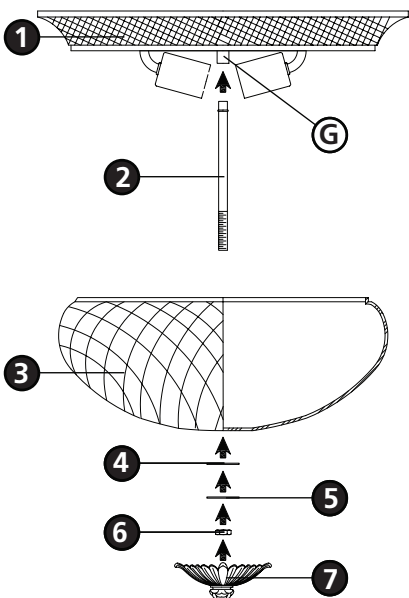
Drawing 1 - Strap Detail



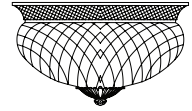
Drawing 2 - Fixture Mounting



Drawing 3 - Glass Installation



▼ start here



1

1. Find a clear area in which you can work.
2. Unpack fixture and glass from carton.
3. Carefully review instructions prior to assembly.

2

***** The construction of this fixture will be accomplished by first mounting the mounting strap to the junction box, making all necessary electrical connections, hanging the fixture from the ceiling, and then installing the glass.**

1. Prepare gem strap (A) for mounting by threading two screws (B) provided into back of gull wing bracket of gem strap (A) - see **Drawing 1**.
 - Be sure the holes into which the screws are threaded match the spacing of holes (D) in the ceiling pan (1) - see **Drawings 1 and 2**.
2. Mount gem strap (A) to junction box (J), using the two 1" screws (C) **not** provided.

3

SAFETY WARNING: READ WIRING AND GROUNDING INSTRUCTIONS (I.S. 18) AND ANY ADDITIONAL DIRECTIONS. TURN POWER SUPPLY OFF DURING INSTALLATION. IF NEW WIRING IS REQUIRED, CONSULT A QUALIFIED ELECTRICIAN OR LOCAL AUTHORITIES FOR CODE REQUIREMENTS.

3. Make electrical connections from supply wire to fixture lead wires. Refer to instruction sheet (I.S. 18) and follow all instructions to make all necessary wiring connections. Then refer back to this sheet to continue installation of this fixture.

4

4. Hang the fixture by slipping the holes (D) in the ceiling pan (1) over the screws (B) in the mounting strap (A) - see **Drawing 2**.
2. Thread on ball knobs (F) to secure fixture to the ceiling.

5

1. To install glass, thread center stem (2) into coupler (G), located in the center of ceiling pan (1) - see **Drawing 3**.
2. Slip glass (3) onto center stem (2).
3. While holding glass (3) in place, slip plastic washer (4) and steel washer (5) onto center stem (2).
4. Thread hex nut (6) onto center stem (2) and tighten.
Note: Overtightening hex nut (6) could cause damage to glass
5. Thread decorative plate (7) onto end of nipple (2).

Note: Maximum wattage for 2123 / 4881 fixture is 60 watts per bulb.

10.1.08