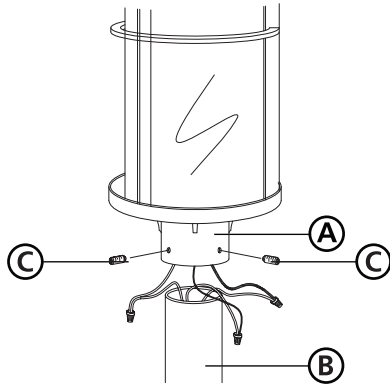


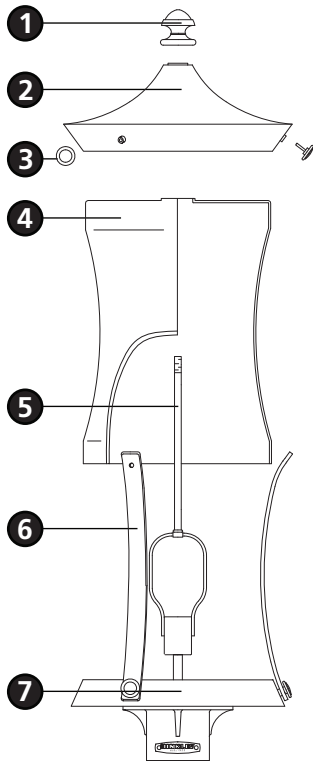
Family: Thistledown | Item No. 1281 VZ



Drawing 1 - Fixture Mounting



Drawing 2 - Glass Replacement



▼ start here

1

1. Find a clear area in which you can work.
2. Unpack fixture and glass from carton.
3. Carefully review instructions prior to assembly.

***** The construction of this fixture will be accomplished by first installing the glass, making all necessary electrical connections, and then mounting the fixture to the pole.**

SAFETY WARNING: READ WIRING AND GROUNDING INSTRUCTIONS (I.S. 18) AND ANY ADDITIONAL DIRECTIONS. TURN POWER SUPPLY OFF DURING INSTALLATION. IF NEW WIRING IS REQUIRED, CONSULT A QUALIFIED ELECTRICIAN OR LOCAL AUTHORITIES FOR CODE REQUIREMENTS.

2

Make electrical connections from supply wire to fixture lead wires. Refer to instruction sheet **(I.S. 18)** and follow all instructions to make all necessary wiring connections. Then refer back to this sheet to continue installation of this fixture.

3

1. To install or replace glass, remove knob **(1)** from top of roof **(2)** - see **Drawing 1**.
2. Remove decorative knob **(3)** from the top of the 3 uprights **(6)**.
3. Remove roof **(2)** by sliding it off center stem **(5)**.
4. Slip glass **(4)** into the fixture cage assembly **(7)**, small hole in glass upwards.
Note: fixture should be lamped prior to installing or replacing the glass.
5. Replace roof **(2)** and line up top holes in upright **(6)** with hole in roof.
6. Thread decorative knob **(3)** back into roof **(2)**.
7. Thread top knob **(1)** onto the exposed end of center stem **(5)** to secure roof.

4

1. After wiring connections are complete, slip post fitter **(A)** over top of pre-installed post **(B)** making sure all wire connections are tucked inside the pole - see **Drawing 1**.
2. When fixture is slipped over pole make sure no wires are being pinched between the top edge of the pole and the inside of the post fitter.
3. Thread the 3 set screws **(C)** into pre-tapped holes in post fitter.
4. Tighten screw **(C)** to secure fixture to post.

Note: Maximum wattage for 1281 fixture is 100 watts per bulb.

2.7.08