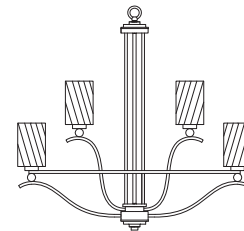
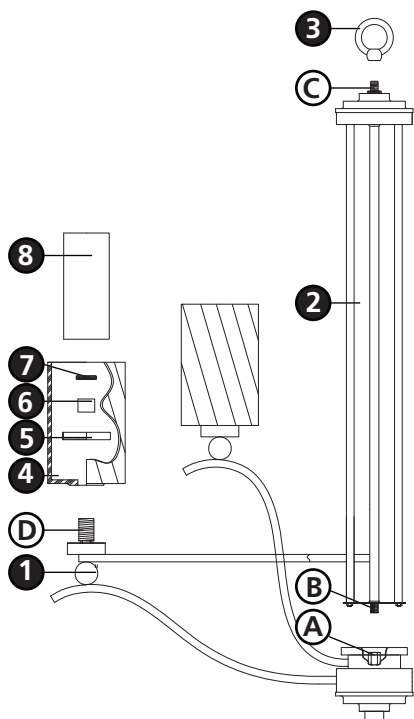


Family: Tides | Item No. 4788 CM



Drawing 1 - Fixture Assembly

▼ start here



1

1. Find a clear area in which you can work.
2. Unpack fixture and glass from carton.
3. Carefully review instructions prior to assembly.

***** The construction of this fixture will be accomplished by first assembling the main body of the fixture, making all necessary electrical connections, hanging the fixture from the ceiling and then installing the glass.**

SAFETY WARNING: READ WIRING AND GROUNDING INSTRUCTIONS (I.S. 18) AND ANY ADDITIONAL DIRECTIONS. TURN POWER SUPPLY OFF DURING INSTALLATION. IF NEW WIRING IS REQUIRED, CONSULT A QUALIFIED ELECTRICIAN OR LOCAL AUTHORITIES FOR CODE REQUIREMENTS.

2

1. To assemble main body, slip center column (2) along wire and thread tubing (B) into coupler (A) located in the center of the main body assembly (1).
2. Slip loop (3) along wire and thread into tubing (C).
3. Please refer to hanging instruction sheet (I.S. 19) provided to hang this fixture.

3

1. Remove socket ring (7), spacer (6) and retainer plate (5) from socket (D).
2. Slip glass (4) over socket (D).
3. Slip retainer plate (5), open side up, over socket.
4. Slip spacer (6) and thread socket ring (7) onto socket (D) and tighten to secure glass (4).
5. Fixture can now be lamped accordingly.
6. Slip glass (8) into inside of retainer ring (5).

Note: Maximum wattage for 4788 fixture is 60 watts per bulb.

4.15.08