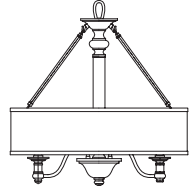
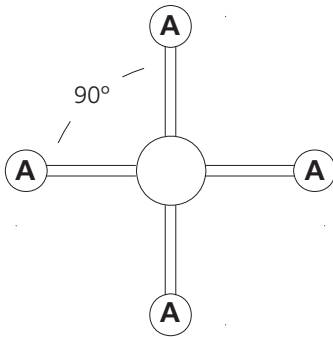


Family: Sussex | Item No. 4797 EZ/BN



**Drawing 1 - Fixture Assembly**



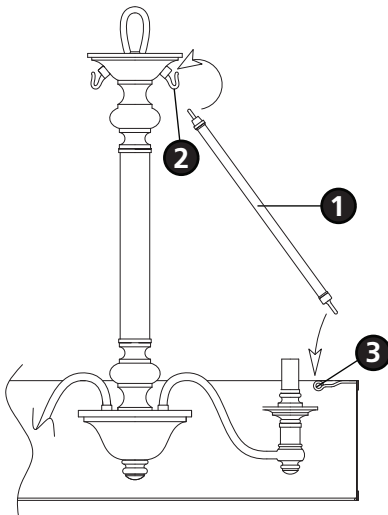
## ▼ start here

**1**

1. Find a clear area in which you can work.
2. Unpack fixture and glass from carton.
3. Carefully review instructions prior to assembly.

**\*\*\* The construction of this fixture will be accomplished by first assembling the main body, installing the mounting hardware, making all necessary electrical connections, hanging the fixture from the ceiling and then installing the fixture shade.**

**Drawing 2 - Fixture Assembly**



**SAFETY WARNING: READ WIRING AND GROUNDING INSTRUCTIONS (I.S. 18) AND ANY ADDITIONAL DIRECTIONS. TURN POWER SUPPLY OFF DURING INSTALLATION. IF NEW WIRING IS REQUIRED, CONSULT A QUALIFIED ELECTRICIAN OR LOCAL AUTHORITIES FOR CODE REQUIREMENTS.**

**2**

1. To assemble fixture, rotate arms (A) of main body fixture until they are equally spaced 90 degrees apart - see **Drawing 1**.
2. Please refer to the hanging instruction sheet (I.S. 19) provided to hang fixture. Then refer back to this sheet to install glass.

**3**

1. To install shade, attach uprights (1) to hook on fixture canopy - see **Drawing 2**.
2. Attach hook on other end of upright (1) to the looped wire (3) inside of the shade.
3. Fixture can now be lamped accordingly.

Note: Maximum wattage for 4797 fixture is 60 watts per bulb.

1.22.09