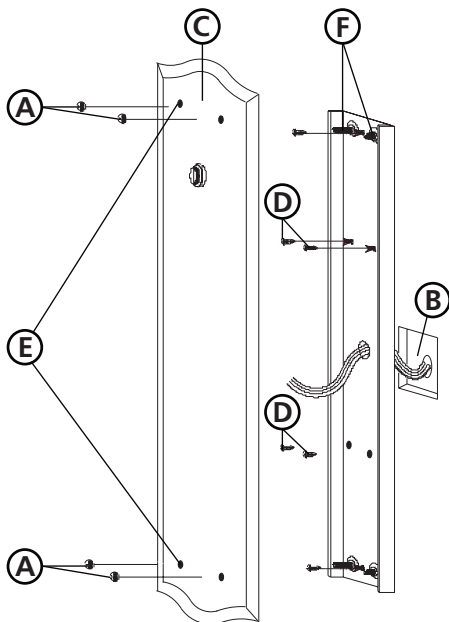


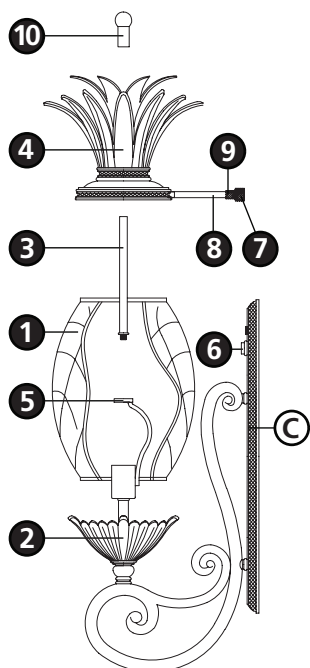
Family: Plantation | Item No. 2124 CB



Drawing 1 - Fixture Mounting



Drawing 2 - Glass Installation



▼ start here

1

1. Find a clear area in which you can work.
2. Unpack fixture and glass from carton.
3. Carefully review instructions prior to assembly.

***** The construction of this fixture will be accomplished by first assembling the main body of the fixture, mounting the mounting strap to the junction box, making all necessary electrical connections, mounting the fixture to the wall, and then installing the glass.**

2

1. To assemble main body, remove ball knobs (A) from backplate (C) and remove retainer plate (G) - see **Drawing 2**.
2. Slip wire from junction box (B) through the 9/16" dia. access hole in the retainer plate (G).
3. Remove appropriate knock outs from the star pattern on the retainer plate (G) that match the mounting hole location on your junction box (B).
4. Mount retainer plate (G) to the junction box (B) using the screws provided.
5. The top and bottom ends of the retainer plate have additional attachments points that can be used. To attach the plate at these points use the wood screws (D) provided.

SAFETY WARNING: READ WIRING AND GROUNDING INSTRUCTIONS (I.S. 18) AND ANY ADDITIONAL DIRECTIONS. TURN POWER SUPPLY OFF DURING INSTALLATION. IF NEW WIRING IS REQUIRED, CONSULT A QUALIFIED ELECTRICIAN OR LOCAL AUTHORITIES FOR CODE REQUIREMENTS.

3

Make electrical connections from supply wire to fixture lead wires. Refer to instruction sheet (I.S. 18) and follow all instructions to make all necessary wiring connections. Then refer back to this sheet to continue installation of this fixture.

4

1. Mount the fixture to the wall by slipping holes (E) in backplate (C), over screws (F) in retainer plate (G) and securing with ball knobs (A) - see **Drawing 1**.

5

1. Prior to installing glass, fixture can now be lamped accordingly.
2. To install glass, thread center stem (3) into top of harp (5) and tighten - see **Drawing 2**.
3. Slip glass (1) over center stem (3) and harp (5) and onto fixture base (2).
4. Place crown (4) on top of glass (1), making sure to line up cap (7) with attachment point (6).
5. Thread knurled cap (7) to backplate (C) at attachment point (6).
6. Tighten secondary knurled cap (9) against knurled cap (7) to secure arm (8) in place.
7. Thread top finial (10) onto center stem (3).

Note: Maximum wattage for 2124 fixture is 75 watts per bulb.

2.7.08