

Product Features

- Lever handle
- Coordinates with Solaris E, Allegro E, Metro E

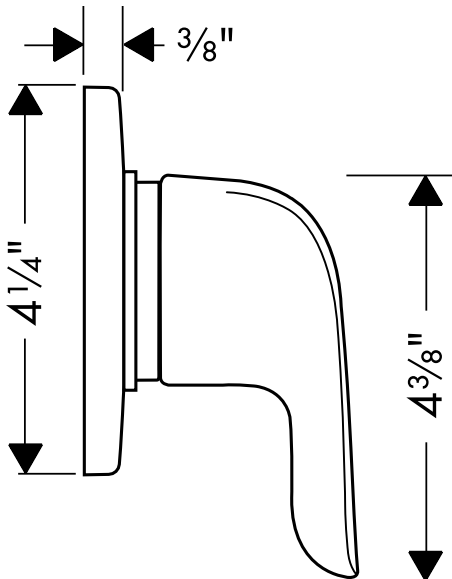
Code Compliance

This unit meets or exceeds the following:

- ASME A112.18.1
- CSA B125.1
- Listed by IAPMO

Available Finishes

Chrome	04227000
Brushed Nickel	04227820
Polished Nickel	04227830
Polished Brass	04227930



Required Accessories

Quattro rough	15930181
Trio rough	15984181

Optional Accessories

1" Extension set	96370000
------------------	----------

The measurements shown are for reference only.

Products and specifications shown are subject to change without notice.

Specification sheet revised 5/2010