

# LADYLUX PLUS

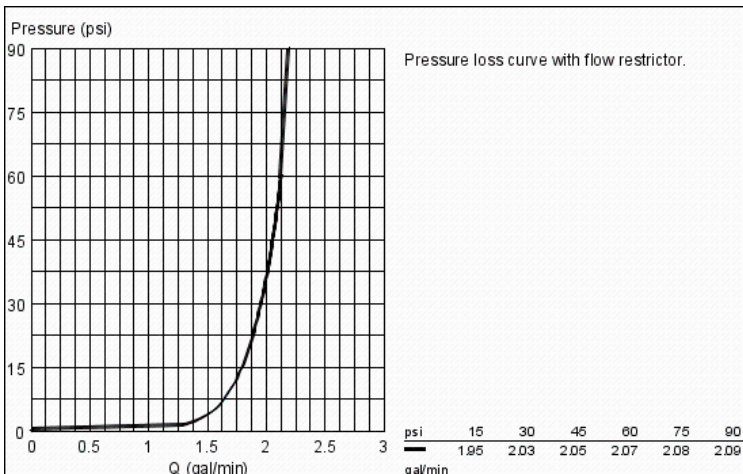
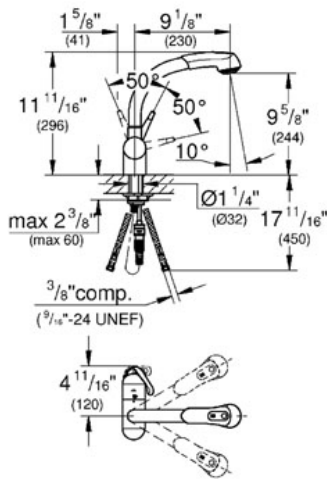
## Single-lever sink mixer 1/2"

MODEL # 33759

Pure Freude an Wasser



GROHE America, Inc | 200 North Gary Avenue, Suite G, Roselle, IL 60172  
 Phone: +1 (800) 444-7643 | Fax: +1 (800) 225-2778 | us-customerservice@grohe.com



### Product Description:

#### Single-lever sink mixer 1/2"

#### Standard Specification:

- GROHE SilkMove® ceramic cartridge
- GROHE RealSteel® Stainless Steel Construction produced from 304 stainless steel
- SpeedClean anti-lime system
- Dual Spray Pull-Out
- Single hole installation
- Solid stainless steel body
- 360° swivel spout
- Diverter: aerator/shower jet
- Stainless steel flexible connection hoses
- Quick installation system
- Double check valve
- Integrated flow regulating valve
- Single Lever Handle
- Variable Handle Positioning
- Spout Reach 9 1/8"
- Coordinated Ladylux Pro Design
- Forward rotation lever, does not hit backsplash
- Max Flow Rate 1.75 gpm (6.6 L/min)

#### Applicable Codes & Standards:

- Energy Policy Act of 1992
- NSF 61
- ASME A112.18.1/CSA B125.1
- US Federal and State material regulations
- ICC/ANSI A117.1
- CalGreen

#### Color:

- 33759 KD0 Stainless Steel/ Soft Black
- 33759 SDE stainless steel
- 33759 SD0 GROHE RealSteel®