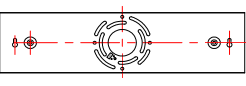


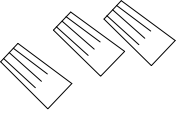
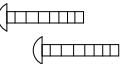
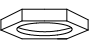


Fixture Name: Celesse 7071-BA3 CH

This fixture assembled PO: _____ Date: _____

Notice: Please review the parts listing and check for all parts before assembling the fixture. If any parts are missing or damaged, please note on this sheet and contact the place of purchase to arrange for replacement parts.

PARTS LIST		Company Name: _____ Co. Account #: _____ to be filled out by retailer	
Mounting Plate  1ea 4-1/4"*24"	Mounting Screws  2ea 8#32-IP*1"	Deco Nut  2ea 5/32-IP*H10mm	
Wire connectors  3ea P3 Orange	Mounting Screws  2ea 5/32-IP*1-3/4"	Hex Nut  2ea 5/32-IP*H3mm	
Part Needed _____		Quantity _____	
Part Needed _____		Quantity _____	
Reason why _____	(missing, scratched, broken glass, bent, bad finish)		
Comments _____			

FIXTURE ASSEMBLY INSTRUCTIONS

Read and review installation instruction sheet, but do not install before assembling the fixture.

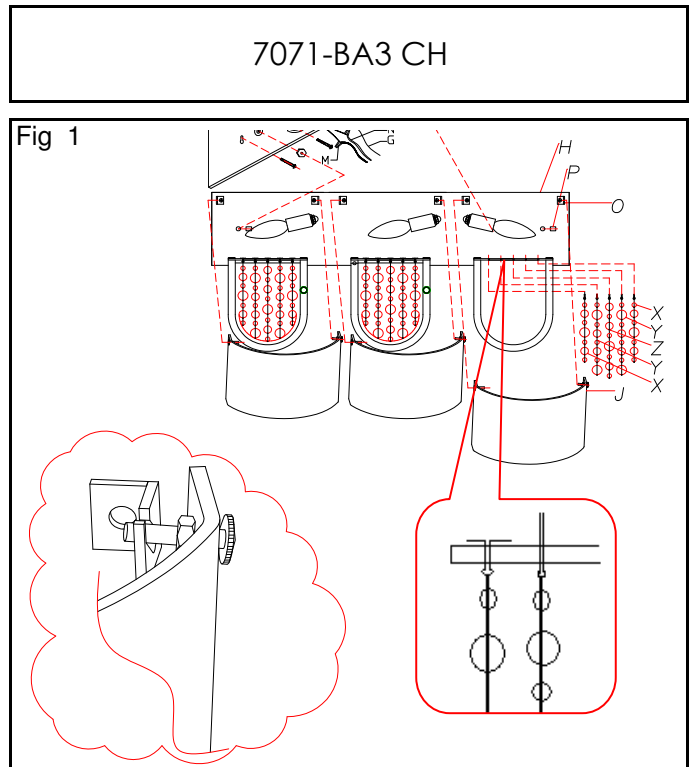
1. Thread the glass crystal strands (X,Y,Z) onto the fixture in the following order: X,Y,Z,Y,X by inserting the metal prongs at the top through the hole in the bar and folding each side down into a "T" shape. *see the inset

2. Place the glass shade (J) onto the brackets(O) of the backplate (H), secure the shade by tightening the screws at the sides. *see the cloud inset

3. Install the light bulbs in accordance with the fixture's specifications.

(DO NOT EXCEED MAXIMUM WATTAGE RATING!)

NOTE: INSTALL THE GLASS ASSEMBLY AFTER THE FIXTURE IS HUNG.





GOLDEN
Elegant lighting for everyday living

INSTALLATION INSTRUCTIONS

Fixture Name: Celesse 7071-BA3 CH

For Wall Mount Light Fixture

WARNING ! SHUT OFF POWER AT FUSE OR CIRCUIT BREAKER.

HANGING THE FIXTURE (Fig. 1)

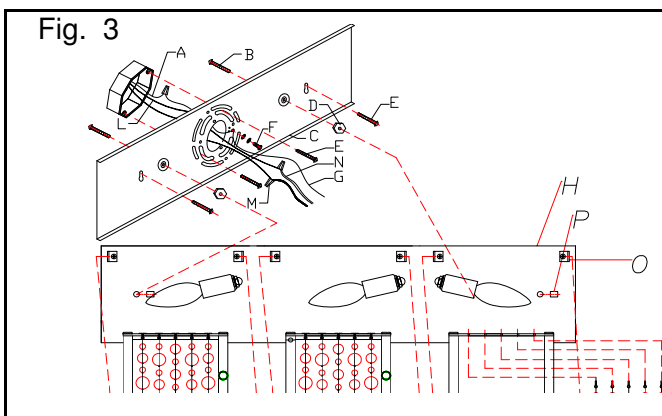
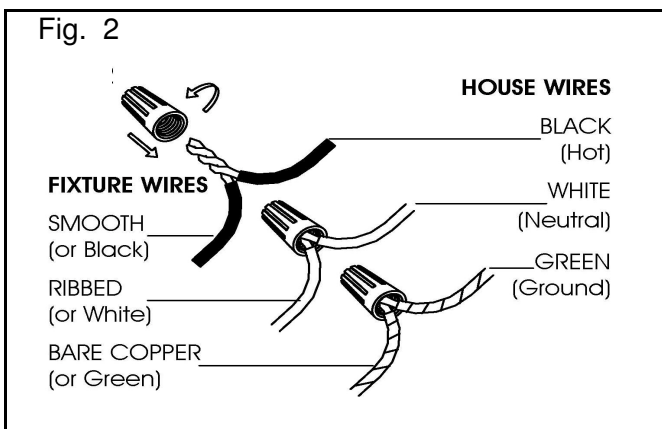
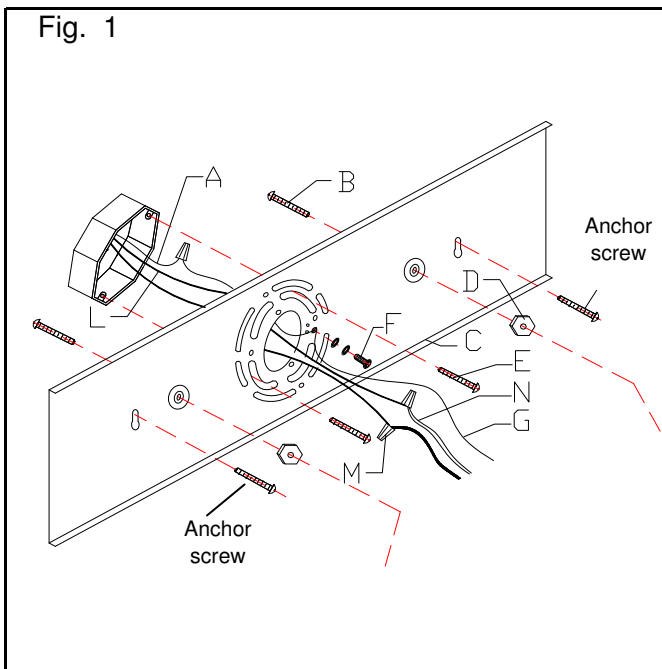
- Carefully remove the new fixture from the carton and the yellow bag that holds all your parts. Check that all parts are included as shown in the illustration and parts list.
- Shut off power at the circuit breaker and remove the old fixture from wall, including the old mounting strap.
- Thread the two Mounting Screws (D) into the Mounting Plate and secure with Hex Nuts (G).
- If desired you can use Anchor screws(not included) to secure the Mounting Plate. Hold Mounting Plate(B) up against the wall aligning the two holes in the Junction Box with appropriate slots in the Mounting Plate. Then while the Mounting Plate is leveled horizontally, use a pen or pencil to make a mark on the wall at keyholes located near each end of mounting Plate. Set aside the Mounting Plate and pre-drill the the holes. Insert Wall Anchors into the two holes made on the wall.
- Attach the Mounting Plate (F) to the Junction Box using the two mounting screws (E) and the Anchor screws and tighten securely with screw driver.

CONNECTING THE WIRES (Fig 2)

- Attach the power supply wires to the fixture lead wires by connecting BLACK to BLACK (or SMOOTH) and WHITE to WHITE (or RIBBED).
 - Attach the GROUND wire(GREEN or COPPER) from the Junction Box and the fixture Ground wire to the green Ground Screw (I) on the Mounting Bracket (F) or connect both wires together using the correct size of wire connectors.
- NOTE: Twist the wires together in the same direction you twist the wire connector (L) onto the wires.
- Tuck these wire connections neatly into the Junction Box.

FINISHING THE INSTALLATION (Fig.3)

- After tucking these wire connections neatly into the Junction Box, place the fixture Back Plate(H) over the two Mounting Screws (B).
 - Secure the Back Plate (H) against the wall by threading two Deco Nuts (P) over the two Mounting Screws (D) until tight as shown on Fig.1.
 - Install the light bulbs and glass shade as per the fixture assembly sheet.
- YOUR INSTALLATION IS NOW COMPLETE. RETURN POWER TO THE JUNCTION BOX AND TEST THE FIXTURE.



For Customer Service, contact the place of purchase to arrange for replacement parts.