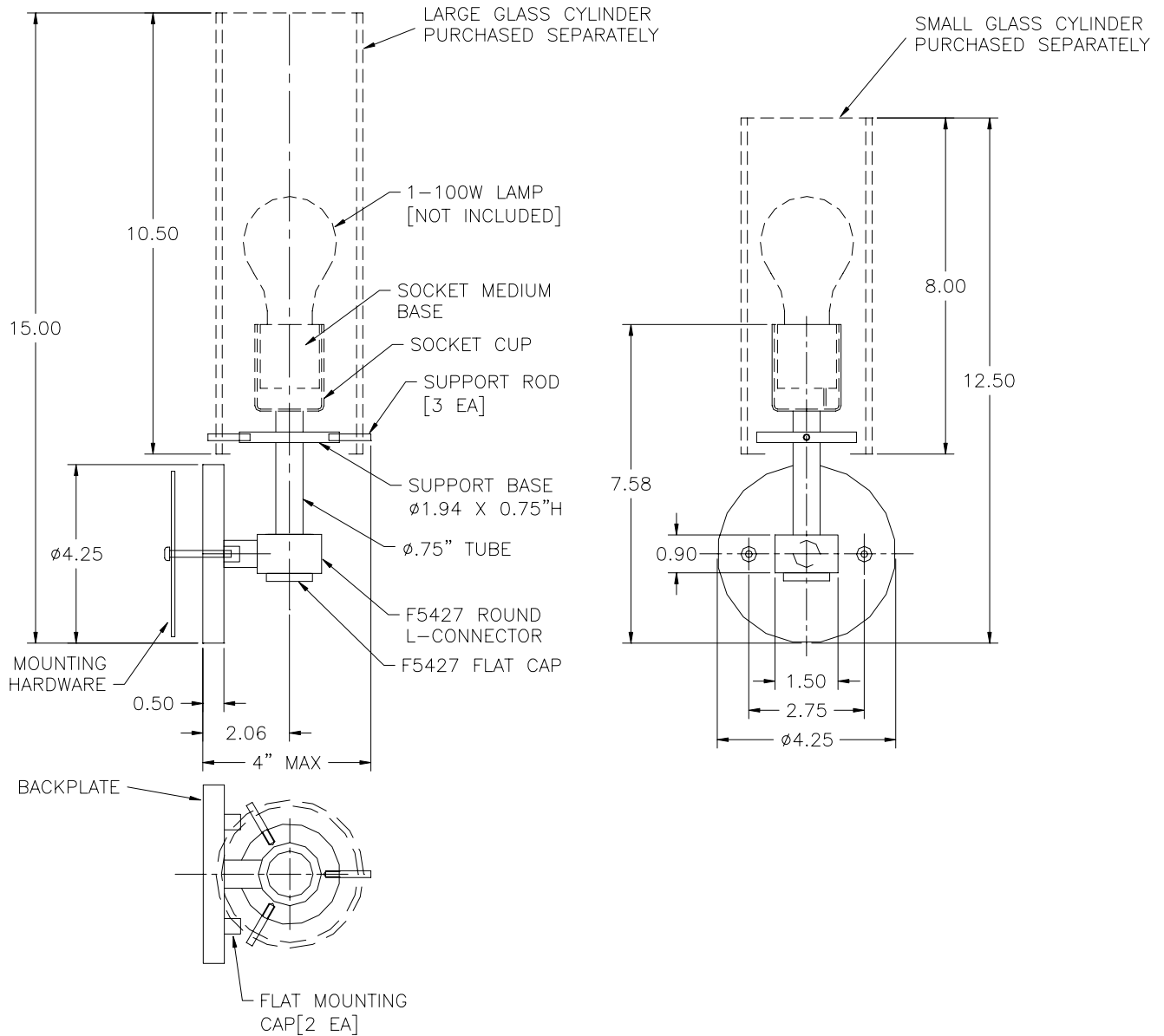


Specification Sheet

ADA Wall  
Rev. 9/18/08

Model: **F5465-35 Chrome**  
**F5465-36 Satin Nickel**  
**F5465-68 Deep Bronze**



Glass: PURCHASED SEPARATELY  
 Finishes: Chrome -35; Satin Nickel -36; Deep Bronze -68  
 Height: Varies Width: 4-1/4" Extension: 4"  
 Lamps: One 100 Watt Medium Base (Not Included)  
 Labels: cULus Listed. Suitable for Damp Locations.