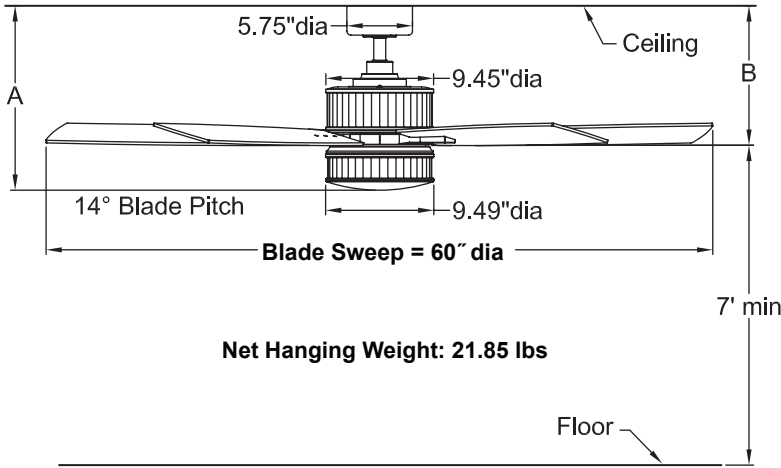




FPD8087** Ceiling Fan



	A	B
Fan w/4.5" downrod	16.16"	12.22"
Fan w/12" downrod	23.66"	19.72"
Fan w/18" downrod	29.66"	25.72"
Fan w/24" downrod	35.66"	31.72"
Fan w/36" downrod	47.66"	43.72"
Fan w/48" downrod	59.66"	55.72"
Fan w/60" downrod	71.66"	67.72"
Fan w/72" downrod	83.66"	79.72"

Available Finishes		
Fan / Housing Assembly		Blades - Traditional
BA	Bronze Accent	Cherry / Walnut with Forsted Glass
SN	Satin nickel	Cherry / Maple with Forsted Glass

INSTALLATION REQUIREMENTS:

Fan must be attached to a securely anchored electrical junction box capable of withstanding a load of at least 50 lbs.

ELECTRICAL REQUIREMENTS:

Requires a grounded electrical supply line of 120 volts AC, 60 Hz, 15 amp circuit.

MOTOR SPECS:

DC-125S DC motor is designed for optimal performance with this fan. Fan is Energy Star Rated.

BLADES:

A set of five 24.63" reversible traditional wood blades is included.

Airflow / Energy Efficiency Info (120V)					
Fan Speed	Max RPM	CFM	CFM / Watts	Amps	Watts
I	119	6134	208	0.46	29.5
II	101	5404	279	0.32	19.4
III	89	4769	340	0.25	14.0
IV	76	4141	442	0.18	9.4
V	63	3424	535	0.13	6.4
VI	51	2636	654	0.09	4.0

CONTROL OPTIONS:

TR31 hand-held DC fan remote control is included. Push button remote control has 6 fan speeds, reverse, off button and infinitely-varying uplight and downlight controls. Optional TW32 wall control is available—sold separately. Instructions are provided with each control.

LIGHTING OPTIONS:

Uplight with eight 10-watt LED bulbs and downlight with twelve 15-watt LED bulbs are included. See our catalog or visit www.fanimation.com for available lighting options.

DOWNROD OPTIONS:

Fan comes with 1" dia. x 4.5" long downrod. Optional downrods available in 12", 18", 24", 36", 48", 60", and 72" lengths. A downrod coupler is available for installations requiring a downrod longer than 72". Fan can be mounted on a sloped ceiling up to 30°. Most sloped ceiling installations require a downrod longer than the standard 6" downrod. Optional sloped ceiling ball kits (SCB1-52) are available for slope angles greater than 30° and up to 52°. Call technical support for more information.

LOCATION USE:

Fan is rated for dry locations only.