
Fargo®

Set-Up and Maintenance Instructions Sheet



Set Up:



Figure 1

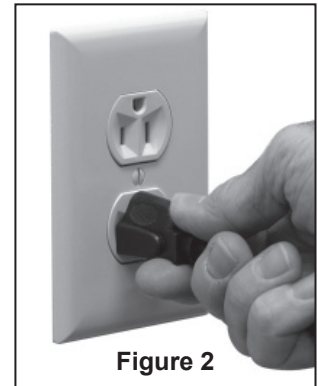


Figure 2

1. Carefully remove from package.

2. Plug directly into the socket.

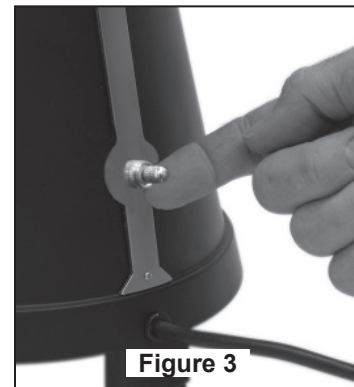


Figure 3

3. Select the desired airflow, located on back of fan base by rotating switch clockwise

ELECTRICAL REQUIREMENTS

Table fan requires a grounded electrical supply line of 120 volts AC, 60 Hz, 15 amp circuit. 8 ft power cord included. **NOT** for Damp Location Use.

⚠ WARNING

To Avoid Fire Or Electrical Shock, Do **NOT** Use This Fan With Any Solid-State Speed Control Device And Do **NOT** Use By Open Window.

Maintenance — To Clean Your Fan:

Periodic cleaning of your new fan is the only maintenance that is needed.

When cleaning, use only a soft brush or lint free cloth to avoid scratching the finish.

Abrasive cleaning agents are not required and should be avoided to prevent damage to finish.

CAUTION

Do not use water when cleaning your fan. It could damage the motor or the finish and create the possibility of electrical shock.

Maintenance (cont'd) — To Clean Your Fan Blade:

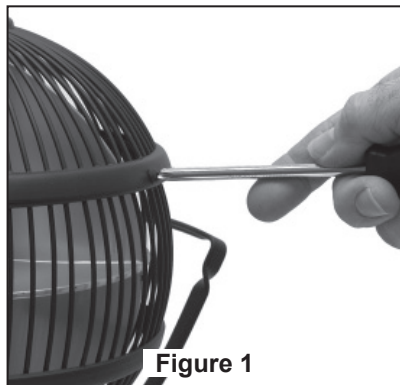


Figure 1

1. Carefully remove screws and top of cage.

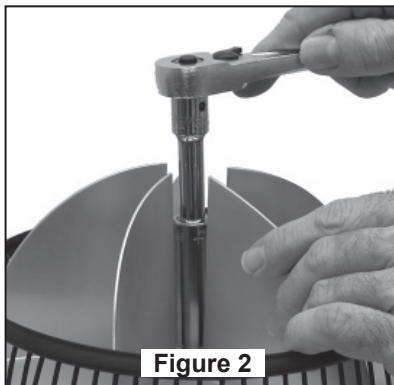


Figure 2

2. Carefully remove nut and blade. After cleaning and re-installing the blade, carefully install the nut, do NOT overtighten.

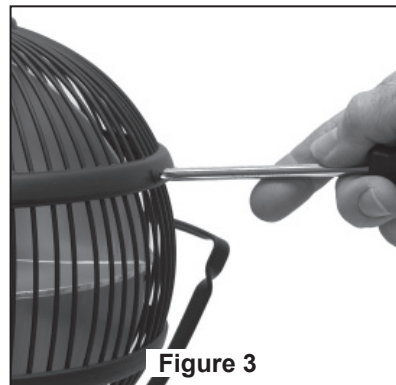
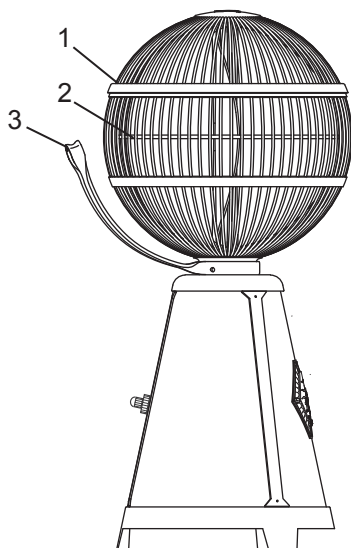


Figure 3

3. Assemble the top cage with the screws, do not overtighten.

Service Parts:



Fargo® Fan – Model #FP3320** (BG, BL, CL, CR, OB, or SN codes)		
Ref #	Description	Part #
1	Cage Set Assembly w/Screws	AP33211SER**
2	Blade	AP33215**
3	Handle	P33220**

** Insert Finish Codes (for service parts)

AB	Antique Brass – Cage Set Assembly, Handle
BB	Brushed Brass – Cage Set Assembly, Handle
BL	Black – Cage Set Assembly, Handle
CH	Chrome – Cage Set Assembly, Handle
OB	Oil-Rubbed Bronze – Blade
SN	Satin Nickel – Blade

Before discarding packaging materials, be certain all parts have been removed

How To Order Parts

When ordering repair parts, always give the following information:

- Part Number
- Part Description
- Fan Model Number

Contact your retail store for repair parts.



10983 Bennett Parkway
Zionsville, IN 46077
(888) 567-2055
FAX (866) 482-5215
Outside U.S. call (317) 733-4113
Visit Our Website www.fanimation.com