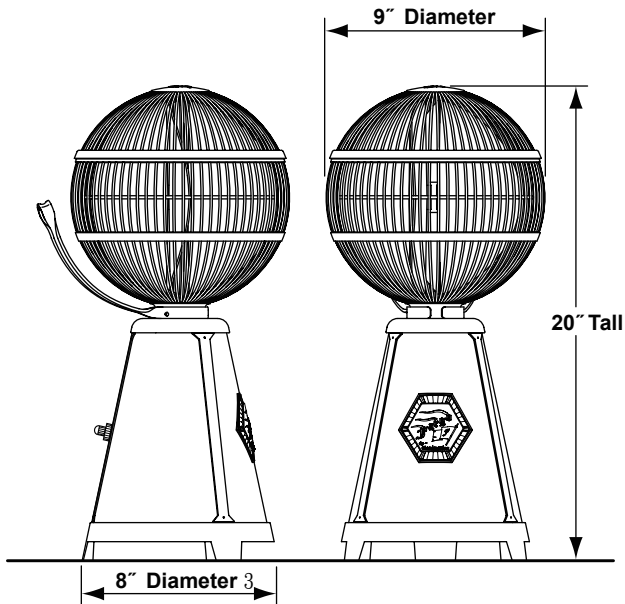


FARGO®

FP3320** Desktop/Table Fan



Available Finishes	
BG	Burgundy faux leather base / brushed brass trim & cage / oil-rubbed bronze blade
OB	Oil-rubbed bronze base / antique brass trim & cage / oil-rubbed bronze blade
SN	Satin nickel base / chrome trim & cage / satin nickel blade

ELECTRICAL REQUIREMENTS:

Requires a grounded electrical supply line of 120 volts AC, 60 Hz, 15 amp circuit. 8 ft power cord included.

MOTOR SPECS:

75 x 18 motor is designed for optimal performance with this fan.

CONTROL / SPEED:

Features a 4-position rotary switch control (high, medium, low and off).
High—1,060 rpm; Med—871 rpm; Low—587 rpm

FEATURES:

- Includes 8 ft power cord
- Includes carry handle
- Includes protective rubber feet
- Weighs 12.5 lbs
- Ships fully assembled

LOCATION USE:

Fan is rated for dry locations only.