

Aire Décor Series

BP220/BP225 Series Fans



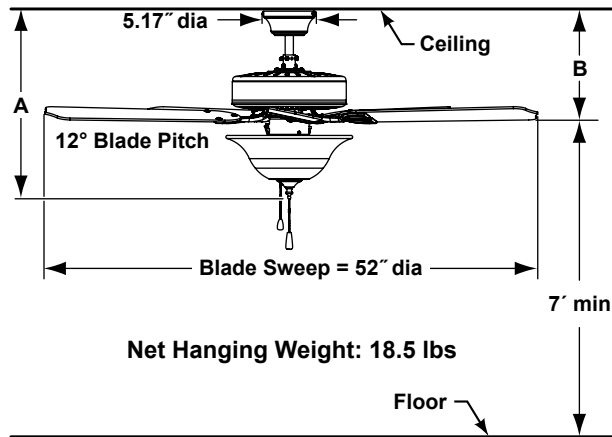
SPECIFICATION SHEET



Product Specifications subject to change



BP220**/BP225OB Series Ceiling Fans



	A	B
Fan w/6" downrod	19.30"	11.10"
Fan w/12" downrod	26.80"	17.10"
Fan w/18" downrod	32.80"	23.10"
Fan w/24" downrod	38.80"	29.10"
Fan w/36" downrod	50.80"	41.10"
Fan w/48" downrod	62.80"	53.10"
Fan w/60" downrod	74.80"	65.10"
Fan w/72" downrod	86.80"	77.10"

Airflow / Energy Efficiency Info (120V)					
Fan Speed	Max RPM	CFM	CFM / Watts	Amps	Watts
High	188	5897	92	0.53	64
Med	124	3701	128	0.37	29
Low	65	1744	174	0.21	10

INSTALLATION REQUIREMENTS:

Fan must be attached to a securely anchored electrical junction box capable of withstanding a load of at least 50 lbs.

ELECTRICAL REQUIREMENTS:

Requires a grounded electrical supply line of 120 volts AC, 60 Hz, 15 amp circuit.

MOTOR SPECS:

153 x 15 motor is designed for optimal performance with this fan.

BLADES:

A set of five traditional wood blades is included.

CONTROL OPTIONS:

Optional C2, C5, C25* and CWRL4LA/WH wall controls and C4, CRL4WH and CRL8TS remote controls (with receiver units) are available—sold separately. Instructions are provided with each control.

*C25 wall control must be used with C4 remote control

LIGHTING OPTIONS:

A 3-bulb (60 watt max candelabra bulbs - included) downlight fixture with 4 glass shades is included with this fan assembly. Maximum downlight wattage not to exceed 180 watts.

DOWNROD OPTIONS:

Fan comes with 1/2" dia. x 4.5" long downrod. Optional downrods available in 18", 24", 36", 48", 60", and 72" lengths. A downrod coupler is available for installations requiring a downrod longer than 72". Fan can be mounted on a sloped ceiling up to 30°. Most sloped ceiling installations require a downrod longer than the standard 6" downrod. Optional sloped ceiling ball kits (SCB52) are available for slope angles greater than 30° and up to 52°. Call technical support for more information.

LOCATION USE:

Fans are rated for dry locations only.

Available Finishes—BP220**	
Fan Assembly / Glass	Blades - Traditional
MW – Matte white / Frosted White	Matte white
OB – Oil-rubbed bronze / Amber	Cherry / walnut reversible
SN – Satin nickel / Frosted white	Cherry / walnut reversible

Available Finishes—BP225OB	
Fan Assembly / Glass	Blades - Traditional
OB – Oil-rubbed bronze / Frosted White	Cherry / walnut reversible



**10983 Bennett Parkway
Zionsville, IN 46077
Toll Free (888) 567-2055
FAX (866) 482-5215
Outside U.S. call (317) 733-4113
Visit Our Website www.fanimation.com**

