

The Air ShadowTM

FP820 – Mechanical**



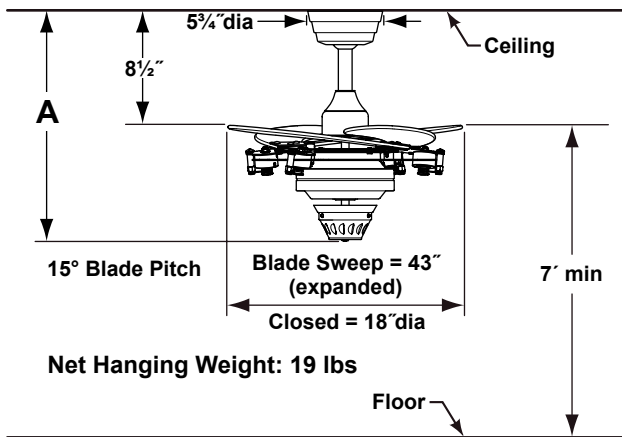
SPECIFICATION SHEET



Product Specifications subject to change

The Air Shadow™ Fan Asm – FP820**

Mechanical Retractable Ceiling Fan



Dimensions shown in inches

| Available Finishes | |
|--------------------|--------------------------------|
| CH | Chrome with Maple Wood Blades |
| PW | Pewter with Cherry Wood Blades |

| Distance from Ceiling to Bottom of Fan | A |
|--|------|
| Fan w/6" downrod | 17½" |
| Fan w/12" downrod | 23½" |
| Fan w/18" downrod | 29½" |
| Fan w/24" downrod | 35½" |
| Fan w/36" downrod | 47½" |
| Fan w/48" downrod | 59½" |
| Fan w/60" downrod | 71½" |
| Fan w/72" downrod | 83½" |

INSTALLATION REQUIREMENTS:

Fan must be attached to a securely anchored electrical junction box capable of withstanding a load of at least 50 lbs.

ELECTRICAL REQUIREMENTS:

Requires a grounded electrical supply line of 120 volts AC, 60 Hz, 15 amp circuit.

MOTOR SPECS:

188 x 18 motor is designed for optimal performance with this fan. 220 VAC, 50 Hz export version available (chrome finish only).

BLADES:

A set of four wood blades included.

CONTROL OPTIONS:

C28 hand-held reversible remote control with canopy-style receiver unit (RECCAN57DEMO) included. Frequency code settings are located in both transmitter and receiver units. Push-button remote has 3 reversible fan speeds, infinite light level dimming, demo mode and off button. Demo mode is initiated by pressing the Demo button on the remote. Lights will flash 3 times when demo mode is initiated and fan runs for 2½ minutes, then shuts off for ½ minute. Demo mode continues until any other button is pressed on the remote control. Optional C21 wall control is available—sold separately. Instructions are provided with each control.

LIGHTING OPTIONS:

Fan is down light adaptable. Optional lighting fitters and light kits are available—see our catalog or visit www.fanimation.com.

DOWNROD OPTIONS:

Fan comes with a 1" dia. x 6" long downrod (DR1-6). Optional downrods are available in 12", 18", 24", 36", 48", 60" and 72" lengths. Fan can be mounted on a sloped ceiling up to 30°. Most sloped ceiling installations require a downrod longer than the standard 6" downrod. Optional sloped ceiling ball kits (SCB1-52) are available for slope angles greater than 30° and up to 52°. Call technical support for more information.

LOCATION USE:

Fan is rated for dry locations only.



10983 Bennett Parkway
Zionsville, IN 46077
Toll Free (888) 567-2055
FAX (866) 482-5215

Outside U.S. call (317) 733-4113

Visit Our Website www.fanimation.com

