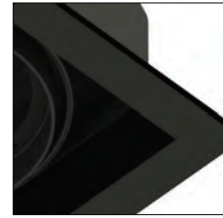


MULTIPLE LED RECESSED

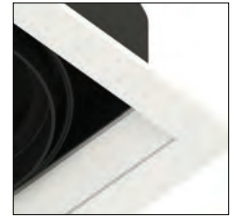


TE111LED

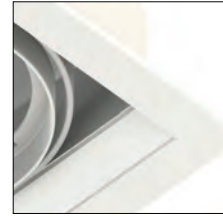
Available Options:



-01 Black/Black



-02 White/Black



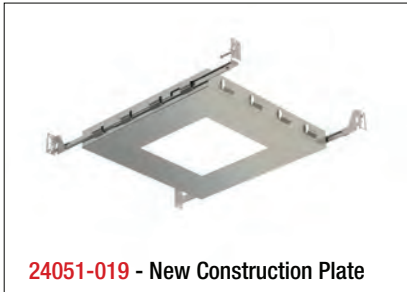
-22 White/White



-0N Platinum/Black



Available Housing (Sold Separately):

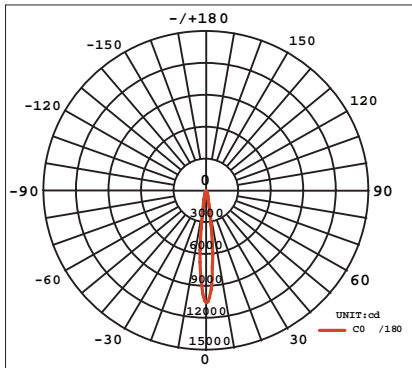


24051-019 - New Construction Plate

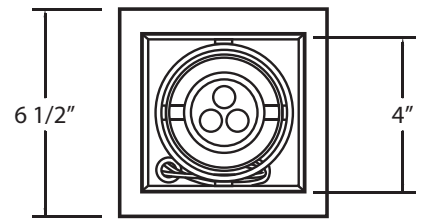
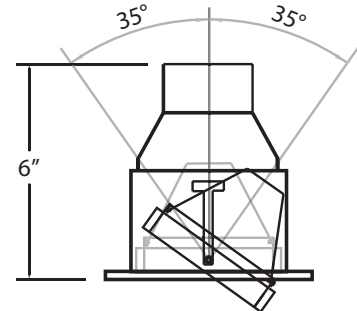
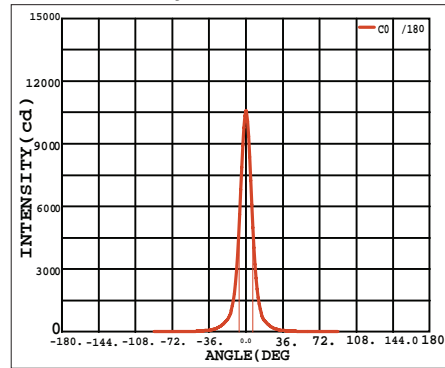


24071-017 - Insulated Ceiling Box

Average Beam Angle (50%) : 13.1 Deg



Luminous Intensity Distribution



Fixture	Model #	Application	Lumen	LED Kelvin	LED Life	CRI	Cut Hole	Length	Width	Height	Lamping / Wattage
	TE111LED	Remodel (Non IC)	380	3500	50,000 (h)	85+	5 1/8" x 5 1/8"	6 1/2"	6 1/2"	6"	1 X 9W LED OSRAM DIMMABLE DRIVER AVAILABLE
Housing	Model #	Application		Cut Hole	Length	Width	Height				
	24051-019	NEW CONSTRUCTION PLATE		5 1/8" x 5 1/8"	9 1/2"	9 1/4"	1 3/8"				
	24071-017	INSULATED CEILING BOX		5 1/8" x 5 1/8"	11 1/4"	12 3/4"	11 1/2"				