



✉ 33 West Beaver Creek Road Richmond Hill
Ontario Canada L4B 1L8

☎ 800.660.5391

📠 800.660.5390

✉ info@eurofase.com

🌐 www.eurofase.com



CRONOS , STRIP LED PENDANT

Product Specifications

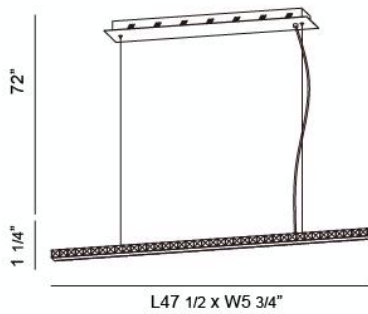
Collection: Illuminations
 Model No.: 20402
 Height: 1.25"
 Chain / Cord Length: 72"
 Width: 5.75"
 Length: 47.5"
 Est. Shipping Weight: 7.788 lbs
 No. of Bulbs: 20 Inc.
 Bulb Wattage: 1 watts
 Bulb Type: LED ^{✓LED}
 Bulb Base: LED

Options Available

ITEM CODE	FINISH	SHADE
20402-013	chrome	clear crystal

Colour / Shades Available

FINISH	SHADE
chrome	<input checked="" type="radio"/> clear crystal



Project Information

Job Name: _____ Date: _____ Type: _____

Comments: _____