



✉ 33 West Beaver Creek Road Richmond Hill
Ontario Canada L4B 1L8
☎ 800.660.5391
📠 800.660.5390
✉ info@eurofase.com
🌐 www.eurofase.com



IN-FLOOR , 8-LIGHT IN-FLOOR LED SQUARE FLOOR LIGHT

Product Specifications

Collection: Illuminations
Model No.: 19250
Height: 0.37"
Width: 3.13"
Length: 3.13"
Est. Shipping Weight: 0.3872 lbs
No. of Bulbs: 8 Inc.
Bulb Type: LED ^{COB}
Bulb Base: LED
Bulb Voltage: 12 volts

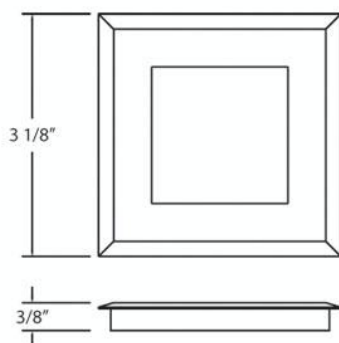
Options Available

ITEM CODE	FINISH	SHADE
19250-014	satin nickel	opal

Colour / Shades Available

FINISH	SHADE
satin nickel	<input checked="" type="radio"/> opal

Square in-floor light for indoor use. 8 LED. Zinc die cast front bezel, acrylic housing and diffuser.



Project Information

Job Name: _____ Date: _____ Type: _____
Comments: _____