



MINILITE KIT 3LT, ADJ, LED

Product Specifications

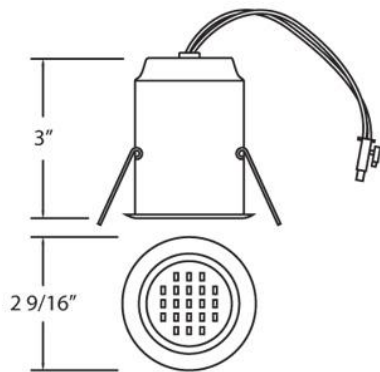
| | |
|-----------------------|----------------------|
| Collection: | Illuminations |
| Item No.: | 19542-027 |
| Height: | 3" |
| Diameter: | 2.56" |
| Est. Shipping Weight: | 1.32 lbs |
| No. of Bulbs: | 3 Inc. |
| Bulb Wattage: | 1 watts |
| Bulb Type: | LED ³ LED |
| Bulb Base: | LED |
| Bulb Voltage: | 12 volts |

Options Available

| ITEM CODE | FINISH | SHADE |
|-----------|--------------|-------|
| 19542-027 | satin nickel | n/a |
| 19542-010 | white | n/a |

Colour / Shades Available

| FINISH | SHADE |
|--------------|-------|
| satin nickel | n/a |
| white | n/a |



Project Information

Job Name: _____ Date: _____ Type: _____
 Comments: _____