




✉ 33 West Beaver Creek Road Richmond Hill
 Ontario Canada L4B 1L8
 ☎ 800.660.5391
 📠 800.660.5390
 📧 info@eurofase.com
 🌐 www.eurofase.com

SPERANZA , 4-LIGHT PENDANT



Product Specifications

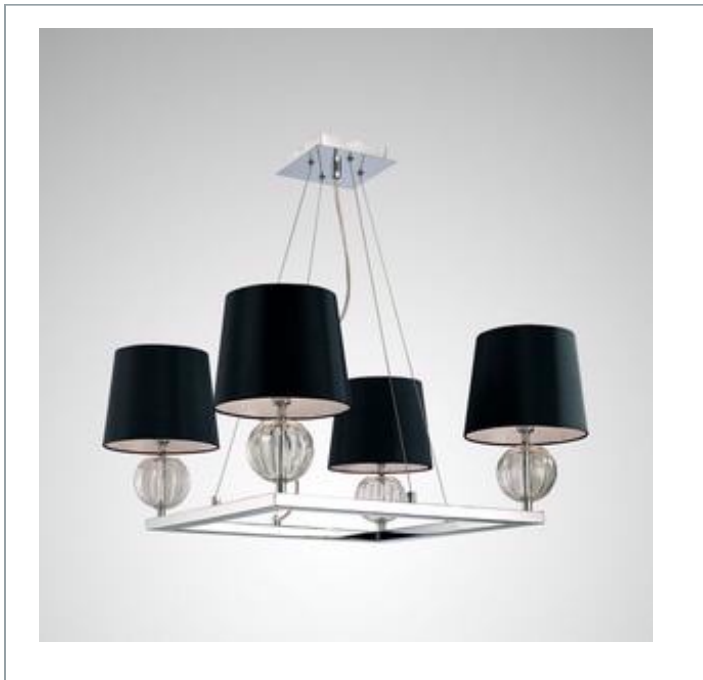
Model No.: 19522
 Height: 11"
 Chain / Cord Length: 72"
 Width: 25.75"
 Length: 25.75"
 Est. Shipping Weight: 0.022 lbs
 No. of Bulbs: 4
 Bulb Wattage: 40 watts
 Bulb Type: B10 
 Bulb Base: E12
 Bulb Voltage: 120 volts

Options Available

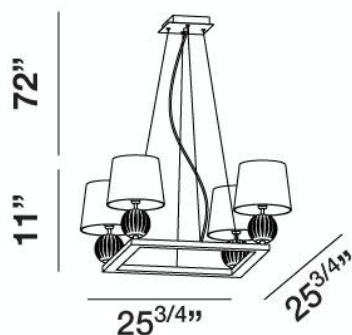
ITEM CODE	FINISH	SHADE
19522-012	chrome	black
19522-029	chrome	white

Colour / Shades Available

FINISH	SHADE
chrome 	black
chrome 	white



Miniature lamps are perched efficiently on a solid silver bar frame. Glass spheres shine brilliantly when illuminated by the light above, and pour through the architecture below to create a classic yet stylish lighting effect. The sheen of the silky cloth shades softly reflects the immaculate luminosity. This collective effect creates softly pervasive and precise lighting.



Project Information

Job Name: _____ Date: _____ Type: _____
 Comments: _____