

RR10H

6" Line voltage remodel housing, 150 watt max.
Type non-IC
For use in existing ceiling.

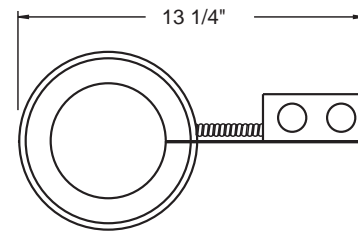
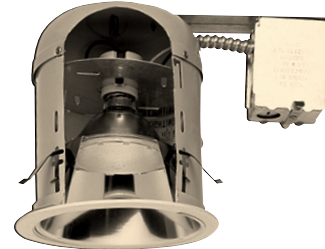
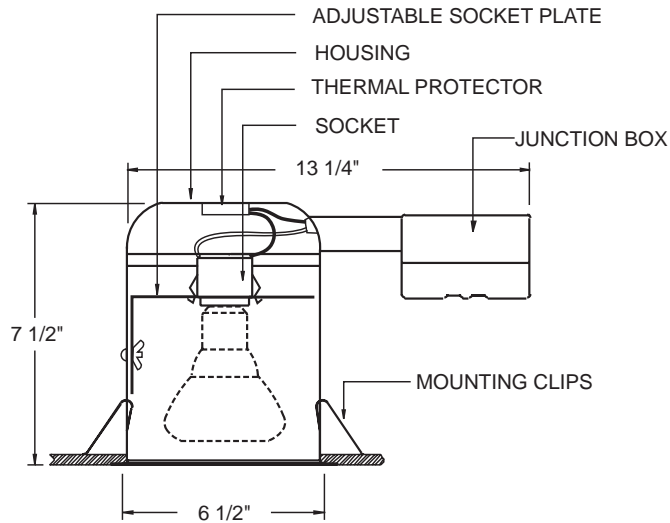
PROJECT INFORMATION:

Project Name: _____

Fixture Type: _____

Date: _____

DIMENSIONS



PLAN VIEW

PRODUCT SPECIFICATIONS

Housing Features: Remodel housing with Integral thermal protector, guards against improper lamping. Single wall construction.

Adjustable socket bracket allows the use of different lamp types and sizes as well as proper and consistent lamp positioning.

Lamp: 120V, 150W Maximum.

Lamp Holder: Medium base socket.

Trim Ring: Polycarbonate trim ring, metal trim ring design to conceal ceiling cutout.

INSTALLATION

Junction Box: Pre-wired junction box provided with 1/2" and 3/4" knockout. U.L. listed/C.U.L. listed: for through branch wiring, maximum (8) N^o. 12 AWG branch circuit conductors (4 in, 4 out). Junction box provided with removable access plates.

Mounting: Four remodel clips secure housing and accommodate various ceiling thickness.

Labels:

- U.L. listed for damp locations.
- U.L. listed for feed through.

CATALOG NUMBER

Example: RR10H-ELA101B

See trims page for variety of trims available.

