

EUC41

MINIATURE HALOGEN UNDERCABINET LIGHT

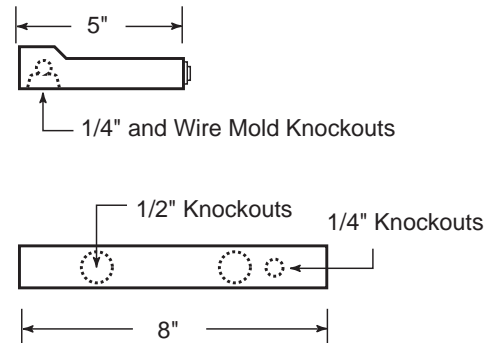
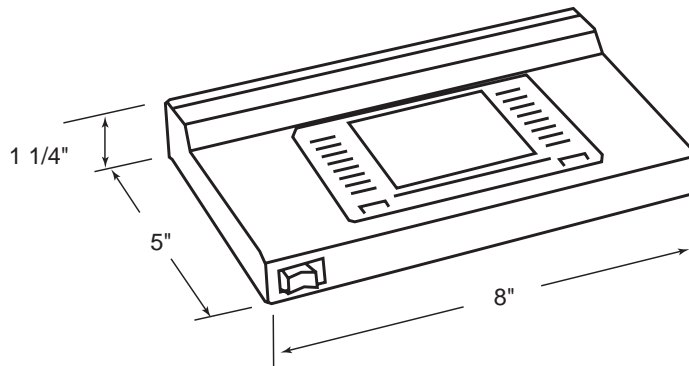
PROJECT INFORMATION:

Project Name: _____

Fixture Type: _____

Date: _____

DIMENSIONS



PRODUCT SPECIFICATIONS

Feature:

- Line voltage
- Low profile design
- Knockouts on top and rear
- High quality metal housing
- Easy wiring and installation

Lamp:

(1) 35W 120V JCD G8 Lamp included.
Dimmable with regular diffuser
Includes 2-level on/off switch.

Label:

U.L. and C.U.L. Listed.

Dimension: 8"L x 5"W x 1 1/4"D

Finish:

(B) Black, (W) White

CATALOG NUMBER

Example: EUC41B (Black)

EUC41W (White)



ELCO LIGHTING

2042 East Vernon Avenue • Vernon, CA 90058
Tel # (323) 231-2600 Fax # (323) 231-3200 or (800) 644-2626
www.elcolighting.com Email elco@elcolighting.com

Rev Sep/03

ELCO Lighting reserves the right to make specification and design changes without notice.

© 2003 All Rights Reserved ELCO LIGHTING