

EUS14W

Slimline Fluorescent Undercabinet Light

PROJECT INFORMATION:

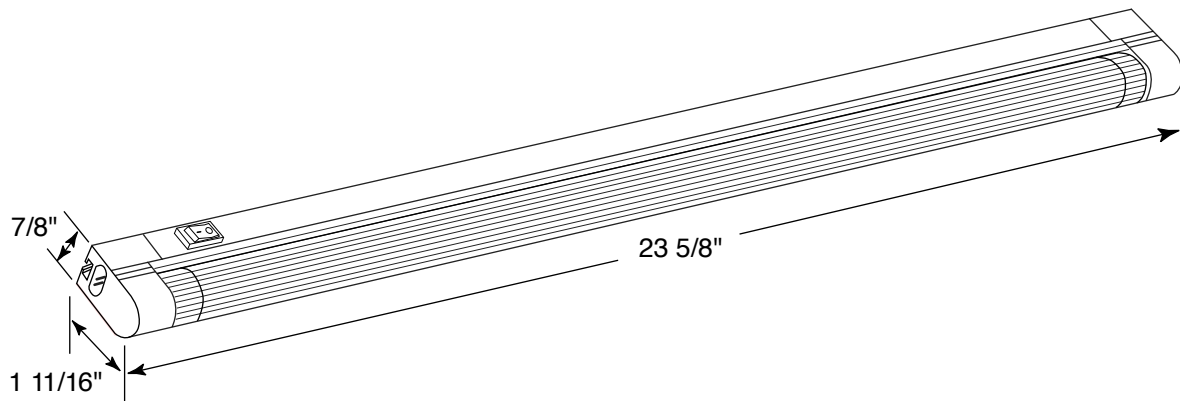
Project Name: _____

Fixture Type: _____

Date: _____

EUS14W

DIMENSIONS



PRODUCT SPECIFICATIONS

- 120V Electronic Ballast
- On/off switch
- 5' power cord and plug included
- White Polycarbonate body, ribbed clear acrylic lens
- Mini-connectors for flush unit-to-unit connection
- (1) F14T5 Lamp included
- U.L. Listed

Dimensions:

1 11/16"H x 7/8"W x 23 5/8"L

CATALOG NUMBER

Example: EUS14W

Options: EUSC6: 6" linking cable
EUSC12: 10" linking cable
EUSC24: 24" linking cable
EUSC36: 39" linking cable