

# Residential Safety Grab Bar

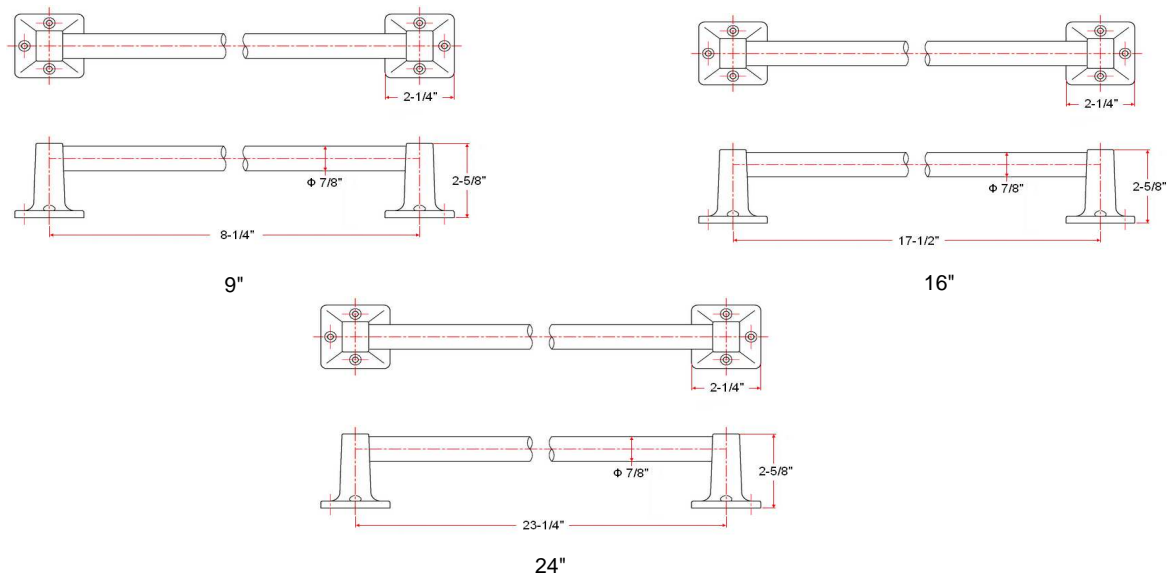


## Specifications

<b>Product Dimensions</b>	7/8" diameter tubing
<b>Metal Material &amp; Gauge</b>	304 Stainless steel tubing 15 gauge
<b>Mounting Plate Style</b>	no mounting plate
<b>Mounting Screw Size</b>	1/4x1/2", 8pcs
<b>Clearance from Wall</b>	1-1/2" wall clearance
<b>Finish</b>	Polished Chrome (US26)
<b>Weight Limit</b>	withstands 300 lbs. Pull force



## Dimensions



## Warranty & Compliances

<b>Warranty</b>	1 Year Limited Warranty
<b>ADA Compliant</b>	N/A



## Order Codes & Finishes/Colors

### Bar Length

9"	514216	
16"	514208	
24"	514190	

Type:  
Job:  
Order Code:  
Approvals:

Design House reserves the right to make changes in materials, specifications & models at any time. Design House also reserves the right to discontinue product without notice or obligation.