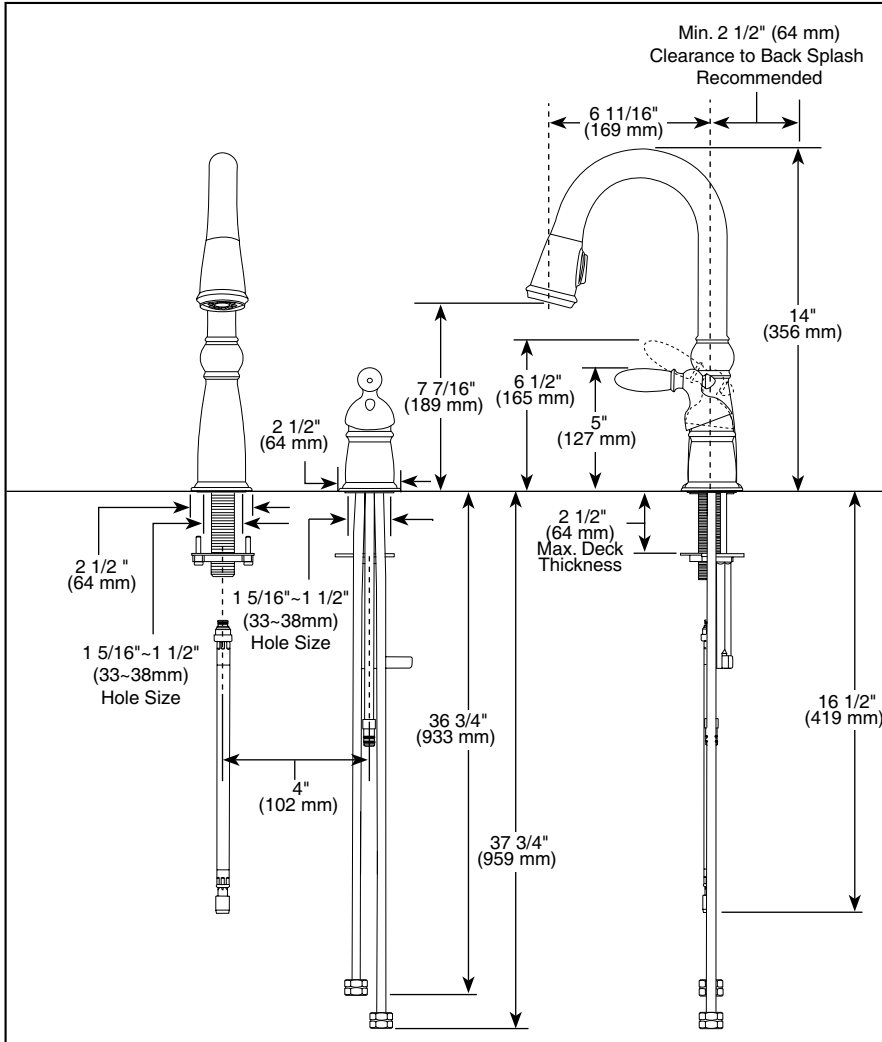


Submitted Model No.: _____

Specific Features: _____



▲ Designate Proper Finish Suffix



BAR / PREP SINK FAUCETS

- Victorian® Collection
- Single Handle Widespread
- 2 Hole Sink Applications
- DIAMOND™ Seal Technology
- Integrated Supply Tubes
- MagnaTite™ Docking System
- 2-Function Pull-Down

STANDARD SPECIFICATIONS:

- 14" (356 mm) high, 6 11/16" (169 mm) long, spout swings 360°.
- Control mechanism shall be the diamond coated ceramic cartridge.
- Lever handle. Control shall return to neutral position when faucet is turned off.
- Touch-Clean® 2 function (stream/spray) sprayhead.
- MagnaTite™ docking system secures sprayer to spout.
- 3/8" O.D. straight, staggered pex supply tubes - 36 3/4" (933 mm) and 37 3/4" (959 mm) long.
- Finished handle button with red/blue graphics to indicate hot/cold temperature.
- Integral double check valves in sprayer assembly.
- Disposable hose lead to aid installation.

WARRANTY

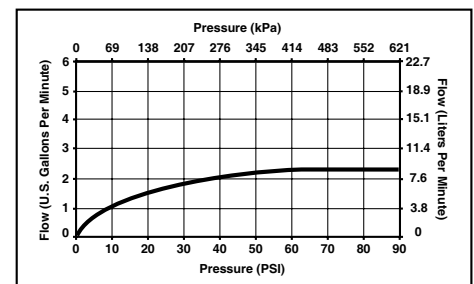
- Lifetime Faucet and Finish Limited Warranty to the original consumer purchaser to be free from defects in material and workmanship.
- 5 Year Limited Warranty for usage in all industrial, commercial and business applications.



COMPLIES WITH:

- ASME A112.18.1 / CSA B125.1
- Indicates compliance to
 ICC/ANSI A117.1
- CSA Certified

Verified compliant with .25% weighted average Pb content regulations



55 E. 111th Street, Indianapolis, Indiana 46280
 395 Matheson Blvd. E., Mississauga, ON L4Z 2H2
 © 2009 Masco Corporation of Indiana

Delta reserves the right (1) to make changes in specifications and materials, and (2) to change or discontinue models, both without notice or obligation. Dimensions are for reference only. See current full-line price book or www.specselect.com for finish options and product availability.