



LIGHTING

FLUSH-MOUNT CEILING LIGHT

Dimensions: 14-1/2D x 7-1/8H

Product Codes:

DELBAFMLGTBN (brushed nickel)

DELBAFMLGTCP (polished chrome)

DELBAFMLGTORB (oil rubbed bronze)

DELBAFMLGTBB (brushed brass)

DELBAFMLGTPN (polished nickel)

- Uses two 60W Medium A19 lamps max
- Mounting hardware include
- U.L. listed





LIGHTING

FLUSH-MOUNT CEILING LIGHT

Dimensions: 14-1/2" x 7-1/8"

Product Codes:

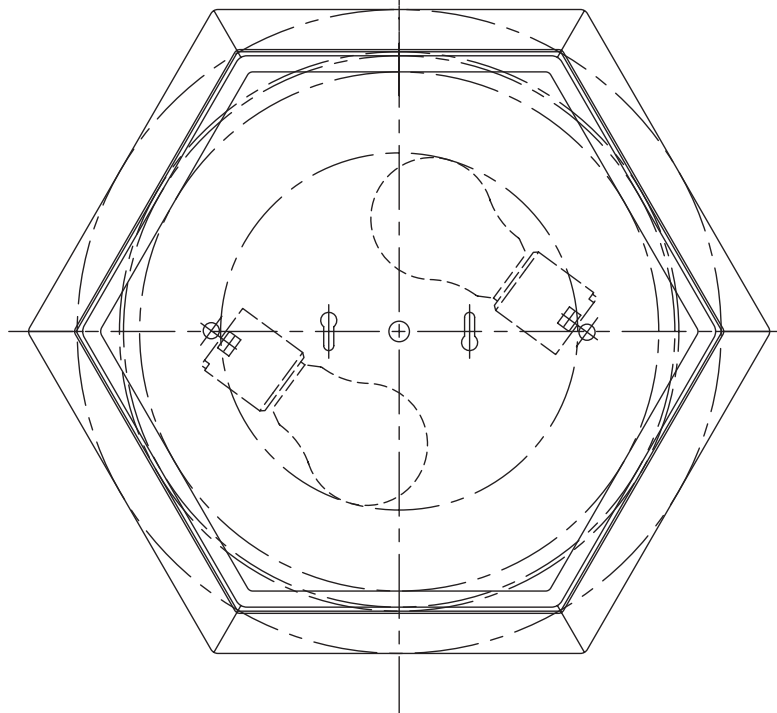
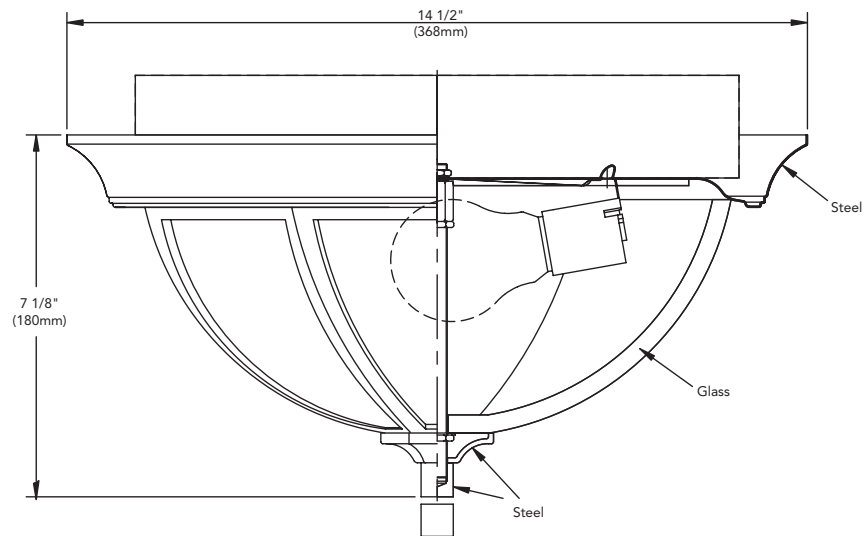
DELBAFMLGTBN (brushed nickel)

DELBAFMLGTCP (polished chrome)

DELBAFMLGTORB (oil rubbed bronze)

DELBAFMLGTBB (brushed brass)

DELBAFMLGTPN (polished nickel)



All dimensions are based on original specifications and are subject to change and variation.