

SPECIFICATIONS

OPULENCE™ TWO HANDLE BAR & CONVENIENCE FAUCET

Model

D153557 (Replaces D153057 series)

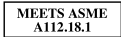
Description

- Ceramic disc valve
- 10" high swivel spout, 6 1/4" spout length
- 2 hole mount

Standards



- UPC/cUPC
- NSF 61-9
- Energy policy act of 1992



- ASME A112.18.1



- CSA B125



- Meets CA AB-1953

Less than 0.25% lead content

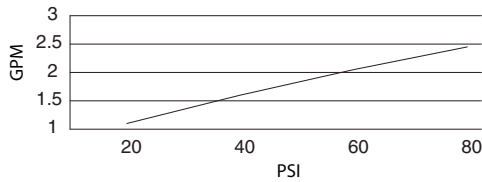


- ADA Accessibility Guidelines for Buildings and Facilities - 4.27.4 Controls and Mechanisms

Warranty

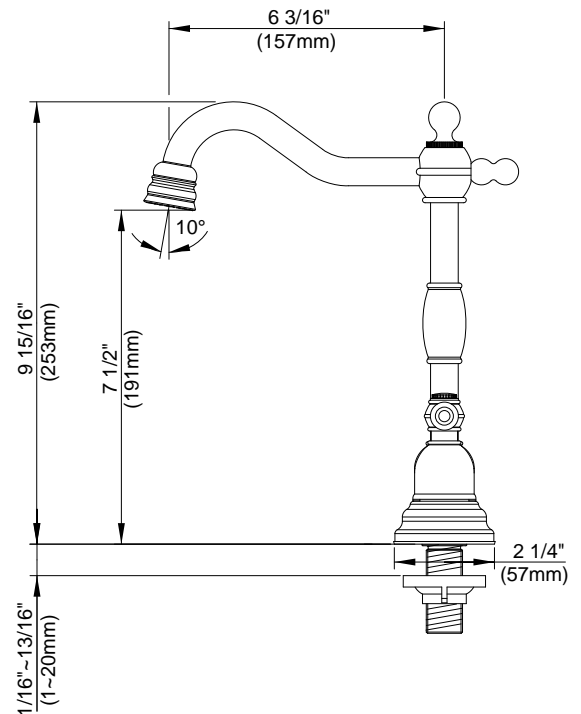
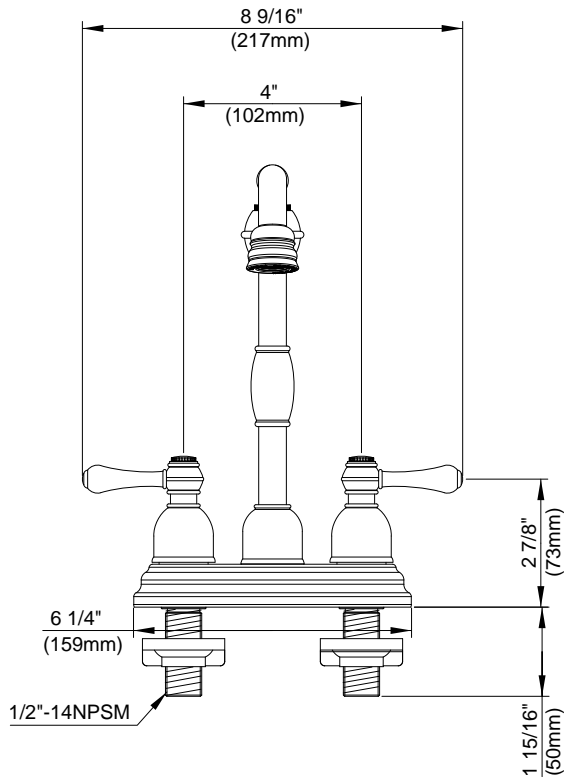
Danze products are covered by a manufacturer's limited "lifetime" warranty for manufacturing defects.

Flow Rate



Finishes Available

- Chrome
- Other: Refer to Price List for additional finish



Submittal Information:

Job Name: _____
 Contractor: _____

Location: _____
 Contact #: _____