

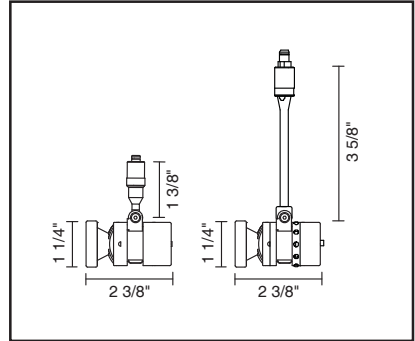
# INSTALLATION AND WIRING DIAGRAM

USA

## LEDRA SERIES LEDS

### LEDRA™ II

ART. NO.	135 711/s	white, 10°, 1 3/8" stem	135 711bz/fl	bronze, warm white, 45°, 1 3/8" stem	135 713-1/fl	warm white, 45°, 3 5/8" stem
	135 711bz/s	bronze, white, 10°, 1 3/8" stem	135 713/s	white, 10°, 3 5/8" stem	135 713-lbz/fl	bronze, warm white, 45°, 3 5/8" stem
	135 711/m	white, 30°, 1 3/8" stem	135 713bz/s	bronze, white, 10°, 3 5/8" stem		
	135 711bz/m	bronze, white, 30°, 1 3/8" stem	135 713/m	white, 30°, 3 5/8" stem		
	135 711/fl	white, 45°, 1 3/8" stem	135 713bz/m	bronze, white, 30°, 3 5/8" stem		
	135 711bz/fl	bronze, white, 45°, 1 3/8" stem	135 713fl	white, 45°, 3 5/8" stem		
	135 711-l/s	warm white, 10°, 1 3/8" stem	135 713bz/fl	bronze, white, 10°, 3 5/8" stem		
	135 711-lbz/s	bronze, warm white, 10°, 1 3/8" stem	135 713-l/s	warm white, 10°, 3 5/8" stem		
	135 711-l/m	warm white, 30°, 1 3/8" stem	135 713-lbz/s	bronze, warm white, 10°, 3 5/8" stem		
	135 711-lbz/m	bronze, warm white, 30°, 1 3/8" stem	135 713-l/m	warm white, 30°, 3 5/8" stem		
	135 711-l/fl	warm white, 45°, 1 3/8" stem	135 713-lbz/m	bronze, warm white, 30°, 3 5/8" stem		



## ! IMPORTANT SAFETY INSTRUCTIONS !

1. THIS PRODUCT MUST BE INSTALLED BY A PERSON FAMILIAR WITH THE CONSTRUCTION AND OPERATION OF THE PRODUCT AND THE HAZARDS INVOLVED, IN ACCORDANCE WITH THE LOCAL NEC CODE.
2. Save these instructions and refer to them when additions to or changes to the fixture are made.
3. Do not install this fixture in damp or wet locations.
4. CAUTION - Do not install any fixture assembly closer than 6 inches from any curtain, or similar combustible material.
5. Turn off power prior to any work on the system.
6. Turn off power prior to any work on the systems.
7. Warranty is void in case of unauthorized modifications and/ or improper use.
8. May only be used with magnetic transformers.

## READ ALL OF THESE INSTALLATION INSTRUCTIONS BEFORE INSTALLING THE FIXTURE

### Contents of Delivery: LEDRA II - qty. (1)

**Step 1**  
 - Mount the fixture to the canopy or adaptor by plugging in the Uni-Plug. The Uni-Plug will 'click' when properly inserted. Turn the retaining collar to complete the installation (see diagram).

**Step 2**  
 - Dimming the Ledra II can be done with the dimming buttons on the back of the fixture head. Press the left button to increase the light output and the right button to dim. Each press of the buttons will increase or decrease the light output by approximately 2.7%.

