

## SYSTEM CARE

For more assistance with technical questions please call our technical support staff at (714) 259-9959. You can also contact us by email at [info@brucklightingsystems.com](mailto:info@brucklightingsystems.com).

### TROUBLESHOOTING

Q. My system shuts off after extended use and the driver is constantly tripping; is it defective?

A. Improper installation is the most common reason for system malfunction.

Check the following areas carefully:

- Check the wiring of the power cables to your driver (see driver installation instructions).
- Make sure **ALL** connections are clean and tight to avoid electrical arcing. This includes power feeds, power cable connections, etc.
- The total load (in Watts) for the system must not exceed the driver's load capacity.

### CLEANING

Turn off power to the system before performing any maintenance on the system. The track, fixtures, and components can be wiped off with a damp cloth to clean from dust.

## BRUCK LIGHTING SYSTEMS LIMITED WARRANTY

Merchandise is manufactured according to our high standards and is warranted to be free from defects in material and workmanship for one (1) year from date of delivery. During this period we will, at our option, repair or replace, free of charge such merchandise that proves to be defective. This warranty does not apply to products damaged due to accident, tampering, misuse, abuse or abnormal usage and in no event shall Bruck's obligation under warranty extend beyond the initial cost of products. This warranty does not cover cost, if any, of reinstallation of products serviced under this warranty.

# BRUCK.

BRUCK LIGHTING SYSTEMS INC.  
15774 Gateway Circle, Tustin, CA 92780  
PH (714) 259-9959 FAX (714) 259-9969

[WWW.BRUCKLIGHTING.COM](http://WWW.BRUCKLIGHTING.COM)



# BRUCK.

## Ledra Track Operation & Maintenance Manual



### IMPORTANT SAFETY INSTRUCTIONS



1. **SAVE THESE INSTRUCTIONS AND REFER TO THEM WHEN ADDITIONS TO OR CHANGES IN THE TRACK CONFIGURATION ARE MADE.**
2. **THIS PRODUCT MUST BE INSTALLED BY A PERSON FAMILIAR WITH THE CONSTRUCTION AND OPERATION OF THE PRODUCT AND THE HAZARDS INVOLVED, IN ACCORDANCE WITH LOCAL AND NATIONAL CODE.**
3. **Do not** install this track in damp or wet locations.
4. **Do not** install any part of the track less than 7 feet above the floor.
5. **CAUTION - Do not** install any fixture assembly closer than 6 inches from any curtain, or similar combustible material.
6. **Turn off power** prior to any work on the systems.
7. **Do not** attempt to energize anything other than lighting track fixtures specified for use with the LEDRA system.
8. **To reduce the risk of fire and electric shock, do not attempt to connect power tools, extension cords, appliances, and the like to the track.**
9. This track system **MUST BE HARD WIRED**. For all the wire connections, use **Listed Wire Nuts**.
10. No circuit is to exceed driver capacity.
11. Secondary **connections must be clean and tight** to avoid arcing and overheating!
12. Warranty is void in case of unauthorized modifications and/ or improper use.

**READ ALL OF THESE INSTALLATION INSTRUCTIONS BEFORE INSTALLING THE SYSTEM**

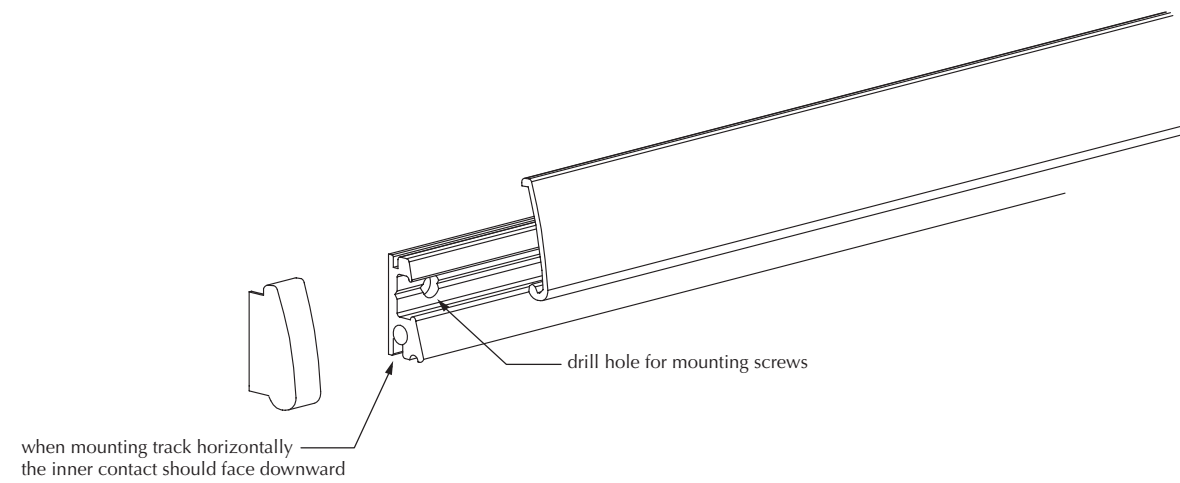
BRUCK LIGHTING SYSTEMS INC. 15774 Gateway Circle, Tustin, CA 92780 PH (714) 259-9959 FAX (714) 259-9969

[WWW.BRUCKLIGHTING.COM](http://WWW.BRUCKLIGHTING.COM)



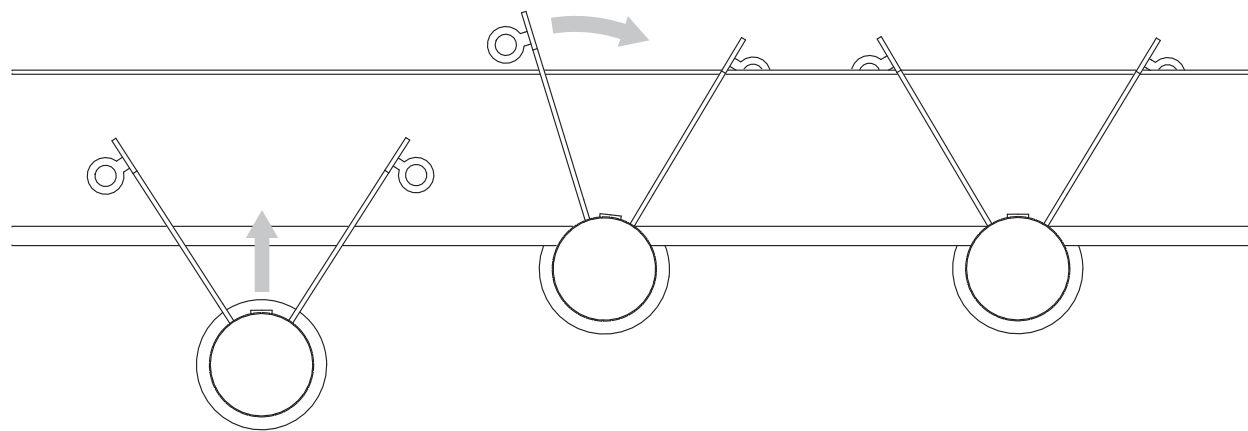
## LEDRA TRACK

Track may be flush mounted to any flat surface. A mounting screw should be placed every foot.



## COMPONENT ATTACHMENT

All LEDRA Track elements feature an integrated V-Clip for tool-less attachment. Squeeze the V-Clip together and release to lock the component to the track.



## POWER SUPPLY

The 25W driver can power up to 6 fixtures on the LEDRA track; the 60W driver can power up to 14 fixtures. Connect the black wire from the power feed to the negative terminal and the clear wire to the positive terminal. The ideal location for the power feed is in the middle of the track.

