



Job Name:

Contact:

Fixture Type:

Part Number:

**RAINBOW II LED SCONCE**

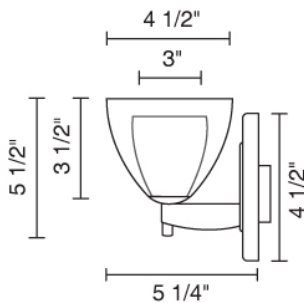
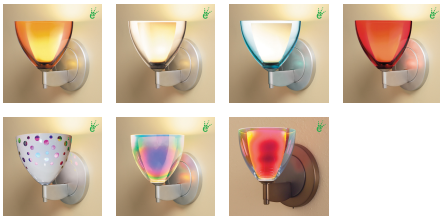


**Description:**

The Rainbow II wall sconce comes with a 3 Watt LED that may be mounted as an up-light or a down light. The metal canopy and stem is available in bronze, polished chrome, and matte chrome plating. 3 Watt LED and driver is included.

**Part Numbers:**

- 102725bz** bronze, orange glass
- 102725ch** chrome, orange glass
- 102725mc** matte chrome, orange glass
- 102726bz** bronze, smoky glass
- 102726ch** chrome, smoky glass
- 102726mc** matte chrome, smoky glass
- 102728bz** bronze, turquoise glass
- 102728ch** chrome, turquoise glass
- 102728mc** matte chrome, turquoise glass
- 102729bz** bronze, red glass
- 102729ch** chrome, red glass
- 102729mc** matte chrome, red glass
- 102816bz** bronze, retro white glass
- 102816ch** chrome, retro white glass
- 102816mc** matte chrome, retro white glass
- 102817bz** bronze, retro black glass
- 102817ch** chrome, retro black glass
- 102817mc** matte chrome, retro black glass
- 102916bz** bronze, dichroic rainbow glass
- 102916ch** chrome, dichroic rainbow glass
- 102916mc** matte chrome, dichroic rainbow glass
- 102919bz** bronze, dichroic sunrise glass
- 102919ch** chrome, dichroic sunrise glass
- 102919mc** matte chrome, dichroic sunrise glass



**Technical Specs:**

- 100-240V AC, 50/60Hz input
- 700mA DC constant current output
- 6VA, 3W for 1 (3 Watt LED)
- Warm White source of 150 lumens
- Suitable for dry locations only
- Mount to 3 1/2" - 4" round J-box
- Short circuit protection

Overload protection

Thermal protection

**Warranty:**

All 3 Watt LED fixtures are warranted to be free from defects in material and workmanship for three (3) years from date of delivery.

For full warranty details, please see our terms and conditions [here](#)