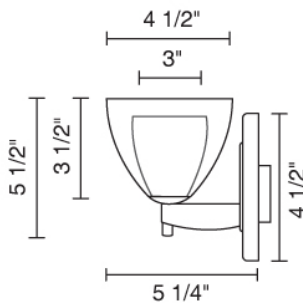
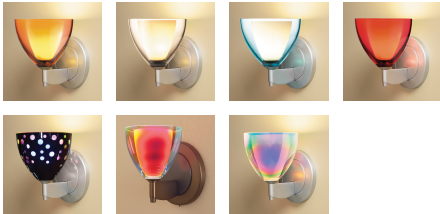


RAINBOW II SCONCE



Description:

The Rainbow II wall sconce may be mounted as an up-light or a down-light. The metal canopy and stem is available in bronze, polished chrome, and matte chrome plating. A 75W dimmable electronic transformer is included on the mounting plate.

Part Numbers:

100725bz	bronze, orange glass
100725ch	chrome, orange glass
100725mc	matte chrome, orange glass
100726bz	bronze, smoky glass
100726ch	chrome, smoky glass
100726mc	matte chrome, smoky glass
100728bz	bronze, turquoise glass
100728ch	chrome, turquoise glass
100728mc	matte chrome, turquoise glass
100729bz	bronze, red glass
100729ch	chrome, red glass
100729mc	matte chrome, red glass
100816bz	bronze, retro white glass
100816ch	chrome, retro white glass
100816mc	matte chrome, retro white glass
100817bz	bronze, retro black glass
100817ch	chrome, retro black glass
100817mc	matte chrome, retro black glass
100916bz	bronze, dichroic rainbow glass
100916ch	chrome, dichroic rainbow glass
100916mc	matte chrome, dichroic rainbow glass
100919bz	bronze, dichroic sunrise glass
100919ch	chrome, dichroic sunrise glass
100919mc	matte chrome, dichroic sunrise glass

Technical Specs:

120V AC, 50/60Hz input

11.7V AC output

50VA, 49W for 1 (maximum 50 Watt lamp)

GY6.35 socket

Suitable for dry locations only

Mount to 3 1/2" - 4" round J-box

Short circuit protection

Overload protection
Thermal protection
Dimmable