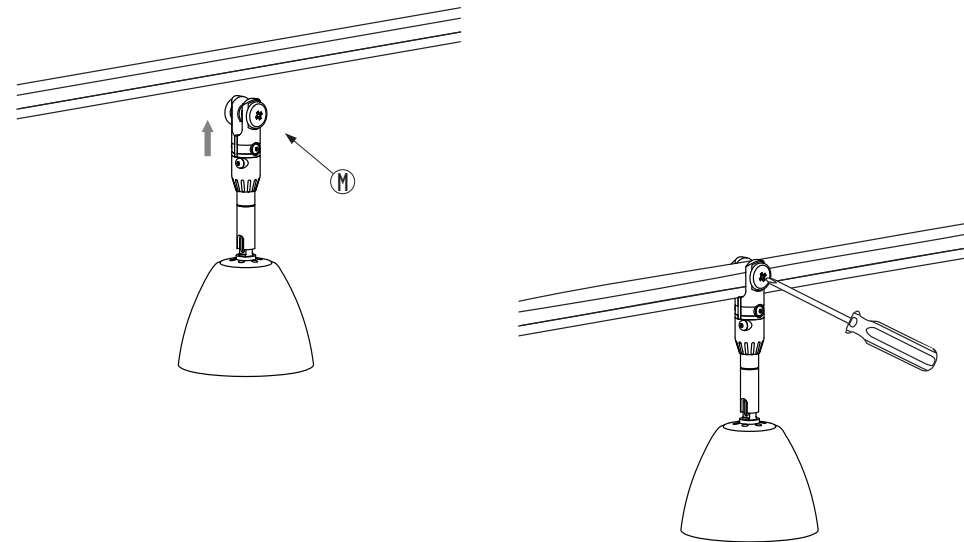


Step 4 Installing Pira II

- Place fixtures onto Enzis track.
- Secure by tightening thumb screws (M) with phillips head screwdriver, #3 is the recommended size to use.

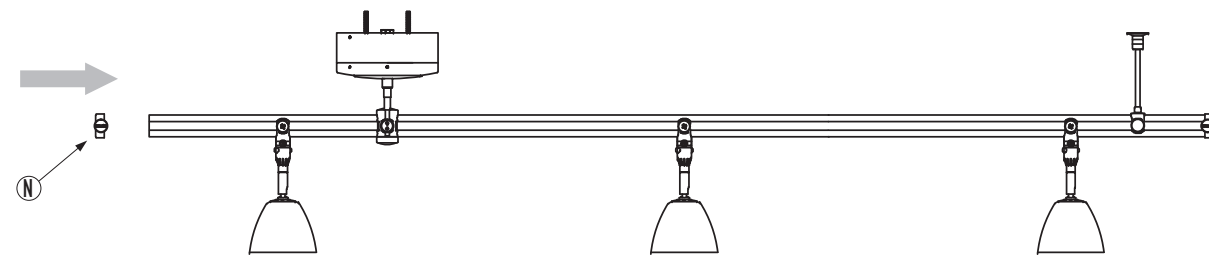


NOTE

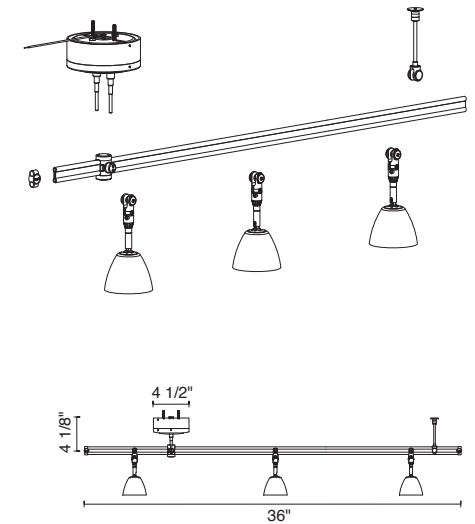
Do not exceed 50W per fixture

Step 5 End Cap

- Place end caps (N) on to track to complete track installation.



ENZIS SYSTEM KIT 150W MAX



IMPORTANT SAFETY INSTRUCTIONS



1. THIS PRODUCT MUST BE INSTALLED BY A PERSON FAMILIAR WITH THE CONSTRUCTION AND OPERATION OF THE PRODUCT AND THE HAZARDS INVOLVED, IN ACCORDANCE WITH LOCAL NEC CODE.
2. FOR USE WITH ENZIS RAIL NETWORK ONLY.
3. The Enzis rail system is not intended for use with a power supply cord or convenience receptacle adaptor. This rail system is to be supplied by Bruck Lighting.
4. Do not install this rail in damp or wet locations.
5. Do not install any part of a rail system less than 5 feet above the floor.
6. Do not install any fixture assembly closer than 6 inches from any curtain, or similar combustible material.
7. Disconnect electrical power before adding to or changing the configuration of the rail.
8. Do not attempt to energize anything other than lighting fixtures on the rail. To reduce the risk of fire and electric shock, do not attempt to connect power tools, extension cords, appliances, and the like to the rail.
9. This track system MUST BE HARD WIRED. For all the wire connections, use Listed Wire Nuts.
10. Do not connect a rail to more than one circuit unless the rail is constructed so that it can be used with more than one circuit. Check with a qualified electrician. Although the rail lighting system may seem to operate acceptably, a dangerous overload of the neutral may occur and result in a risk of fire.
11. Secondary connections must be clean and tight to avoid arcing and overheating!
12. Power Feed must be 3 inches away from any support
13. Warranty is void in case of unauthorized modifications and/ or improper use.

READ ALL OF THESE INSTALLATION INSTRUCTIONS BEFORE INSTALLING

ENZIS PART NUMBER

340 036bz	bronze, 36", 3 Pira II fixtures
340 036mc	matte chrome, 36", 3 Pira II fixtures
340 038bz	bronze, 36", 3 Tikus fixtures
340 038mc	matte chrome, 36", 3 Tikus fixtures

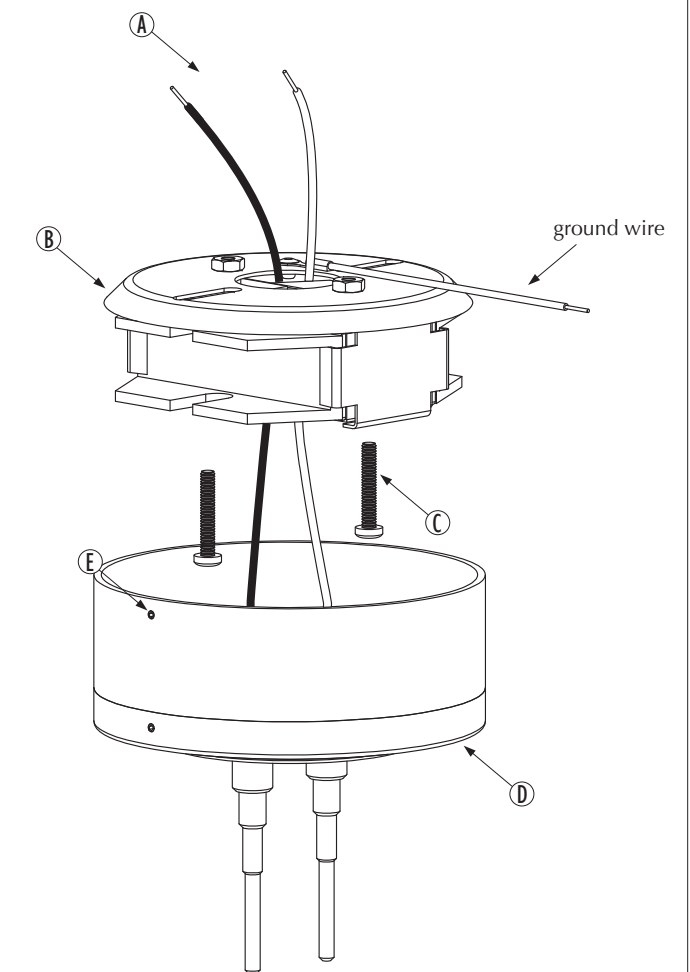
INSTRUCTIONS

System Includes

- Enzis 150W electronic transformer
- Enzis 36" track
- Enzis Pira II fixture 3 pcs/ or
- Enzis Tikus fixture 3 pcs
- Enzis ceiling support 1 pcs
- Enzis end caps 2 pcs
- 50W MR16 36° lamps 3 pcs

Step 1 Mounting The Transformer And Canopy

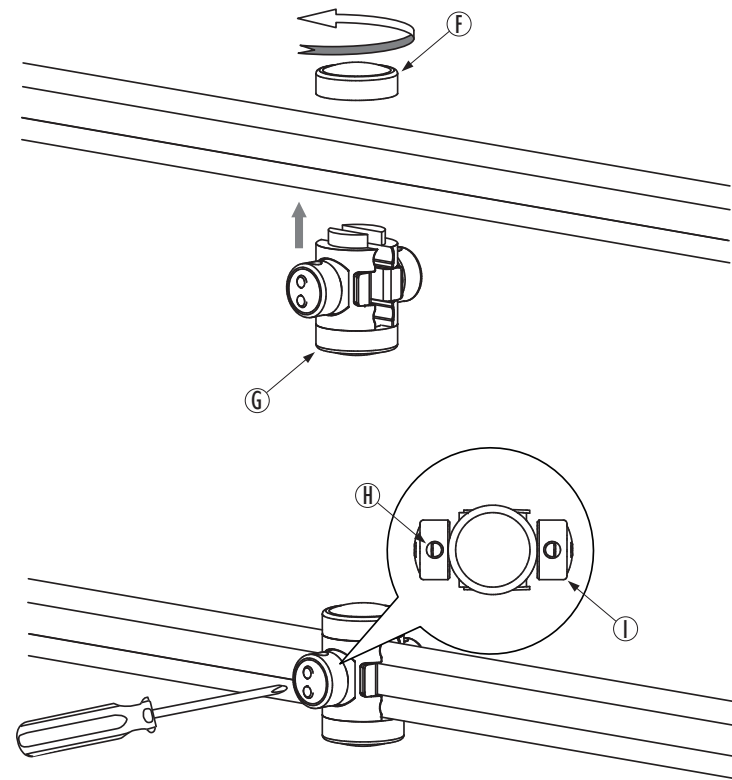
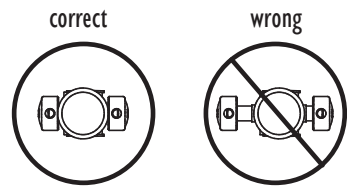
- Connect the wires (A) from the canopy to the power supply cables from the transformer.
- Ground wire should be grounded in accordance with local electrical codes.
- Insert the screws (C) through the mounting plate (B) and secure to ceiling J-box.
- Place the cover (D) over the mounting plate (B) and secure it with two allen screws (E) located on the side of the base.



Step 2 Installing Power Feed

- Remove power feed cap (F) push power feed body (G) onto track.
- In location of transformer, screw power feed cap (F) onto the power feed body (G).
- Insert screw driver into power feed through hole (H) on the contact screws (I) and tighten only until they make full contact with flat wire. Each contact screw (I) must be equally offset on both sides of the track.
- Make a final turn on each contact screw (I) until the through holes (H) are in a vertical position.

CAUTION: OVERTIGHTING WILL STRIP THE THREADS ON THE POWER FEED AND CAUSE POOR CONTACT RESULTING IN OVERHEATING AND FAILURE OF SYSTEM.

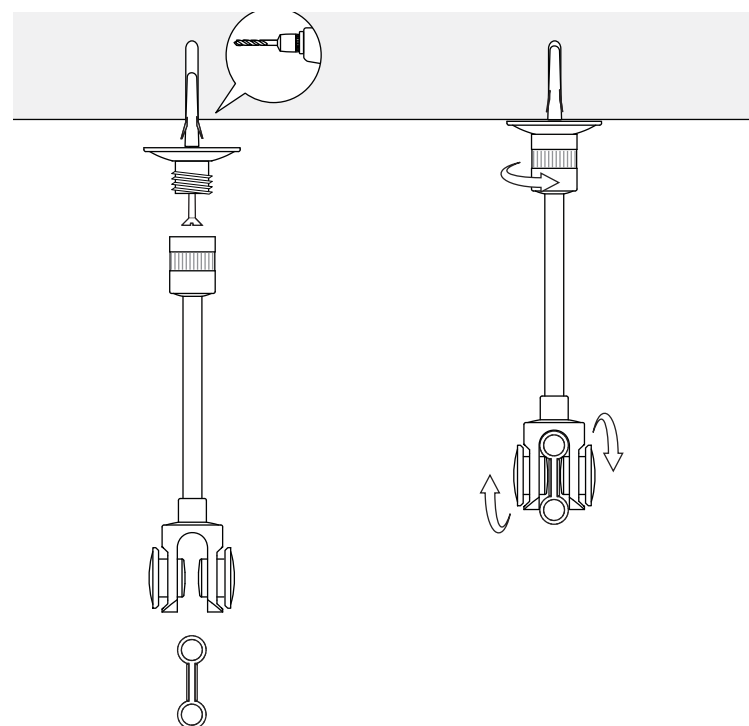


Step 3 Installing Supports

- Use planning grid to decide all mounting locations prior to installation.
- Mark position of support and drill a hole to accommodate anchors or inserts.*
- Unscrew the base from the support and mount it to the ceiling with the screw.*
- Screw the support back onto the base. Rotate the support so that it is in line with your track run.
- Loosen the thumb screws so that the Enzis track can be inserted.
- Tighten the thumb screws to complete the installation.

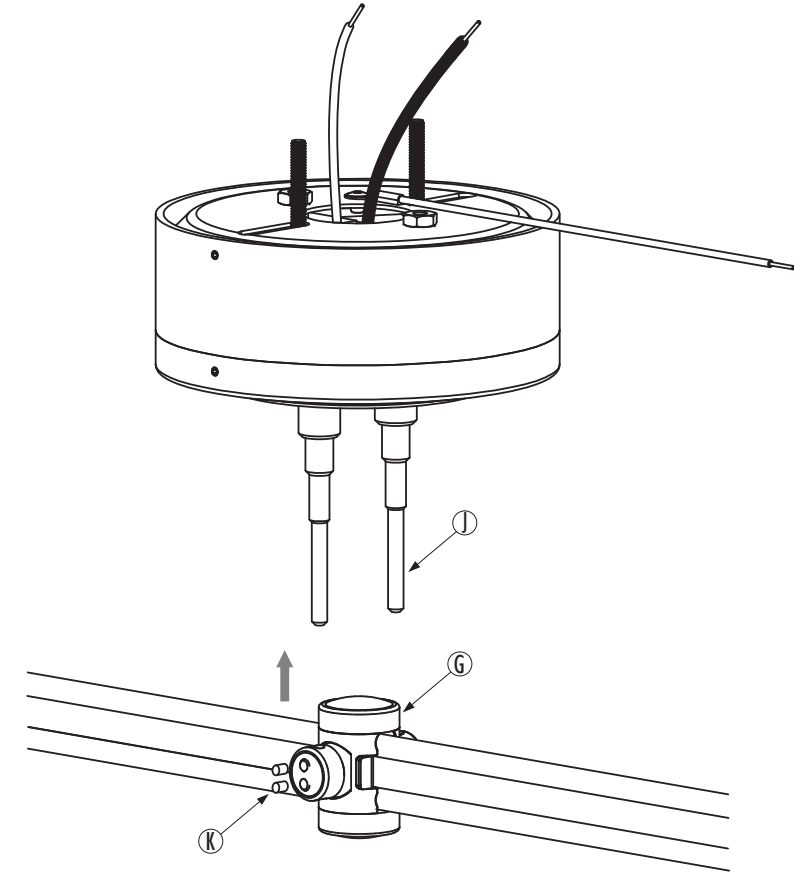
*Mounting hardware supplied may not be suitable for all installations.

Distance between transformer and supports must be less than 2'6" and more than 2'.



When turning on the system for the first time, turn off the system after 15 minutes and check ALL track and power connections for any heat.

- Slide holes (H) onto rod (J). Tighten set screws (K) to finish power feed installation to Enzis track.



To Remove The Power Supply

- Loosen the set screws (K) slide power feed and track off of power rods (J) and loosen the contact screws (I).
- With a flat tool, push back the contact plates (L) until it clears the track.
- Unscrew the power feed cap (F) and remove the power feed.

