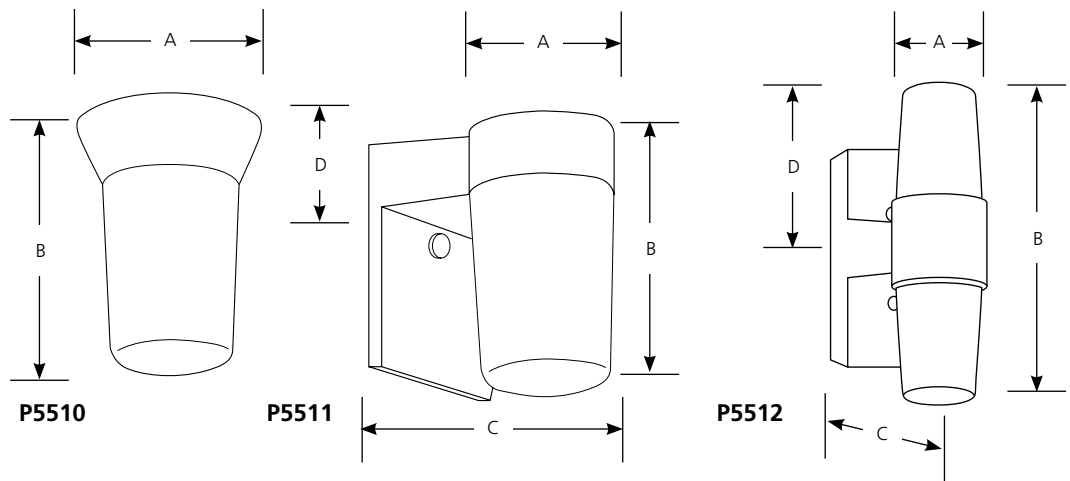


Catalog No.	Finish		Lamping	Mounting	Dimensions (Inches)			
	Satin Aluminum	Black			A	B	C	D
P5510	-16		1 (m) 60w	Wall or ceiling	4-3/4	6-3/4		
P5511	-16	-31	1 (m) 100w	Wall	4-1/2	6-3/4	5-7/8	3-1/4
P5512	-16		2 (m) 100w	Wall	4-1/2	13	6	6-1/2

Type	-16	-31
P5510	<input type="checkbox"/>	
P5511	<input type="checkbox"/>	<input type="checkbox"/>
P5512	<input type="checkbox"/>	



Specifications:

General

- White opal glass cylindrical diffuser
- Cast aluminum construction
- Threaded diffuser screws into housing
- Vapor proof gasket supplied between glass and housing
- Satin or Black Aluminum finish

Mounting

- Wall or ceiling mount (P5510)
- Wall mount (P5511)
- Wall horizontal or vertical mount (P5512)
- Back plate covers a standard 4" hexagonal recessed outlet box:
- P5510 - Outlet box strap provided, and unit has keyhole slots to mount to two screws in the strap
- P5511 - Outlet box strap provided for center lock up mounting

- P5512 - Can be mounted horizontally or vertically
- Outlet box strap provided for dual thumb nut mounting

Electrical

- Medium base porcelain socket(s) with nickel-plated brass screw shell
- Pre-wired

Labeling

- UL-CUL Wet location listed