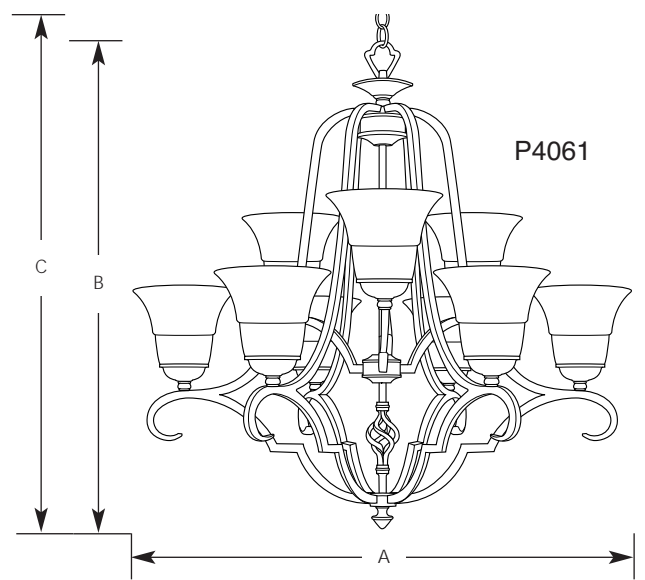
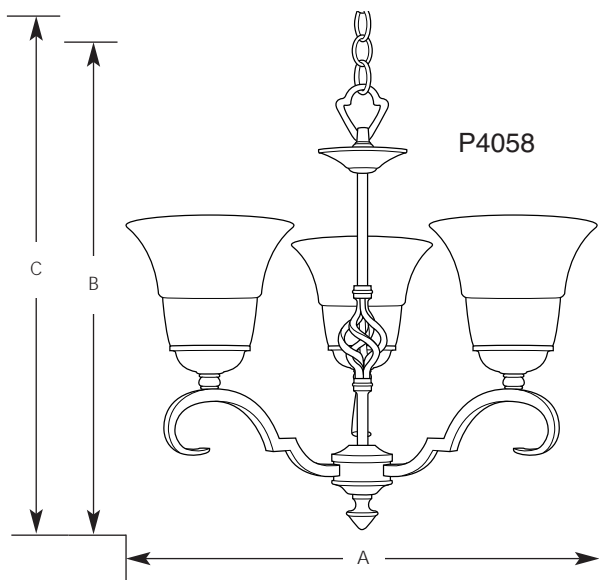


- Type _____
 -84
 P4058
 P4059
 P4060
 P4061

Catalog No.	Finish	Lamping	Dimensions (Inches)		
			A	B	C
P4058	-84	3 (m) 75w	19-3/4	18	93
P4059	-84	4 (m) 60w	19-3/4	15-7/8	91
P4060	-84	6 (m) 75w	28	27	102
P4061	-84	9 (m) 75w	31	31-1/2	106



Specifications:

General

- Etched watermark glass shades
- Twisted ball design in center column
- Square arm construction
- P4061 is a two tier (6/3) unit
- 6 feet of 9 gauge matching chain supplied
- Steel construction
- Hand painted espresso finish
- Companion wall bracket, chandeliers, pendants, hall & foyer, close to ceiling, and bath & vanity units

Mounting

- Chain hung ceiling
- Canopy covers a standard recessed 4" octagonal outlet box
- Mounting strap for outlet box included

Electrical

- 15 feet of wire
- Ceramic medium based sockets
- Threaded socket ring secures glass
- Pre-wired

Labeling

- UL-CUL listed